



佛山市盛迪金属制品有限公司  
FOSHAN SHENG DE METAL PRODUCTS CO. LTD



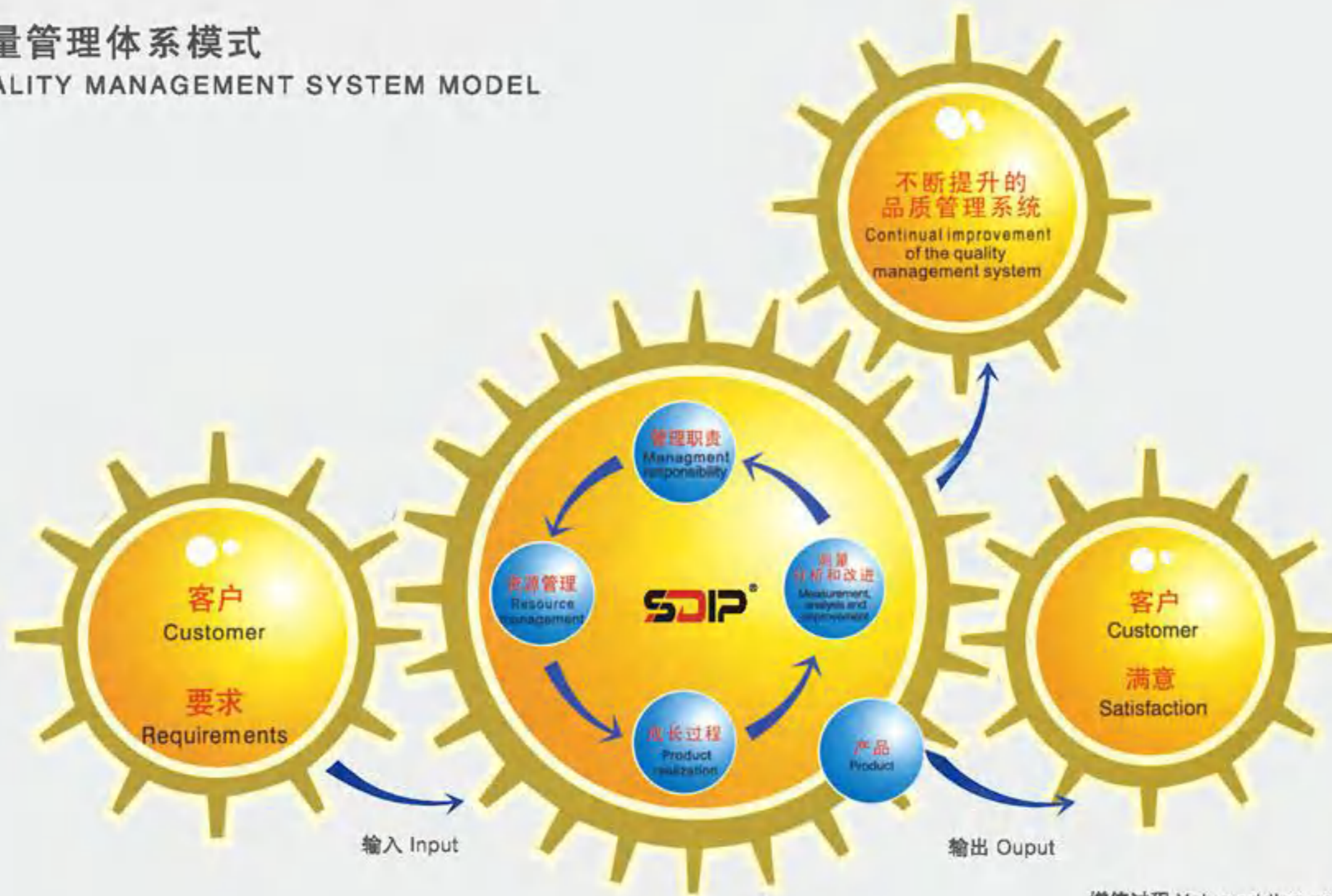
专业家居配套五金

# HARDWARE

Professional Furniture



● 质量管理体系模式  
QUALITY MANAGEMENT SYSTEM MODEL



增值过程 Value adding activities  
信息流 Information flow





## INTRODUCTION 公司简介

佛山市盛迪金属制品有限公司是一家专业研发、生产、销售高档家具电器铰链、滑轨家具装潢五金冲压配件的制造厂。经营品牌“**SDIP**”。公司拥有10000多平方米的生产厂房,生产设备精良,技术力量雄厚。拥有国内外先进的CNC数控加工中心、线切割机、自动化衡压设备。拥有一批专业设计、制造,管理的专业人才,用科学的管理方法降低成本,合理设计模具结构,在最大程度节约用料,竭力生产外型美观,使用方便,性能稳定,耐用的产品。我们所生产的产品通过盐水、盐雾48小时以上测试,加上适当的门重后开关80000次以上测试,检验合格,符合国家产品质量检验标准QB/T 2189-1995(家具五金杯状暗铰链及其安装底座要求和检验)。通过ISO9001:2015.SGS等质量体系认证,公司将凭借先进的生产设备、严格的质量管理控制、优质的供销体系、完美的售后服务,来回报给予我们大力支持的新老客户。

本公司坚持以“立足质量,诚信待人”的经营原则,承蒙国内外业内人士对公司的鼎力支持与关注,生产业务蒸蒸日上,产品深受国内外市场欢迎。公司地处广东佛山顺德区勒流稔海工业区,交通便利。热忱欢迎国内外新老客户来人、来电洽谈业务。

Foshan shengdi metal products co., LTD. Is a professional research and development, production, sale of high grade furniture Electric appliance hinge, sliding rail furniture decoration hardware stamping accessories manufacturing plant. Operating the brand "**SDIP**". The company has more than 10000 square meters of production plant, the production equipment is superior, the technical force is abundant. We have advanced CNC machining center, wire cutting machine and automatic balance equipment. A large number of professional design, manufacturing, management professionals, with scientific management methods to reduce the cost, reasonable mould structure design, the maximum saving materials, to produce elegant, easy to use, stable performance, durable products. Our products by salt water, 48 hours salt spray test, combined with the appropriate gate after switch more than 80000 times to testing, inspection, accord with national product quality inspection standard QB/T 2189-2189 (Five golden cup shape dark furniture hinge and its mounting base requirements and testing). Passed ISO9001:2015.SGS and other quality system certification.The company will rely on advanced production equipment, strict quality management control, high quality supply and marketing system, perfect after-sales service, to give back to the new and old customers that we strongly support.

The company adhere to the "based on quality, the good faith treat people" business principles, the personage inside course of study at home and abroad to the company's support and attention, production business progresses day by day, products welcomed by domestic and foreign markets. The company is located in shunde district, foshan shunde, guangdong province, with convenient transportation. Warmly welcome new and old customers at home and abroad to come to negotiate business.

# CONTENTS 产品目录



**1-35**

新品热卖系列  
Best-selling New Arrivals Collection



**36-59**

家具家居滑轨系列  
Furniture Household Slide Track Series



**60-61**

工业滑轨系列  
Industrial Slide Rail Series



**62-78**

家具家居骑马抽系列  
Furniture Home Riding Series



**79-83**

家具家居铰链/配件系列  
Furniture & Home Hinges & Fittings Series



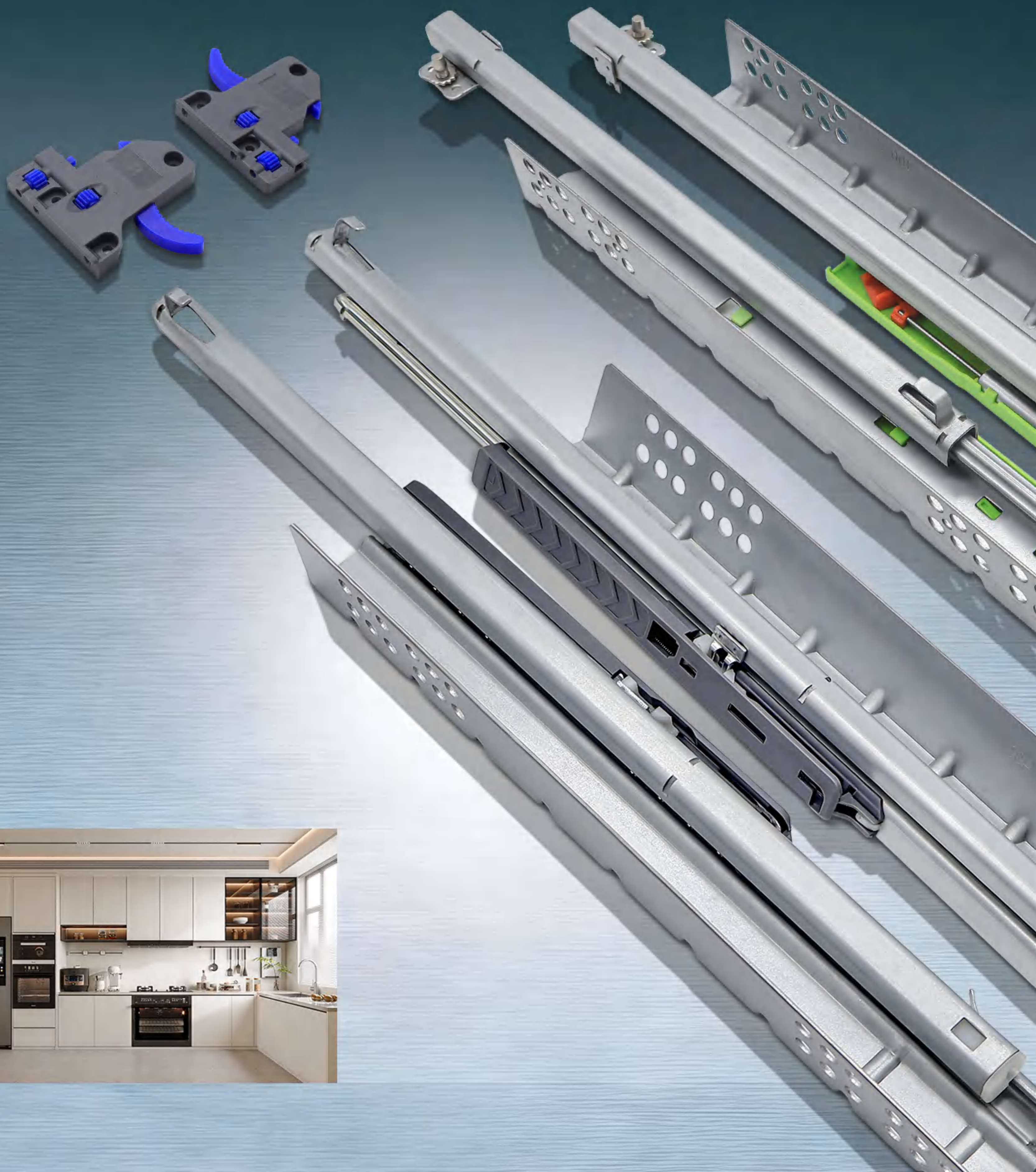
**84-87**

电器蒸烤箱铰链系列  
Electric Steam Oven Hinge Series

新品热卖系列

# NEW ARRIVALS

Best-selling Collection





# GB-V216B1 二节半拉出缓冲滑轨+钢板阻尼抽屉

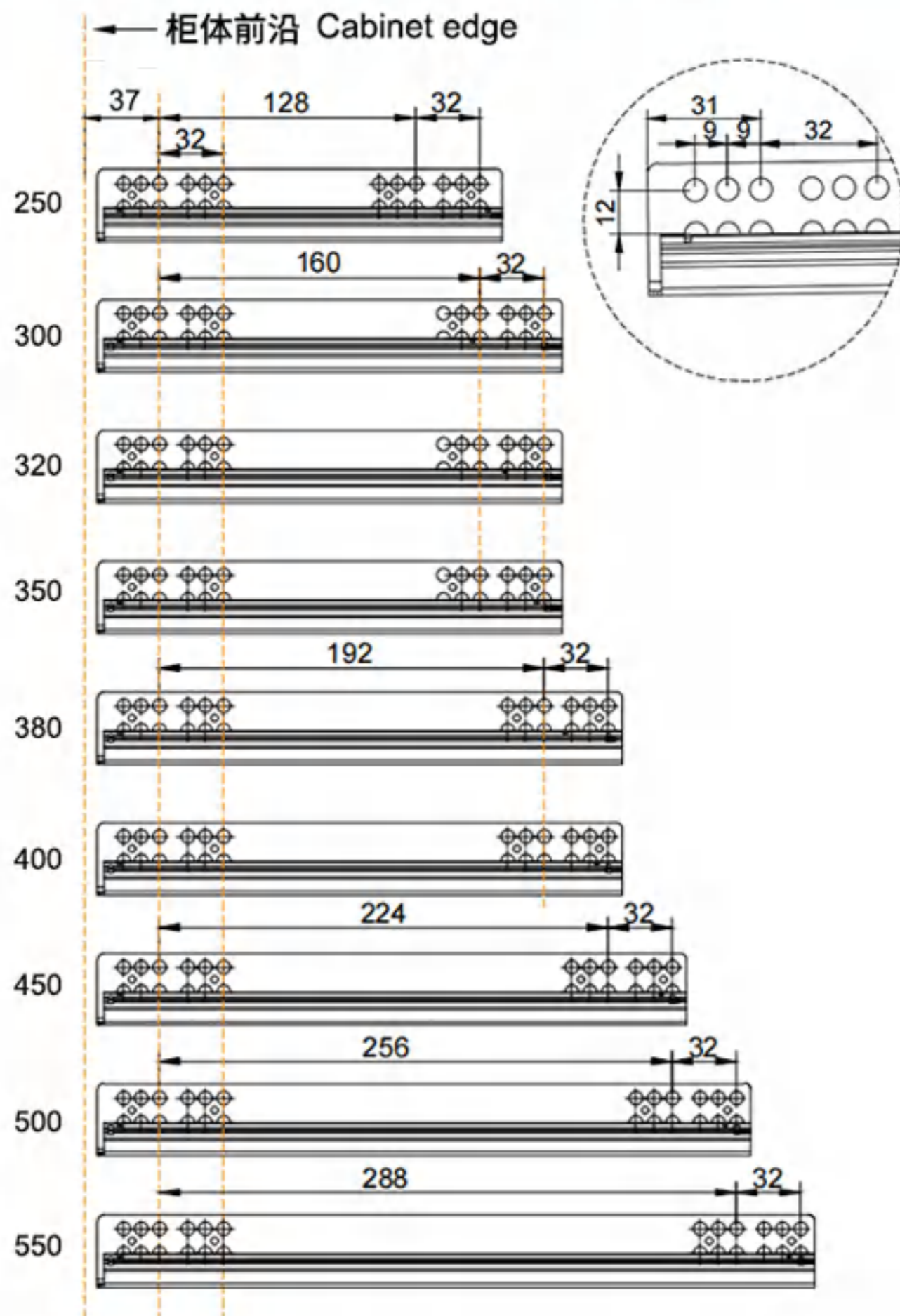
Pull out the buffer slide in two sections + Steel Damped Drawer

- 载重 20kg
- 表面: 镀锌
- 长度: 290-590mm
- 滑轨为半拉出式
- Load capacity of 35kg
- Surface: galvanized
- Length: 290-590mm
- Half-Extension
- 无需工具, 抽屉可快速安装和拆卸
- 静音系统保证滑动运动流畅、轻松
- 面板左右调节量0~+4mm
- 上下调节量0~+4mm
- Quick installation and removal
- Quiet and smooth movement
- Adjustment: left and right 0~ + 4mm
- up and down 0~ + 4mm

## 产品实图:



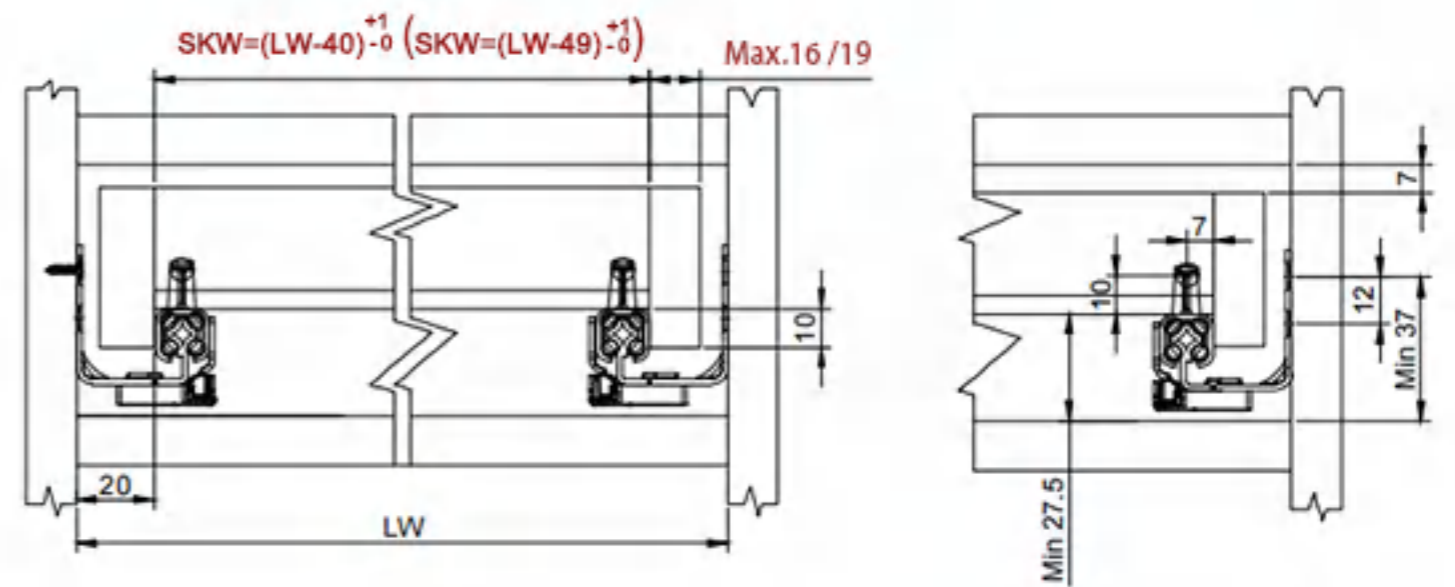
## 滑轨安装孔尺寸(mm) Installation hole size (mm)



## 柜体所需空间 Inner cabinet space requirement

适用于减尺16板 = 40mm 或 19板 = 49mm

Applicable for size deduction: 16mm panel=40mm( or 19mm panel=49mm)



## 抽屉高度尺寸(mm) Drawer height dimension (mm)

T=底板厚度

88款 T<19mm

128款 T<39mm

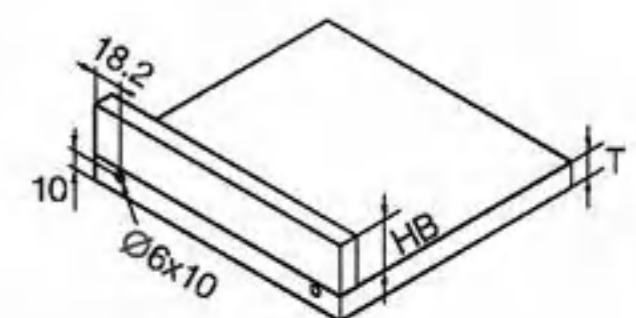
158款 T<54mm

HB=背板高度尺寸(mm)

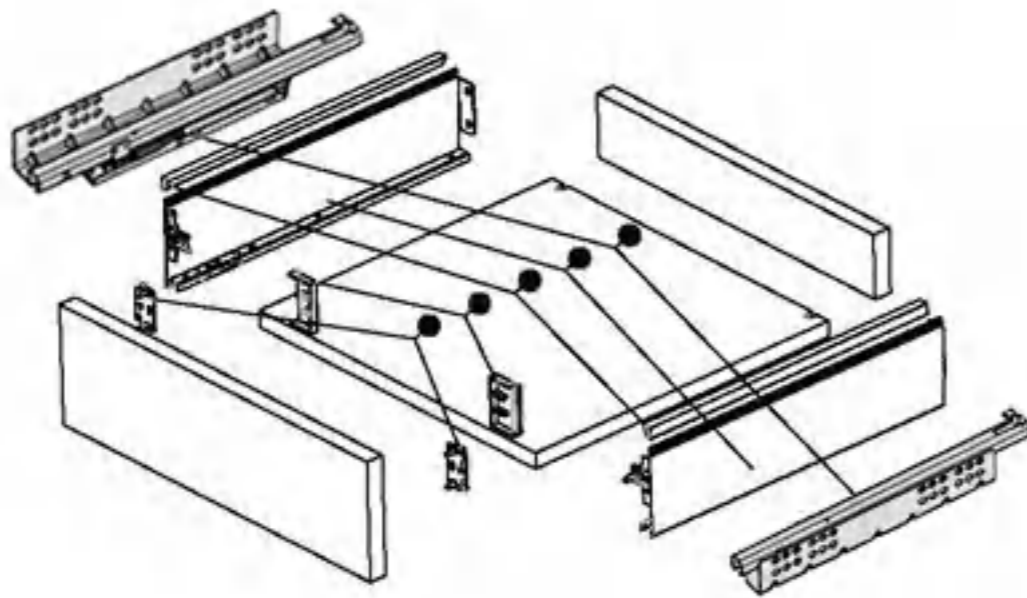
88款 HB=89-T

128款 HB=129-T

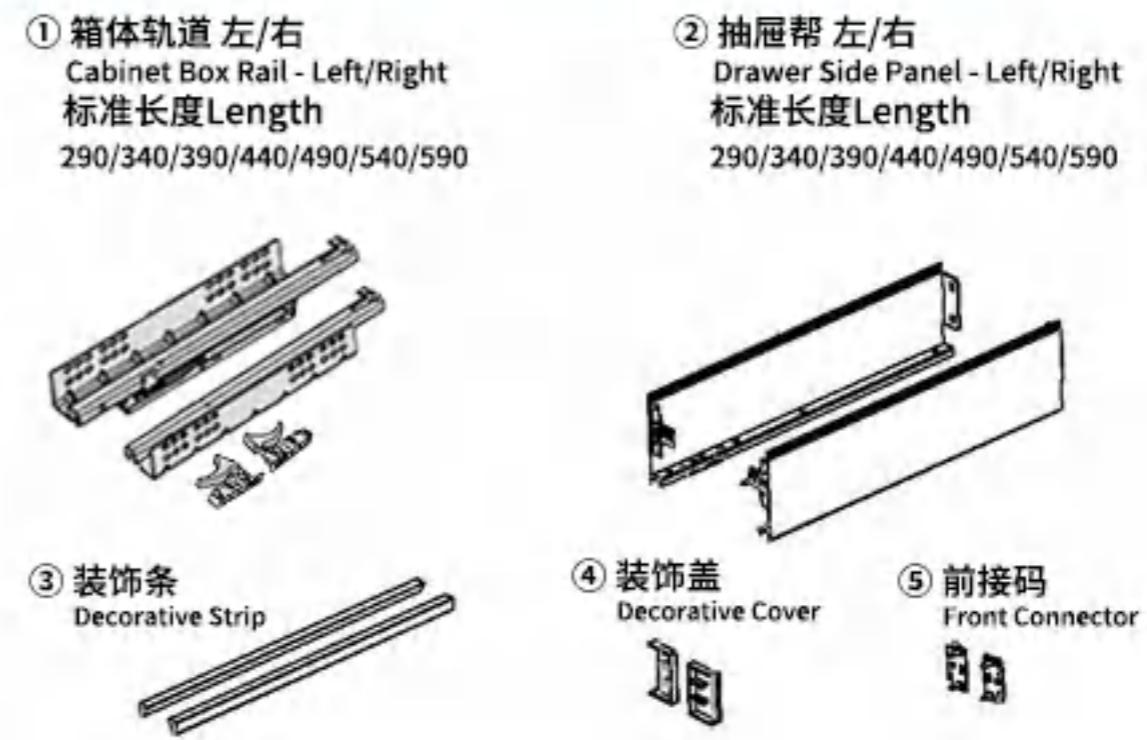
158款 HB=159-T



■ 独立包装配件 Installation dimension (mm)



■ 详细配件 Inside cabinet dimension (mm)

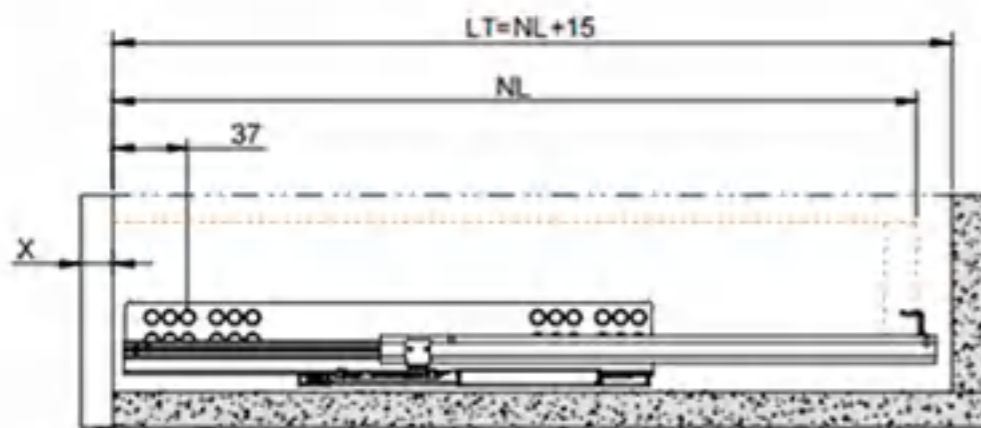


标称长度 Specification	订货号(阻尼抽屉) Order No(buffer)	套/箱 Sets/box
290mm	GBV216B1-88-290	10sets
340mm	GBV216B1-88-340	10sets
390mm	GBV216B1-88-390	10sets
440mm	GBV216B1-88-440	10sets
490mm	GBV216B1-88-490	10sets
540mm	GBV216B1-88-540	10sets
590mm	GBV216B1-88-590	10sets

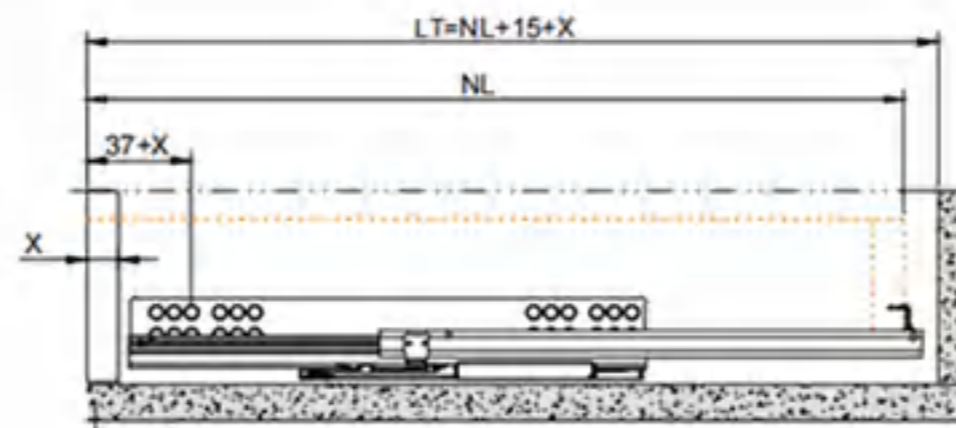
adjustment  
Up and down

标称长度 Specification	订货号(阻尼抽屉) Order No(buffer)	套/箱 Sets/box
290mm	GBV216B1-128-290	10sets
340mm	GBV216B1-128-340	10sets
390mm	GBV216B1-128-390	10sets
440mm	GBV216B1-128-440	10sets
490mm	GBV216B1-128-490	10sets
540mm	GBV216B1-128-540	10sets
590mm	GBV216B1-128-590	10sets

标称长度 Specification	订货号(阻尼抽屉) Order No(buffer)	套/箱 Sets/box
290mm	GBV216B1-158-290	10sets
340mm	GBV216B1-158-340	10sets
390mm	GBV216B1-158-390	10sets
440mm	GBV216B1-158-440	10sets
490mm	GBV216B1-158-490	10sets
540mm	GBV216B1-158-540	10sets
590mm	GBV216B1-158-590	10sets



外置抽屉 Standard drawer

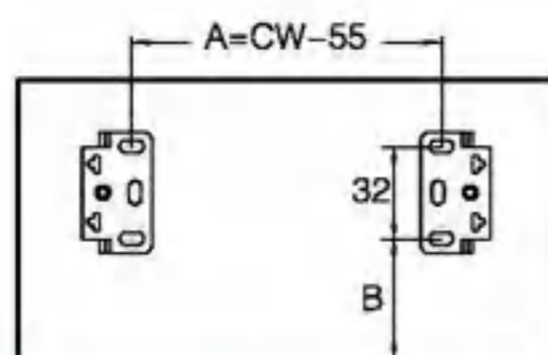


内置抽屉 Inner drawer

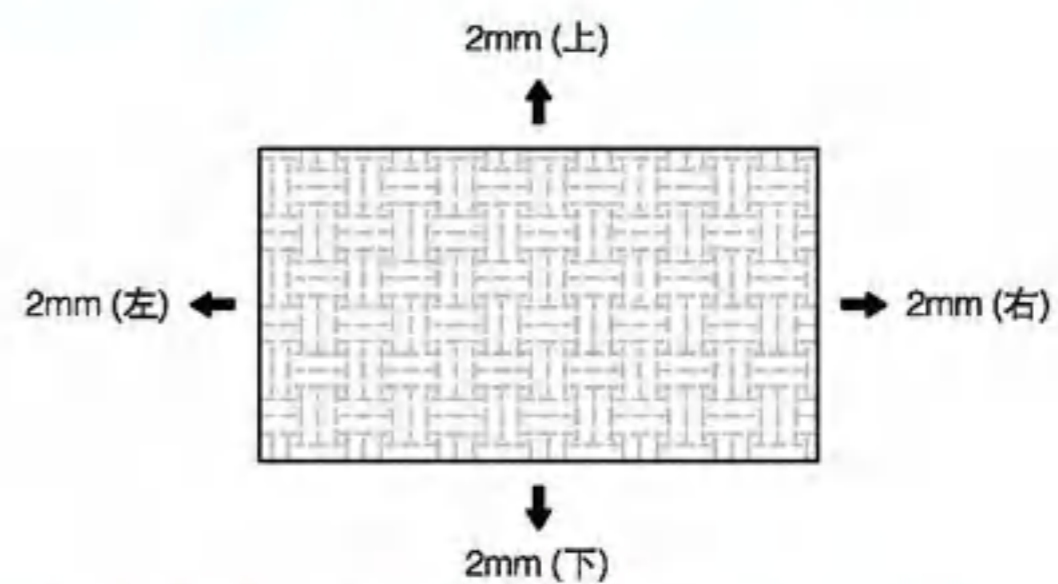
NL=滑轨标称长度  
NL=Nominal Slide Length  
LT=柜体内部深度  
LT=Cabinet Length  
LW=柜体内部宽度  
LW=Cabinet inner net width  
SKW=抽屉内部宽度  
SKW=Drawer inner net width

■ 前接码与面板安装尺寸(mm) Front connector (mm)

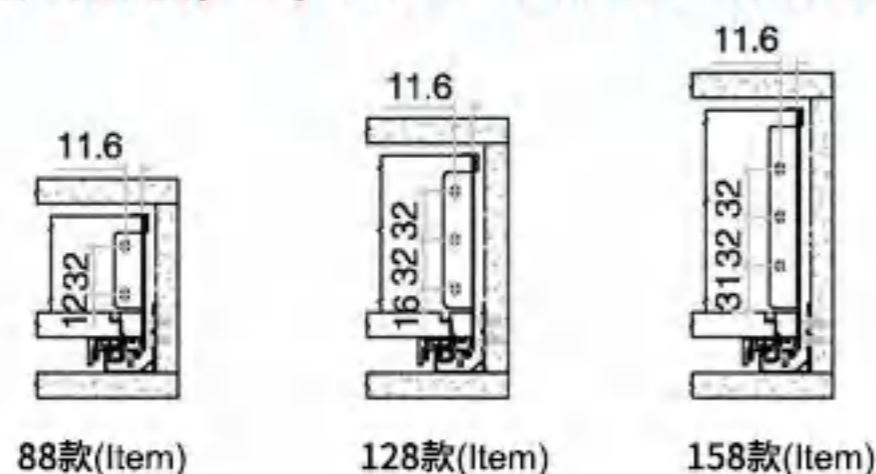
CW=柜体的内部宽度  
A=CW-55  
88款(Item) B>52mm  
128款(Item) B>72mm  
158款(Item) B>87mm



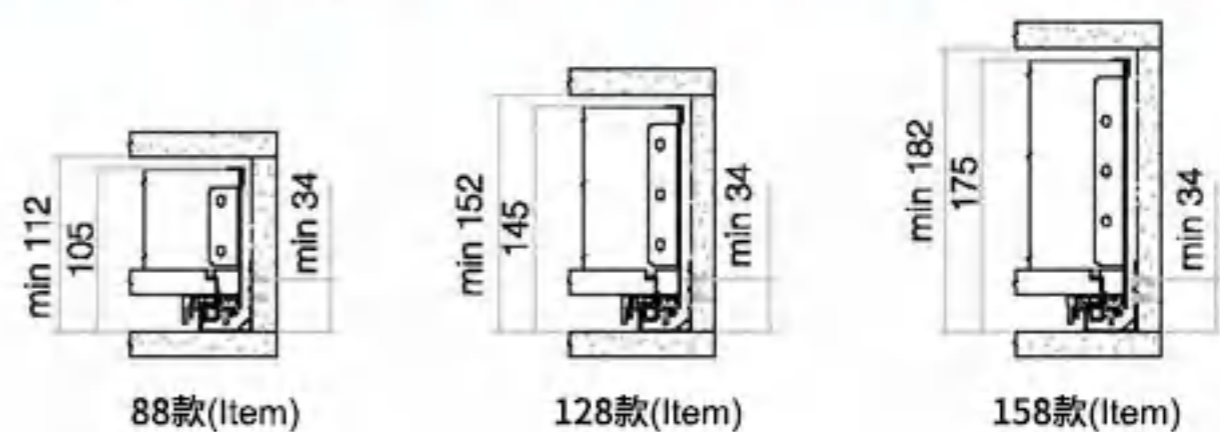
■ 前面板调节量(mm) Front panel adjustment (mm)



■ 柜体内所需高度(mm) Inside cabinet dimension (mm)



■ 背板安装尺寸(mm) Back panel mouting positions (mm)





# GB-V616B2 三节全拉出缓冲滑轨+钢板阻尼抽屉

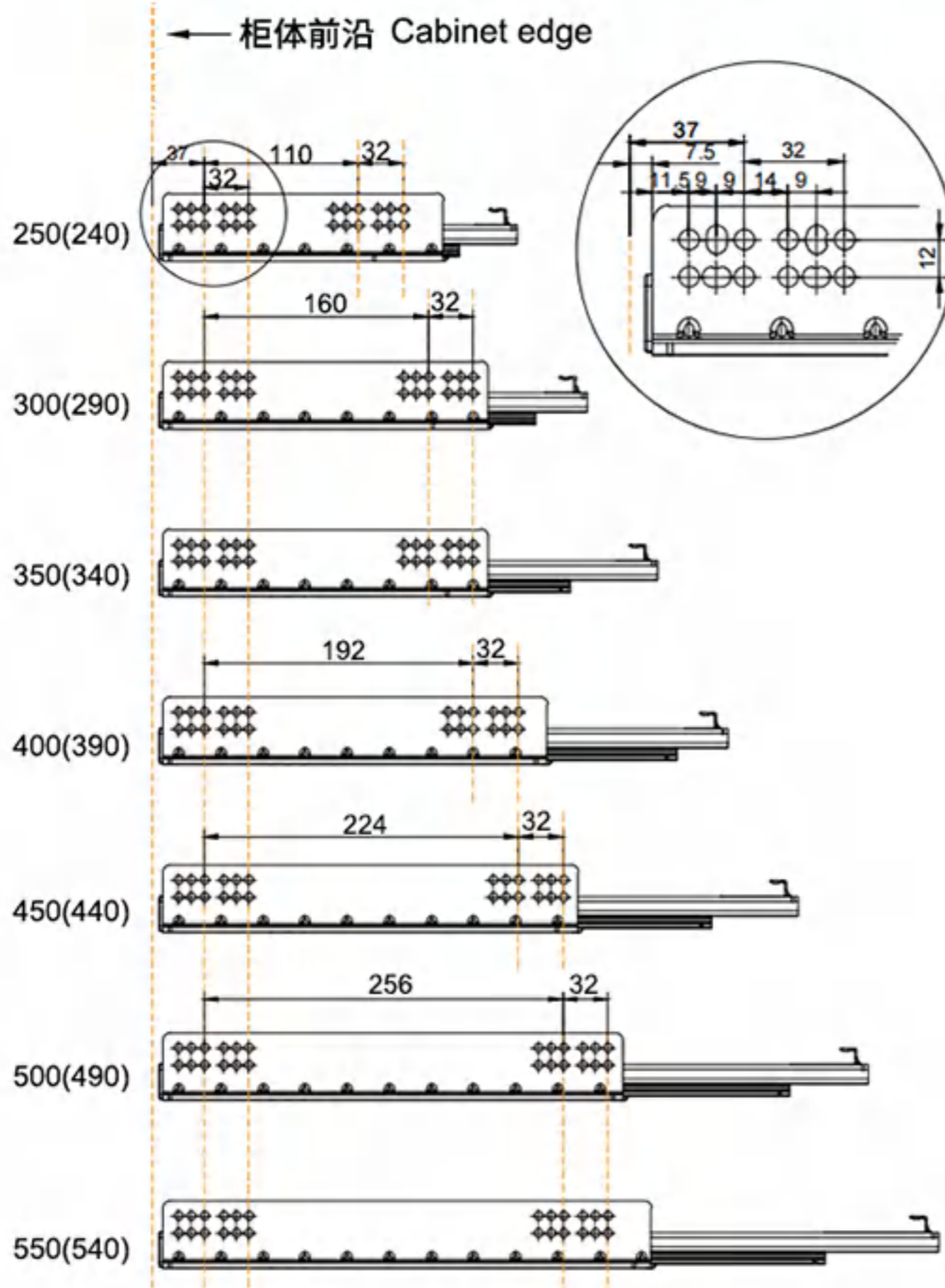
Pull out the buffer slide in three sections + Steel Damped Drawer

- 载重35kg
- 表面:镀锌
- 长度: 290-590mm
- 滑轨为全拉出式
- Load capacity of 35kg
- Surface: galvanized
- Length: 290-590mm
- Full extension
- 无需工具, 抽屉可快速安装和拆卸
- 静音系统保证滑动运动流畅、轻松
- 面板左右调节量0~+4mm
- 上下调节量0~+4mm
- Quick installation and removal
- Quiet and smooth movement
- Adjustment:left and right 0~ + 4mm
- up and down 0~ +4mm

■ 产品实图:



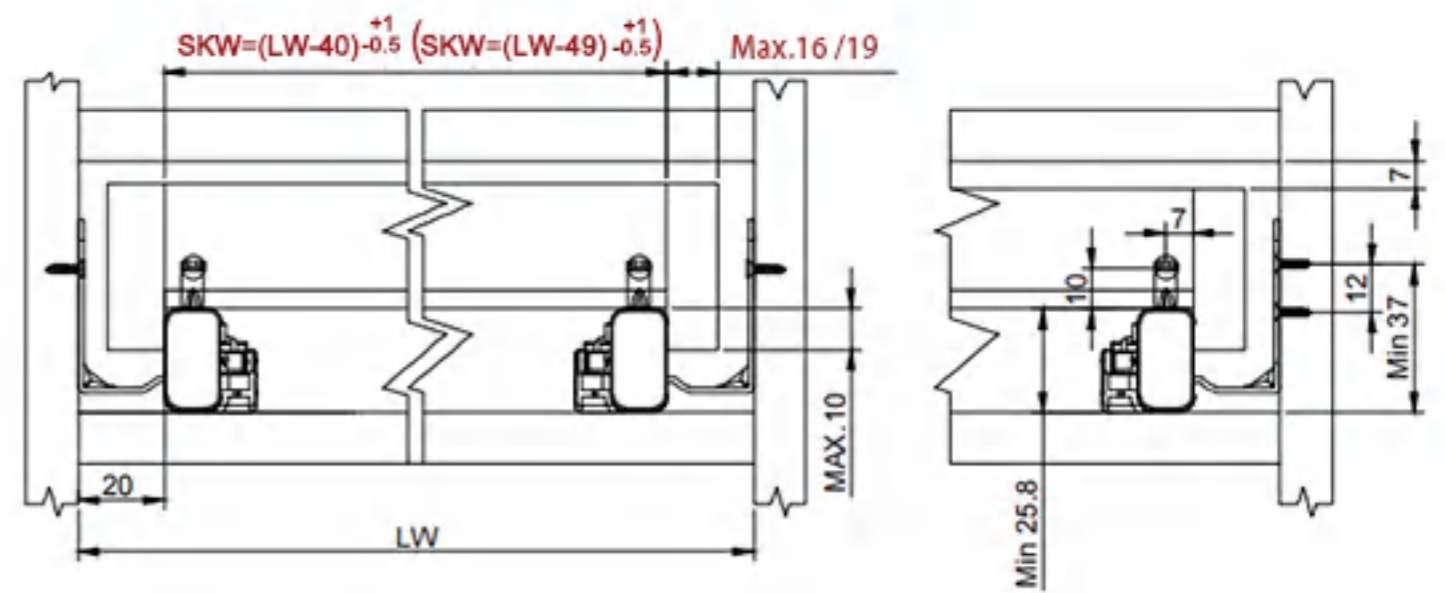
■ 滑轨安装孔尺寸(mm) Installation hole size (mm)



柜体所需空间 Inner cabinet space requirement

适用于减尺16板 = 40mm 或 19板 = 49mm

Applicable for size deduction: 16mm panel=40mm( or 19mm panel=49mm)



■ 抽屉高度尺寸(mm) Drawer height dimension (mm)

T=底板厚度

88款 T<19mm

128款 T<39mm

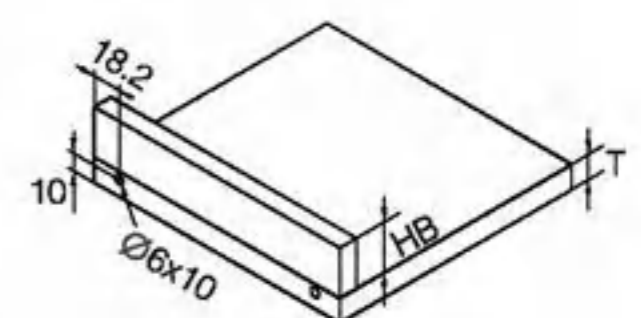
158款 T<54mm

HB=背板高度尺寸(mm)

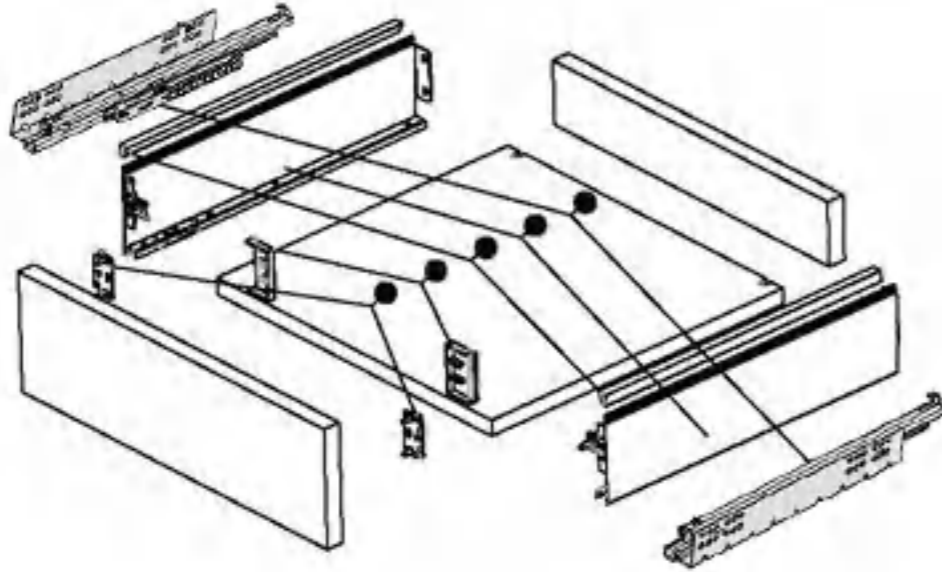
88款 HB=89-T

128款 HB=129-T

158款 HB=159-T



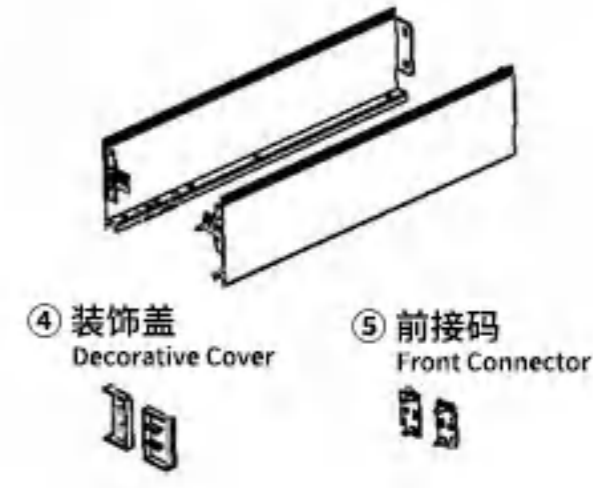
■ 独立包装配件 Installation dimension (mm)



■ 详细配件 Inside cabinet dimension (mm)

① 箱体轨道左/右  
Cabinet Box Rail - Left/Right  
标准长度Length  
290/340/390/440/490/540/590

② 抽屉帮左/右  
Drawer Side Panel - Left/Right  
标准长度Length  
290/340/390/440/490/540/590

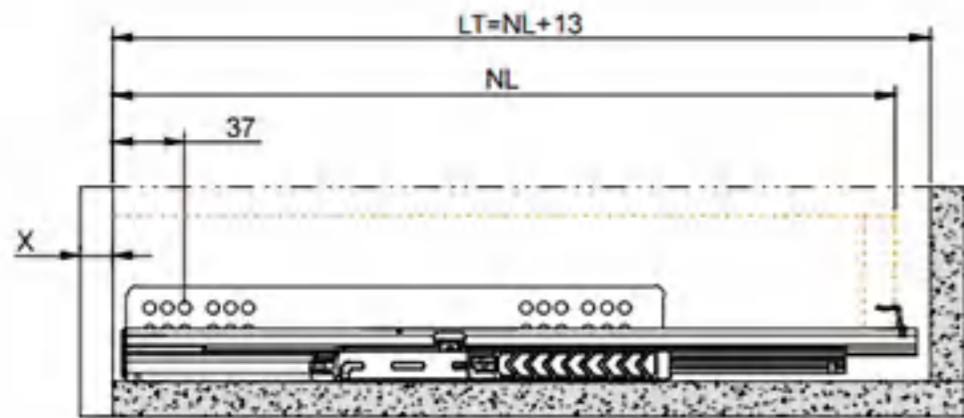


标称长度 Specification	订货号(阻尼抽屉) Order No(buffer)	套/箱 Sets/box
290mm	GBV616B2-88-290	10sets
340mm	GBV616B2-88-340	10sets
390mm	GBV616B2-88-390	10sets
440mm	GBV616B2-88-440	10sets
490mm	GBV616B2-88-490	10sets
540mm	GBV616B2-88-540	10sets
590mm	GBV616B2-88-590	10sets

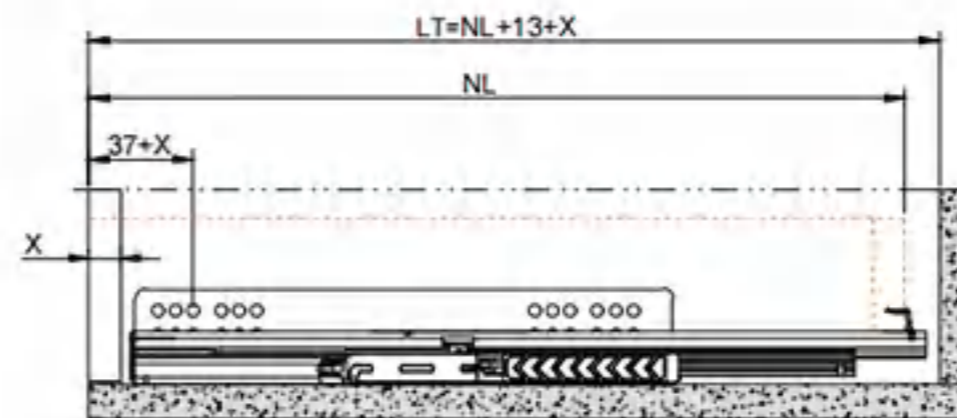
adjustment  
Up and down

标称长度 Specification	订货号(阻尼抽屉) Order No(buffer)	套/箱 Sets/box
290mm	GBV616B2-128-290	10sets
340mm	GBV616B2-128-340	10sets
390mm	GBV616B2-128-390	10sets
440mm	GBV616B2-128-440	10sets
490mm	GBV616B2-128-490	10sets
540mm	GBV616B2-128-540	10sets
590mm	GBV616B2-128-590	10sets

标称长度 Specification	订货号(阻尼抽屉) Order No(buffer)	套/箱 Sets/box
290mm	GBV616B2-158-290	10sets
340mm	GBV616B2-158-340	10sets
390mm	GBV616B2-158-390	10sets
440mm	GBV616B2-158-440	10sets
490mm	GBV616B2-158-490	10sets
540mm	GBV616B2-158-540	10sets
590mm	GBV616B2-158-590	10sets



外置抽屉 Standard drawer

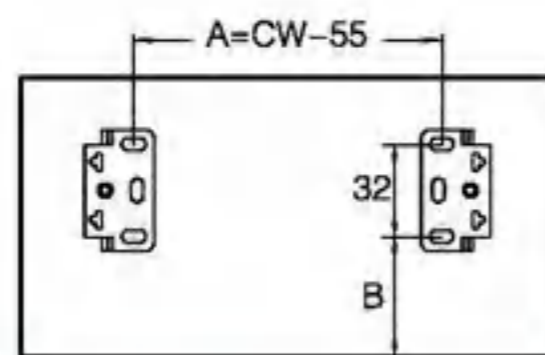


内置抽屉 Inner drawer

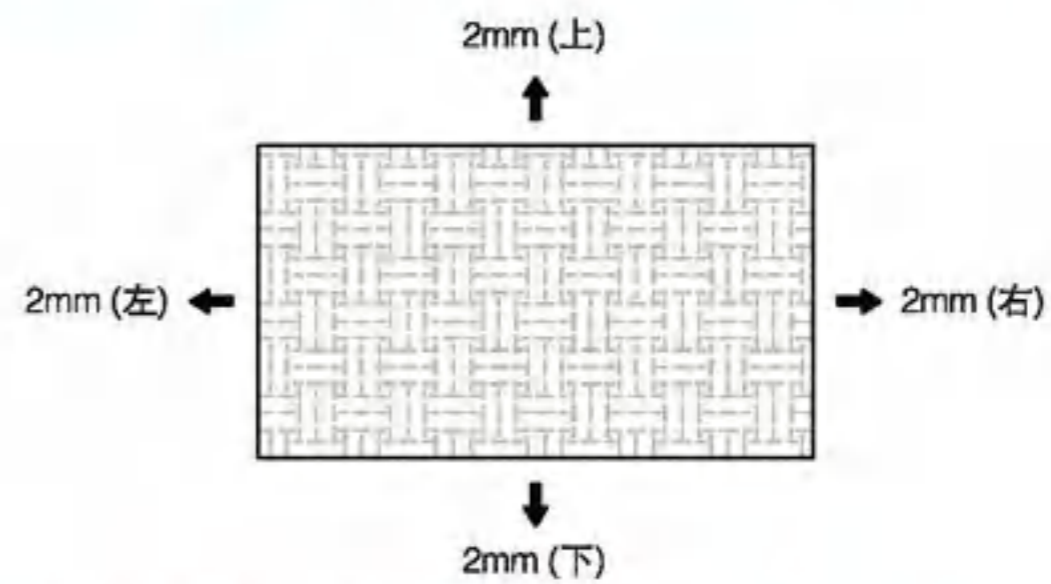
NL=滑轨标称长度  
NL=Nominal Slide Length  
LT=柜体内部深度  
LT=Cabinet Length  
LW=柜体内部宽度  
LW=Cabinet inner net width  
SKW=抽屉内部宽度  
SKW=Drawer inner net width

■ 前接码与面板安装尺寸(mm) Front connector (mm)

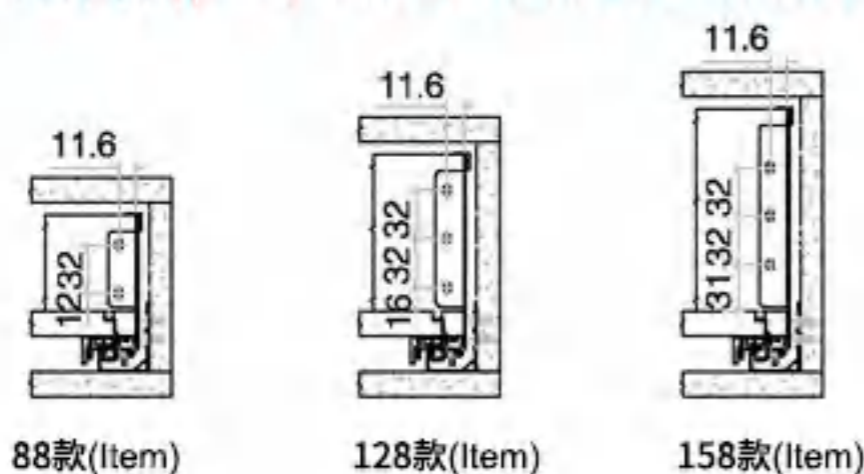
CW=柜子的内部宽度  
A=CW-55  
88款(Item) B>52mm  
128款(Item) B>72mm  
158款(Item) B>87mm



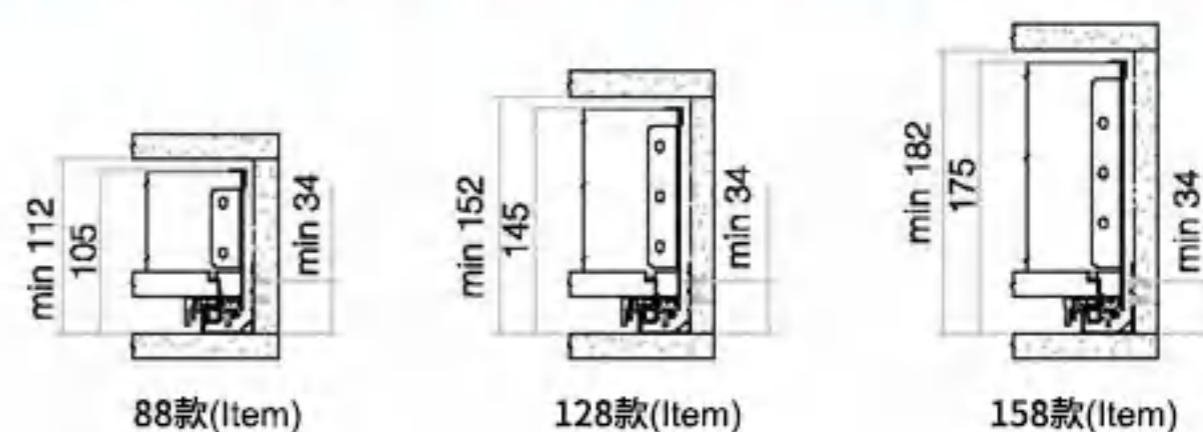
■ 前面板调节量(mm) Front panel adjustment (mm)



■ 柜体内所需高度(mm) Inside cabinet dimension (mm)



■ 背板安装尺寸(mm) Back panel mounting positions (mm)





# GB-V616B2 三节全拉出缓冲滑轨+骑马抽

Pull out the buffer slide in three sections + slim box

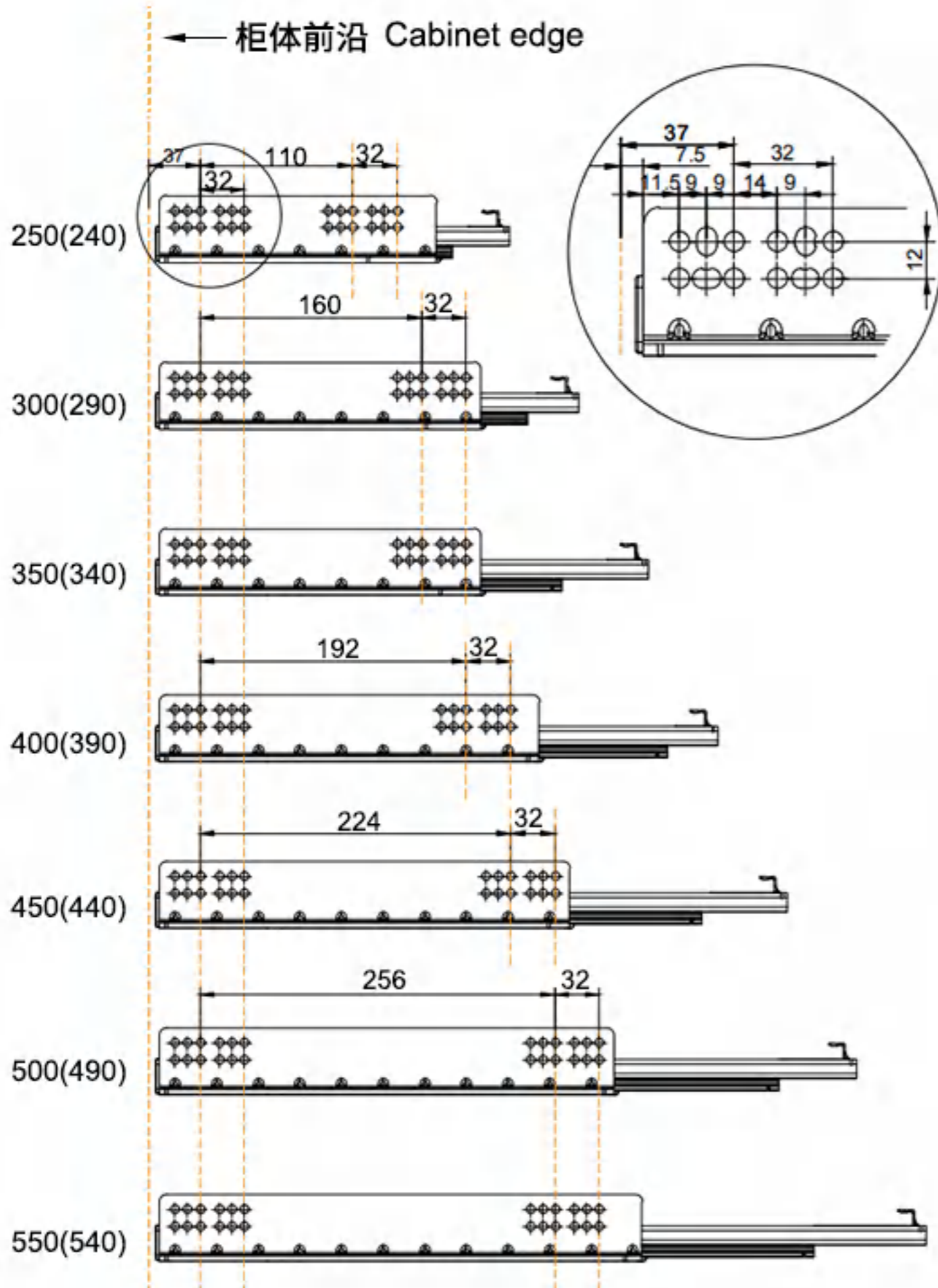
带二维把手，带缓冲关闭功能，配骑马抽薄抽组件；

GQ-V616B2 THREE-SECTION HANDLE SOFT-CLOSE SLIDE WITH UNDERMOUNT DRAWER

■ 产品 实图：



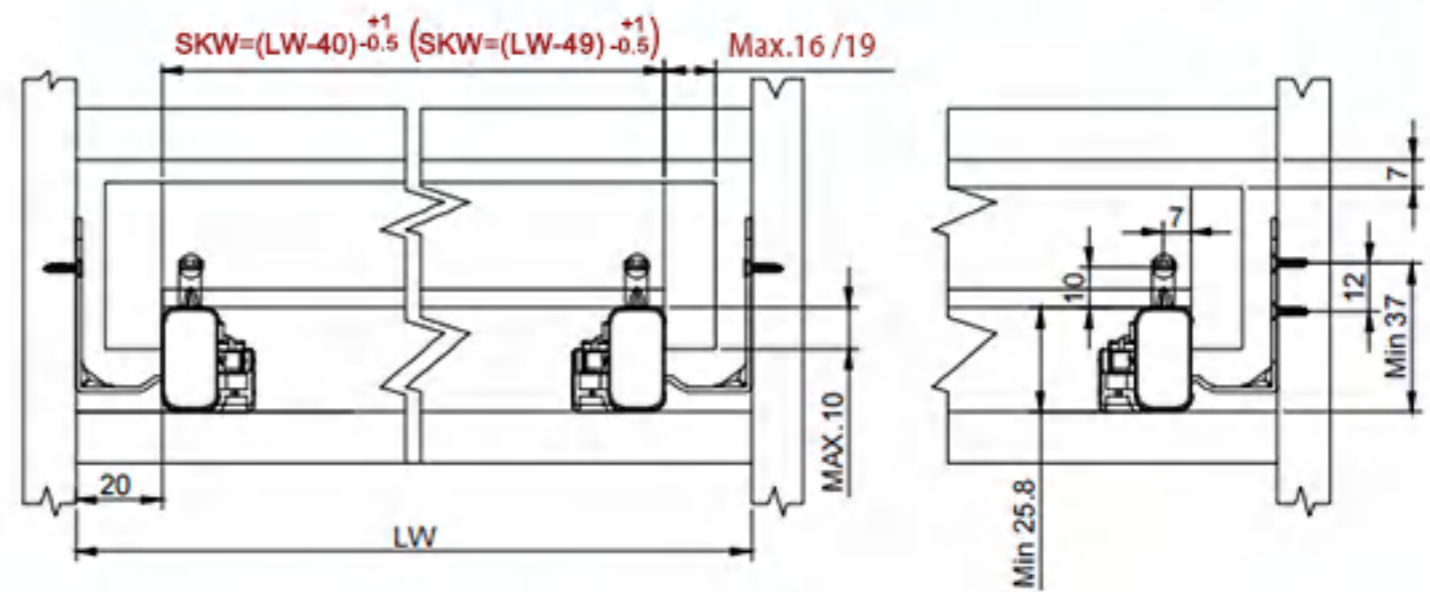
■ 滑轨安装尺寸 Slide Rail Installation Dimensions(mm)



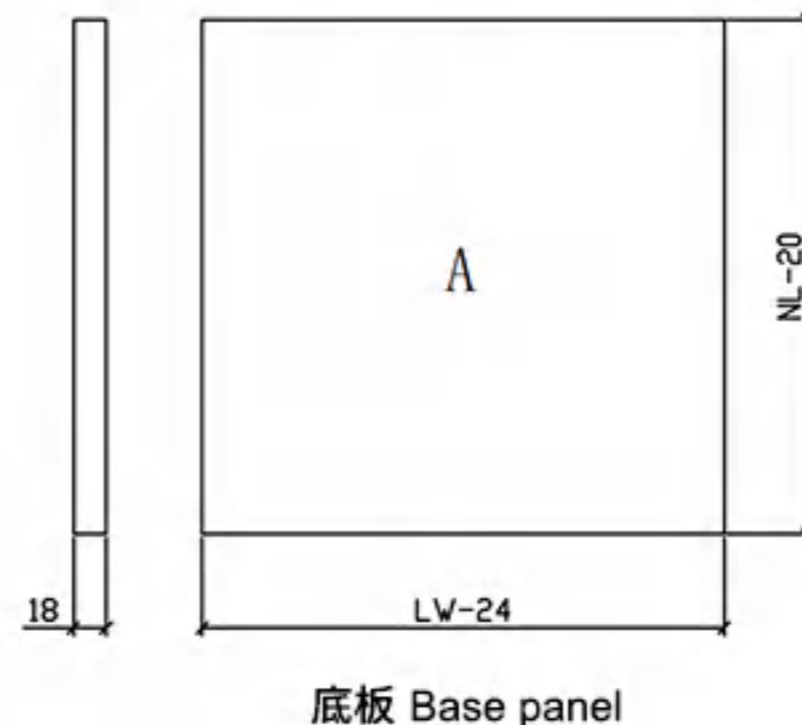
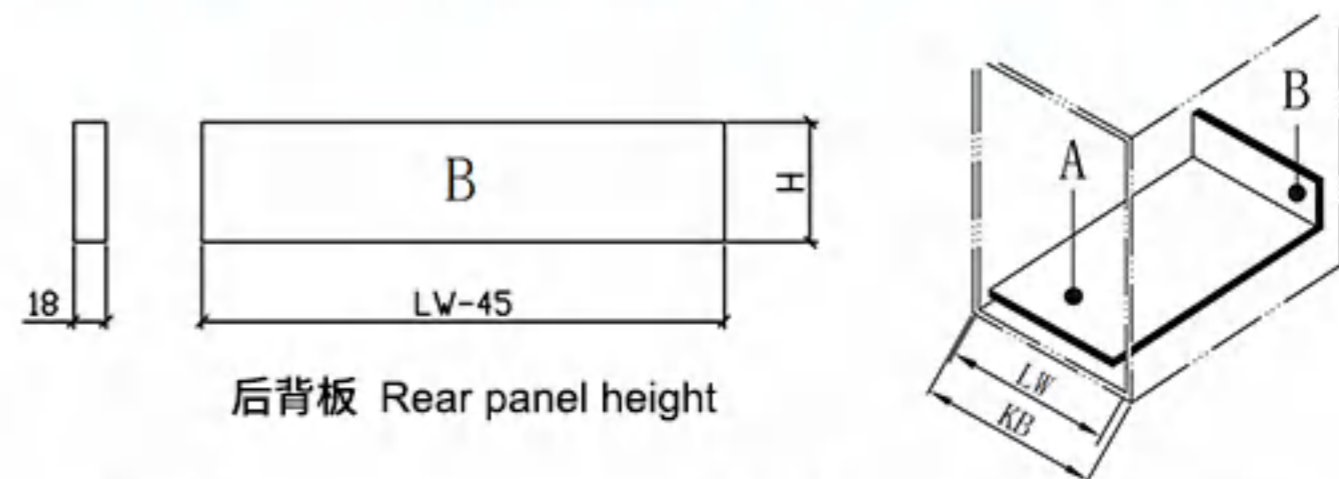
柜体所需空间 Inner cabinet space requirement

适用于减尺16板 = 40mm 或 19板 = 49mm

Applicable for size deduction: 16mm panel=40mm( or 19mm panel=49mm)



■ 底板与背板开料尺寸(18mm) Bottom and rear panel



	H
LS63	63
LS101	101
LS148	148

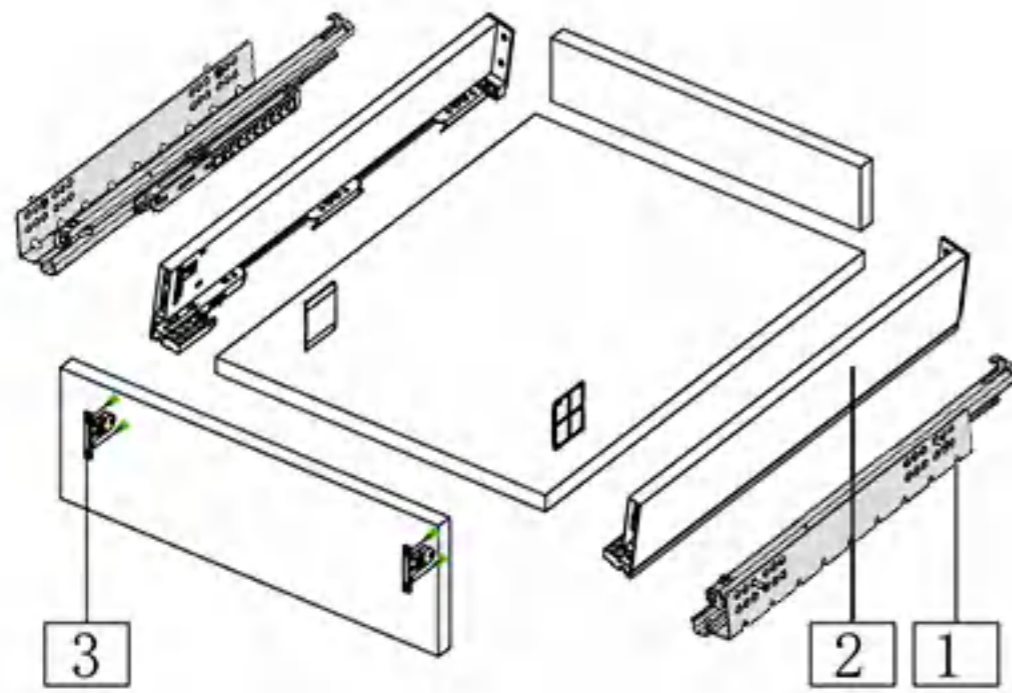
KB 柜体宽度  
Cabinet width

LW 柜体净宽  
Internal cabinet width

LT 柜体内部深度  
Internal cabinet depth

NL 标称长度  
Nominal length

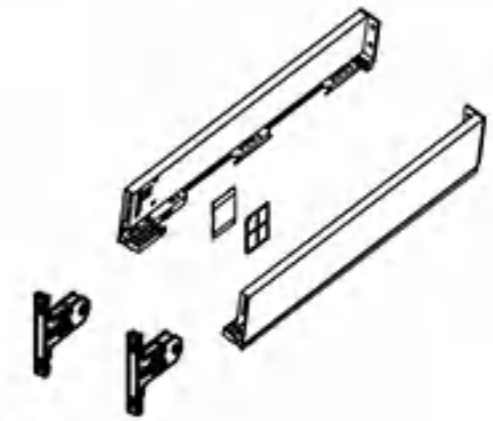
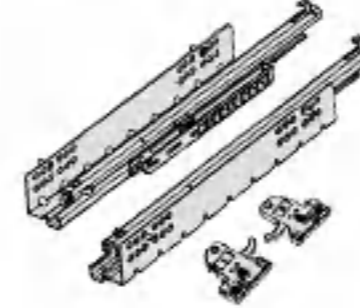
■ 抽屉分解图 Drawer Breakdown Diagram



■ 详细配件 Inside cabinet dimension (mm)

① 箱体轨道 左/右  
Concealed drawer slide Left/Right  
标准长度 Length  
250/300/350/400/450/500/550

② 抽屉邦和装饰盖左/右  
Drawer side & decorative cap Left/Right  
标准长度 Length  
250/300/350/400/450/500/550

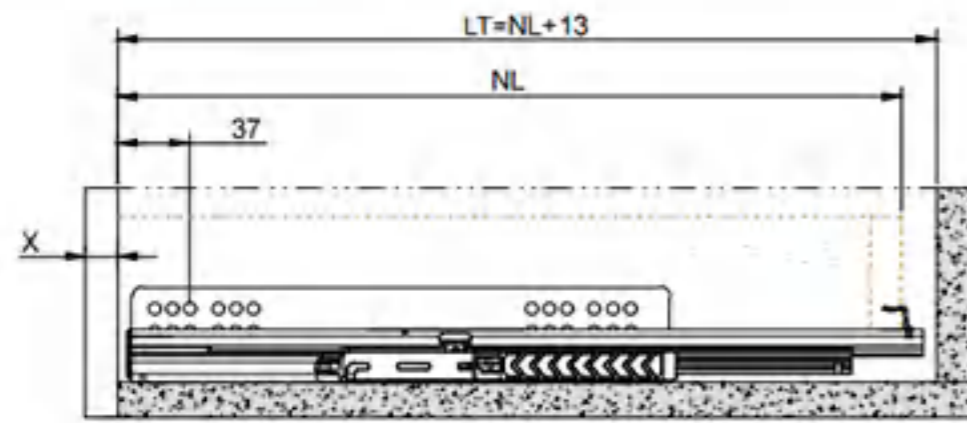


③ 前接码  
Front connector

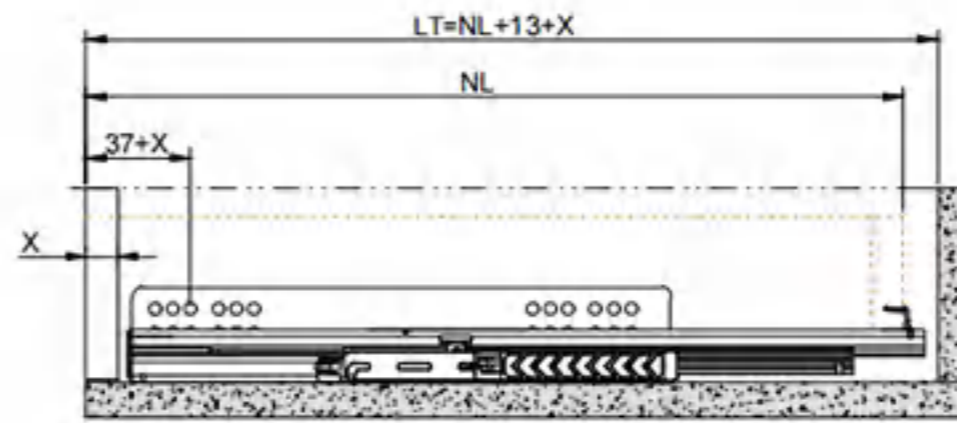
标准长度 Length	订货号(阻尼抽屉) Order No(buffer)	套/箱 Sets/box	标准长度 Length	订货号(阻尼抽屉) Order No(buffer)	套/箱 Sets/box	标准长度 Length	订货号(阻尼抽屉) Order No(buffer)	套/箱 Sets/box
250mm	GQ-V616B2-63-250	10sets	250mm	GQ-V616B2-101-250	10sets	250mm	GQ-V616B2-148-250	10sets
300mm	GQ-V616B2-63-300	10sets	300mm	GQ-V616B2-101-300	10sets	300mm	GQ-V616B2-148-300	10sets
350mm	GQ-V616B2-63-350	10sets	350mm	GQ-V616B2-101-350	10sets	350mm	GQ-V616B2-148-350	10sets
400mm	GQ-V616B2-63-400	10sets	400mm	GQ-V616B2-101-400	10sets	400mm	GQ-V616B2-148-400	10sets
450mm	GQ-V616B2-63-450	10sets	450mm	GQ-V616B2-101-450	10sets	450mm	GQ-V616B2-148-450	10sets
500mm	GQ-V616B2-63-500	10sets	500mm	GQ-V616B2-101-500	10sets	500mm	GQ-V616B2-148-500	10sets
550mm	GQ-V616B2-63-550	10sets	550mm	GQ-V616B2-101-550	10sets	550mm	GQ-V616B2-148-550	10sets

adjustment  
Up and down

■ 滑轨安装尺寸(mm) Installation dimension



外置抽屉 Standard drawer

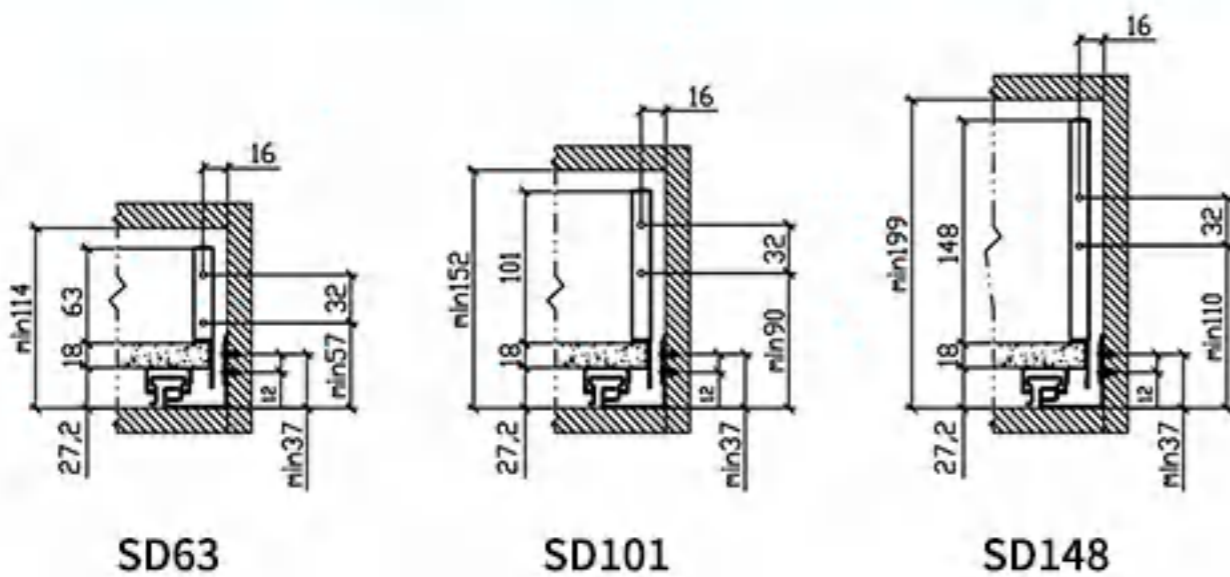


内置抽屉 Inner drawer

NL=滑轨标称长度  
NL=Nominal Slide Length  
LT=柜体内部深度  
LT=Cabinet Length  
LW=柜体内部宽度  
LW=Cabinet inner net width  
SKW=抽屉内部宽度  
SKW=Drawer inner net width

■ 柜体内空间需求及安装(mm) Cabinet space requirements

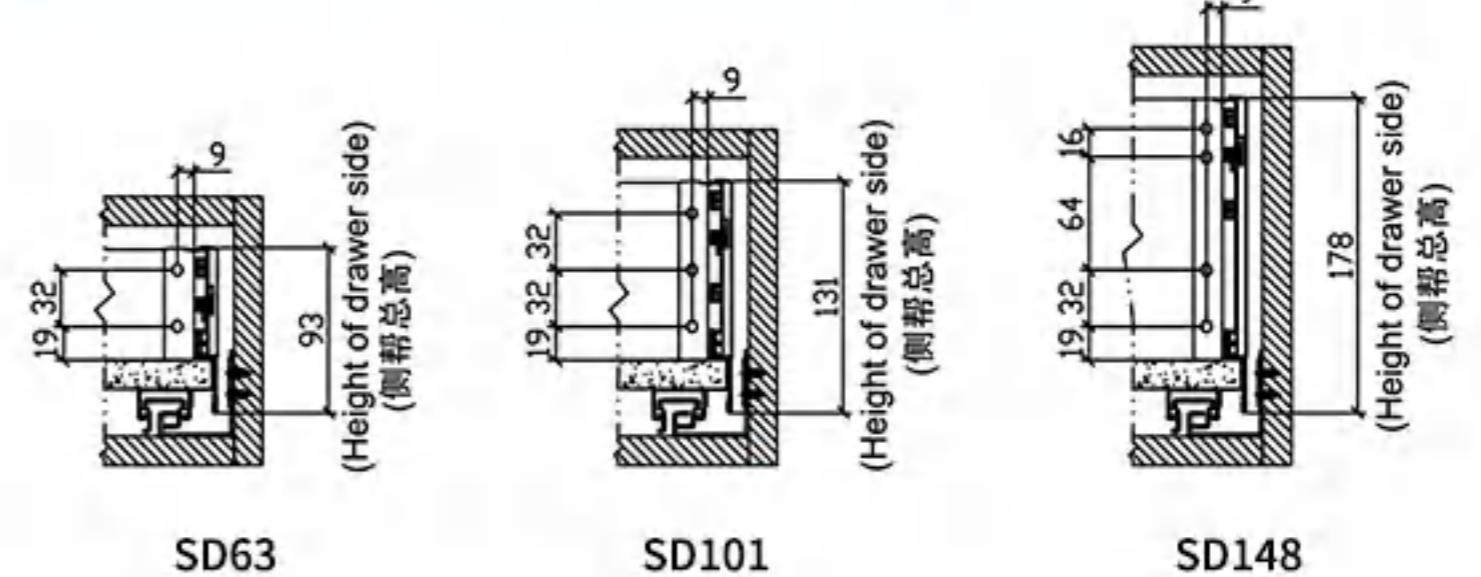
■ 后背板开孔尺寸(mm) Rear panel drilling



SD63

SD101

SD148



SD63

SD101

SD148



# SD-V216B1 二节半拉出缓冲滑轨

Pull out the buffer slide in two sections

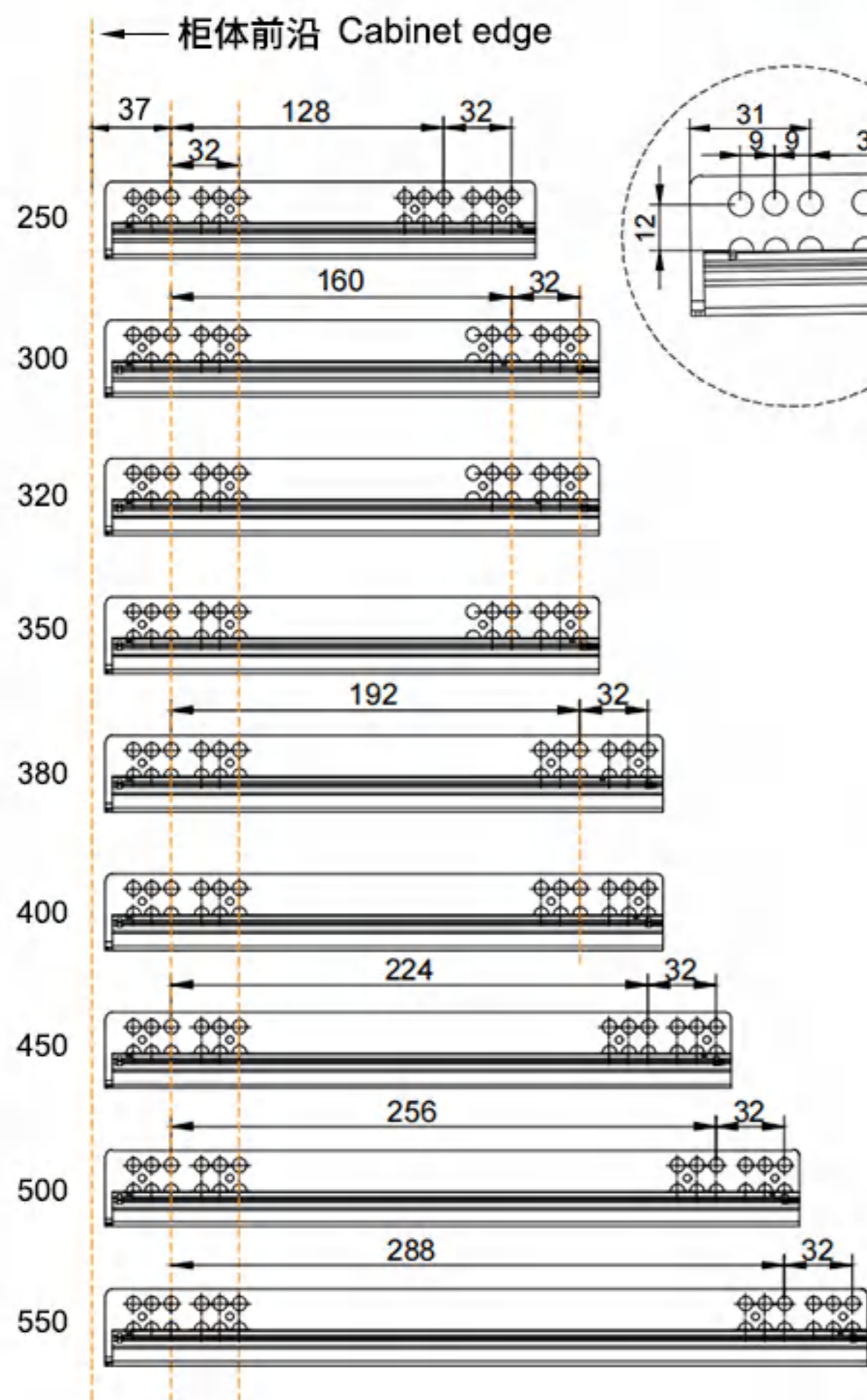
带一维把手，带缓冲关闭功能，适用于减尺16板 = 40mm 或 19板 = 49mm;  
SD-V216B1 TWO-SECTION HANDLE-EQUIPPED SOFT-CLOSE DRAWER SLIDE

■ 产品 实图:

厚度(Thickness): 1.2\*1.2 mm  
1.4\*1.4 mm

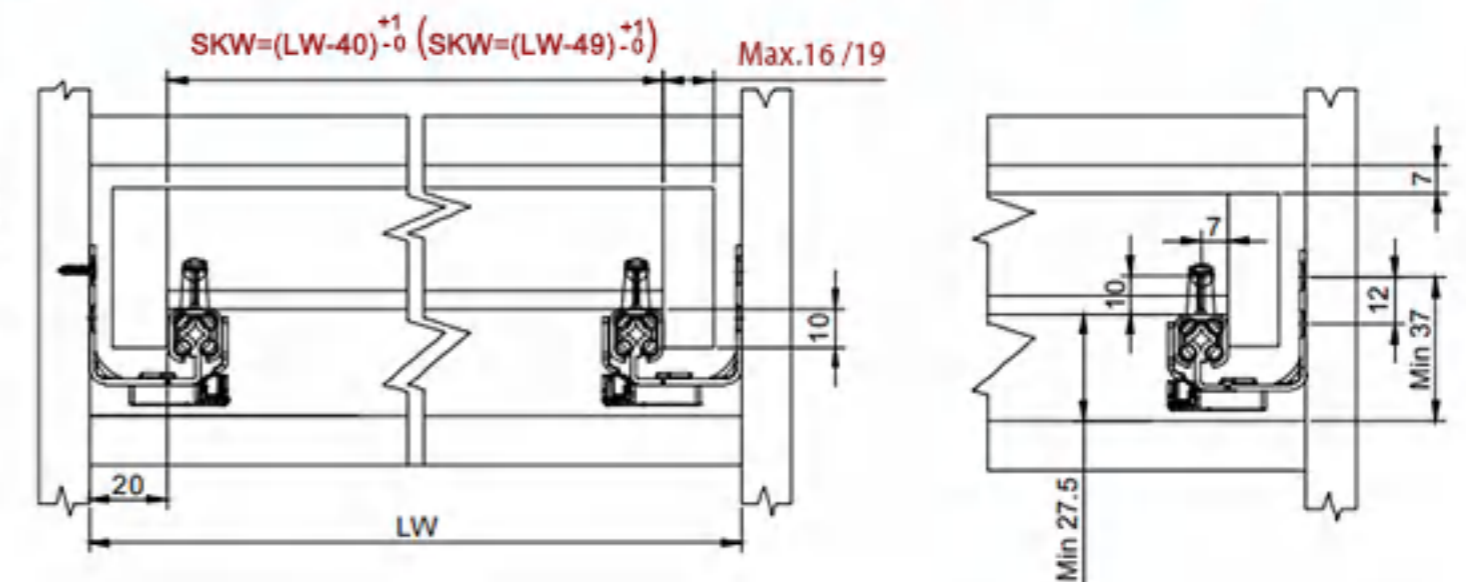


■ 滑轨安装尺寸 Slide Rail Installation Dimensions(mm)

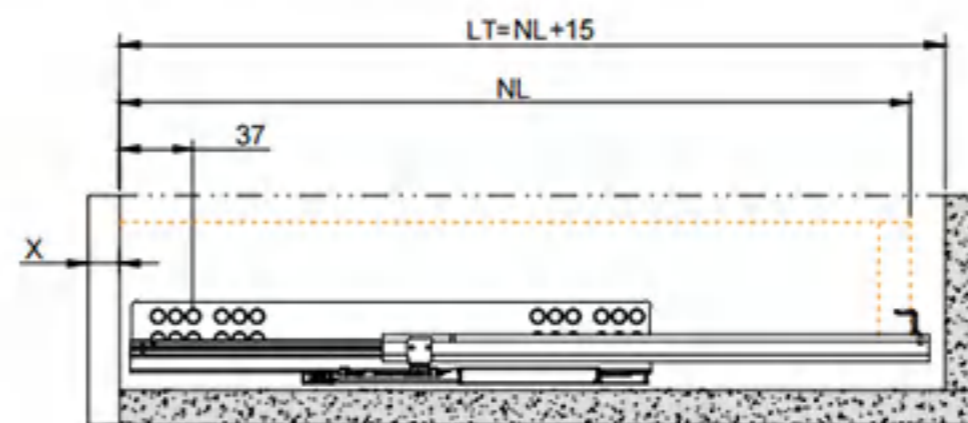


柜体所需空间 Inner cabinet space requirement

适用于减尺16板 = 40mm 或 19板 = 49mm  
Applicable for size deduction: 16mm panel=40mm( or 19mm panel=49mm)



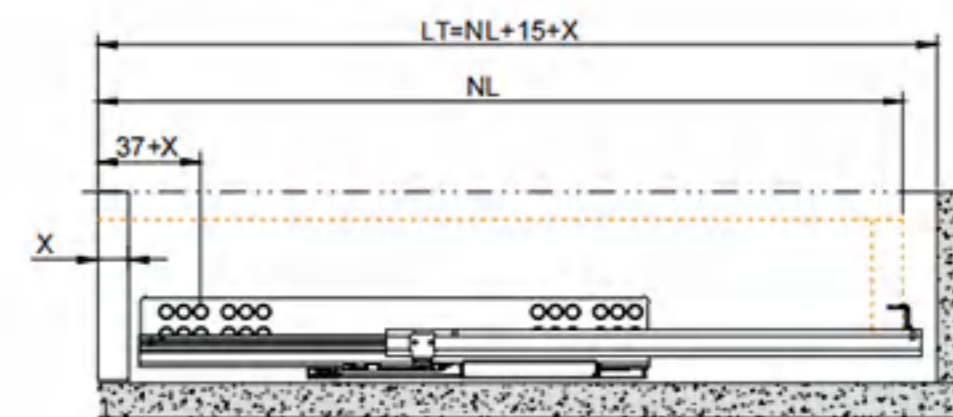
外置抽屉 Standard drawer



NL=滑轨标称长度  
NL=Nominal Slide Length

LT=柜体内部深度  
LT=Carbinet Length

内置抽屉 Inner drawer

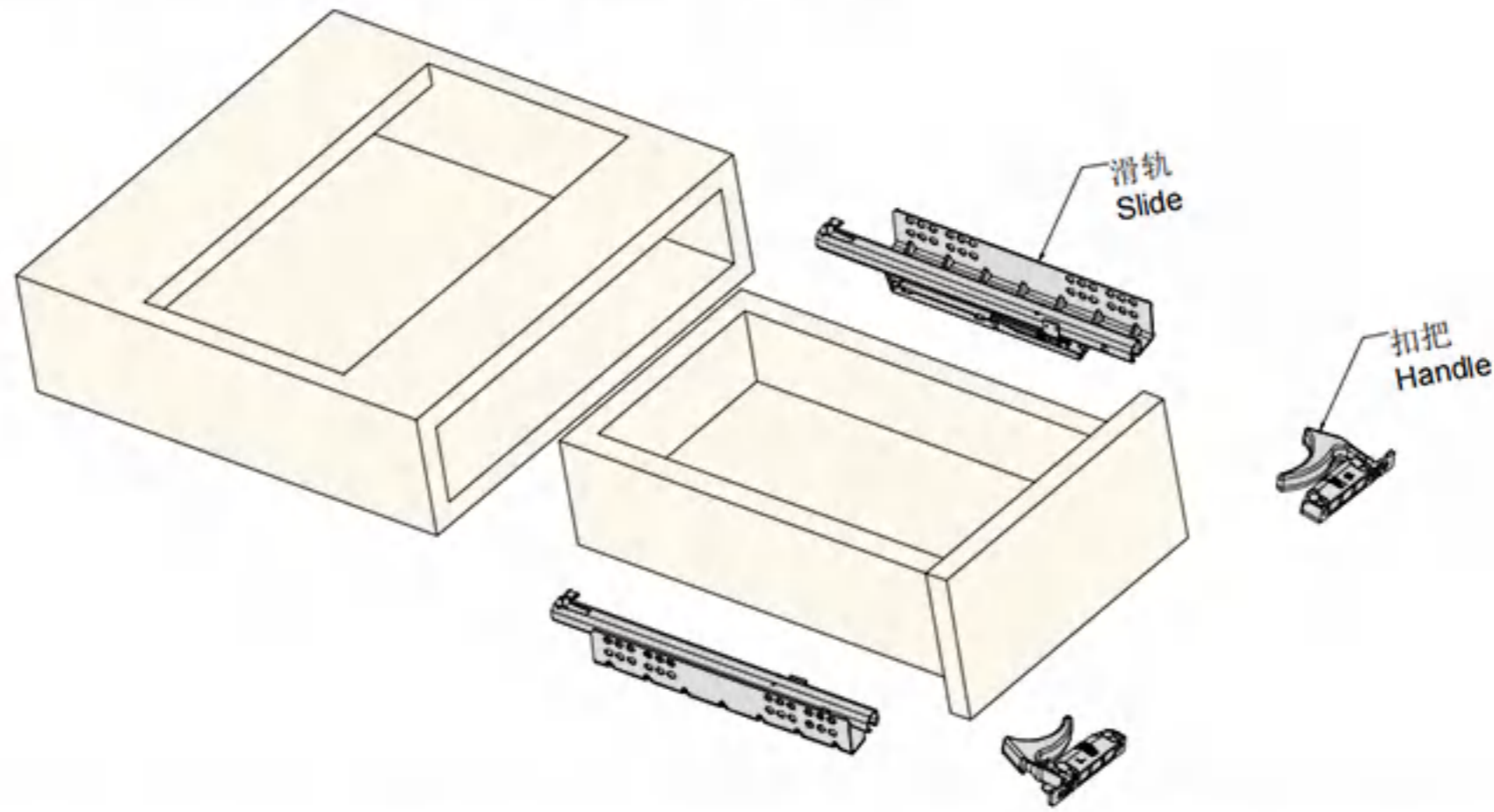
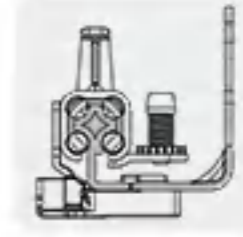


LW=柜体内部宽度  
LW=Carbinet inner net width

SKW=抽屉内部宽度  
SKW=Drawer inner net width

安装指南;柜体尺寸设计

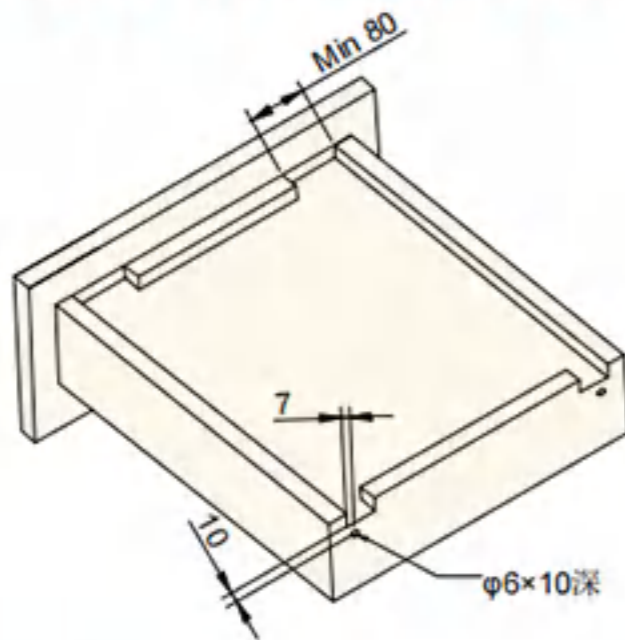
SD-V216B1 INSTALLTION CABINET SIZE DIMENSION



规格 Specifications	抽屉长度(NL)(mm) Drawer length	滑轨长度(mm) Slides length	最小柜深(LT)(外抽/内抽)(mm) Min cabinet depth(Standard/Inner )	拉伸长度(mm) Pul-out lenght
10"	250	254	265/265+X	184.5
12"	300	304	315/315+X	234.5
13"	320	324	335/335+X	242.5
14"	350	354	365/365+X	272.5
15"	380	384	395/395+X	302.5
16"	400	404	415/415+X	310.5
18"	450	454	465/465+X	348.5
20"	500	504	515/515+X	386.5

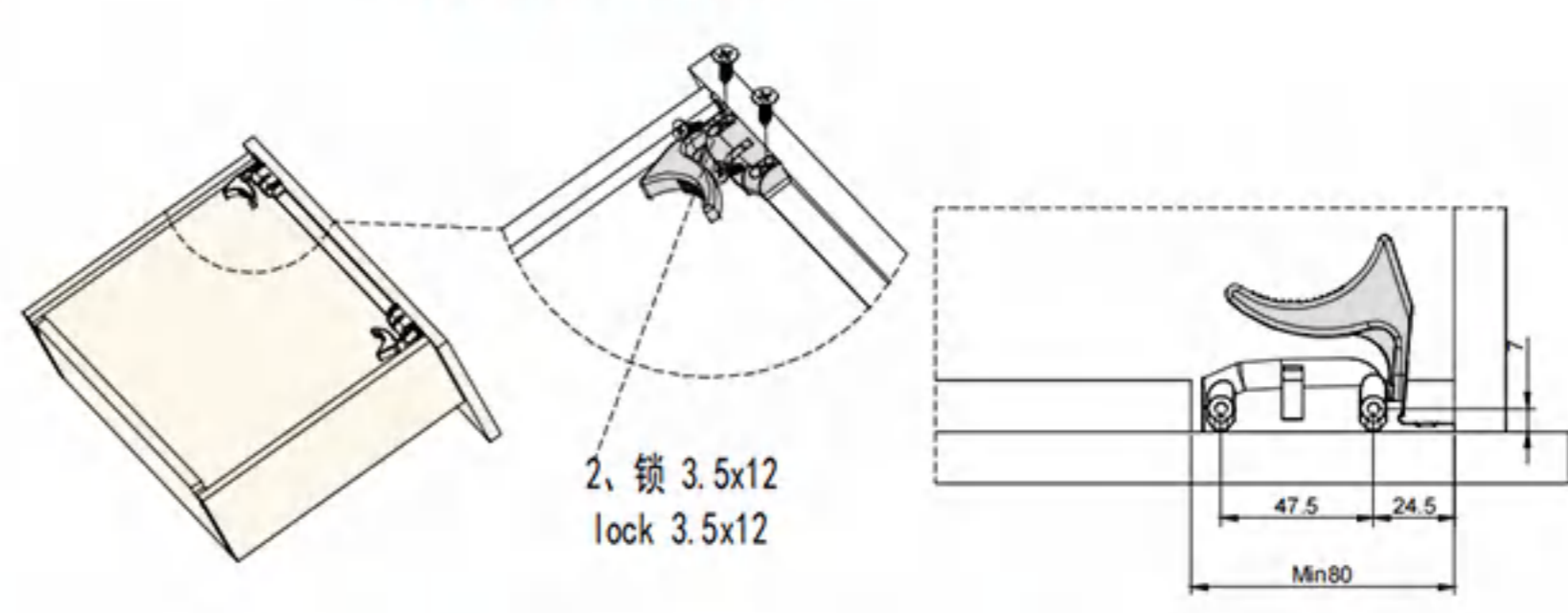
■ 抽屉后板开槽钻孔尺寸

Hole size on rear panel of the drawer

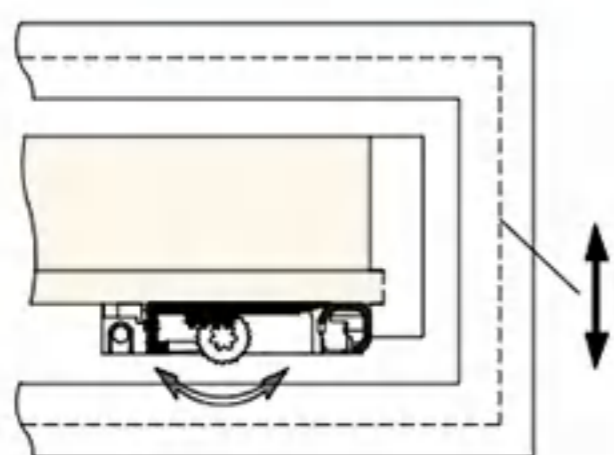


■ 扣把安装

Locking to cabinet

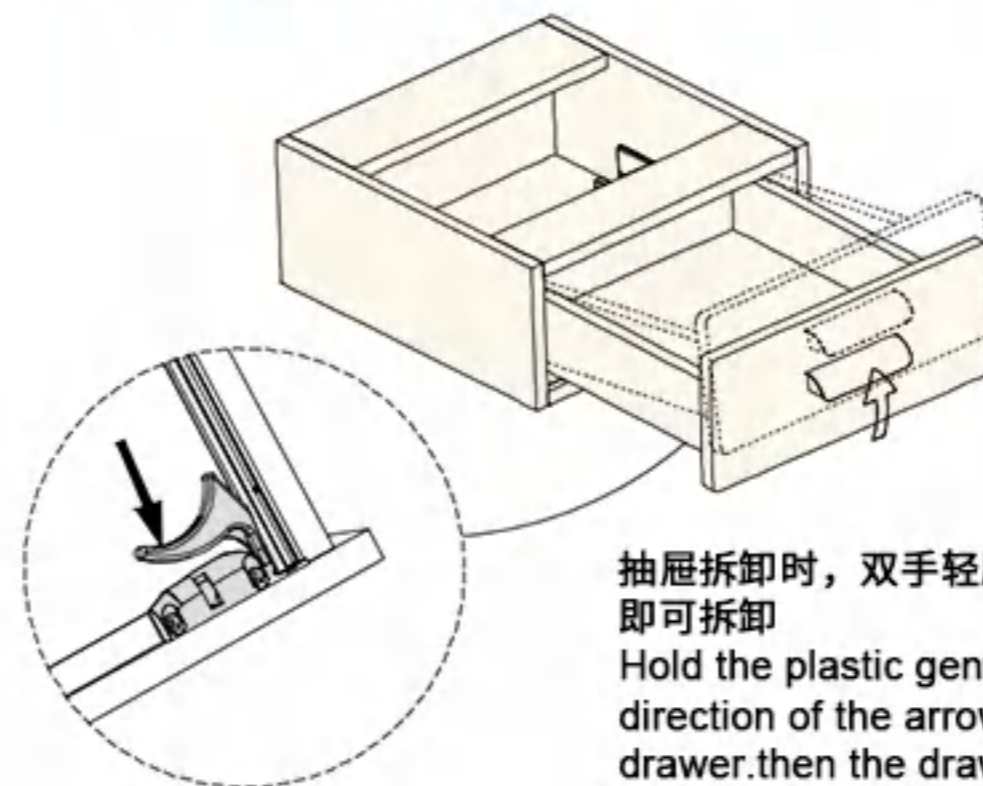


■ 抽屉调节 Adjustment of the drawer



抽屉可通过调节块来调节高度+2mm  
The drawer may be adjusted in height for +2mm by rotating the adjustable plastic.

■ 抽屉拆卸 Removal of the drawer



抽屉拆卸时, 双手轻压分离器, 见箭头方向, 即可拆卸  
Hold the plastic gently according to the direction of the arrow when removing the drawer. then the drawer can be demounted easily.



# SD-V216B1自锁二节半拉出滑轨

Two-section Extension Drawer Slide

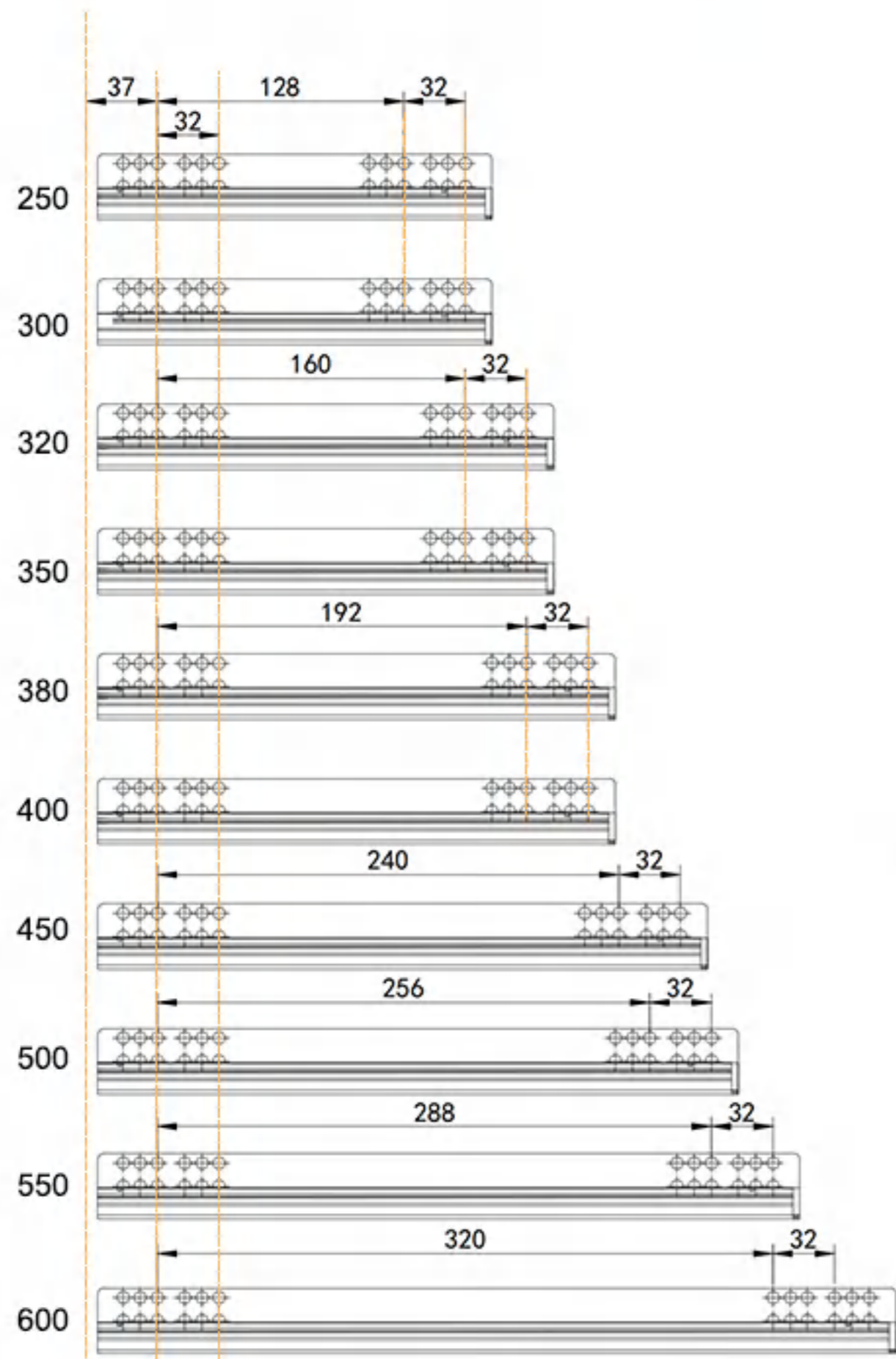
带一维把手，带自动锁定功能，适用于减尺16板 = 40mm 或 19板 = 49mm;  
SD-V216B1 EQUIPPED WITH LINEAR GRIP & AUTOMATIC LOCKING FEATURE

■ 产品实图:

厚度(Thickness): 1.2\*1.2 mm  
1.4\*1.4 mm



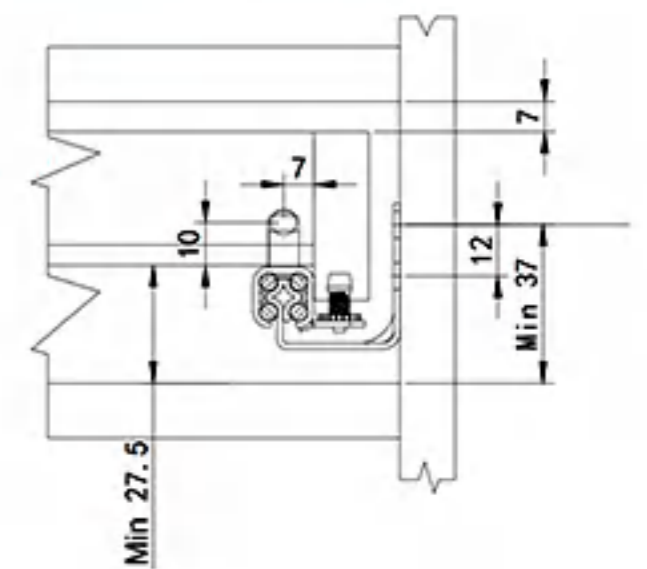
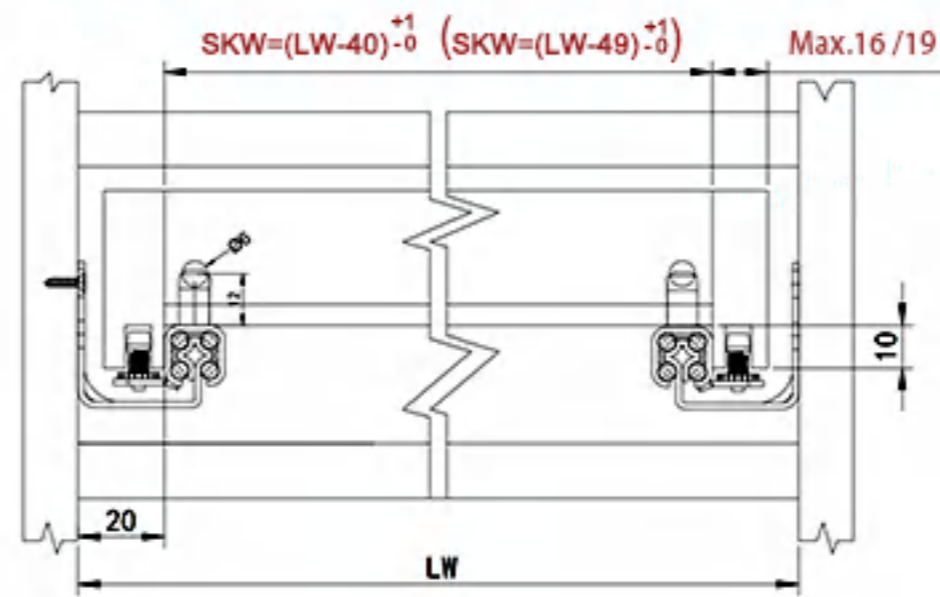
■ 滑轨所需空间 Required Space for Slide Rail(mm)



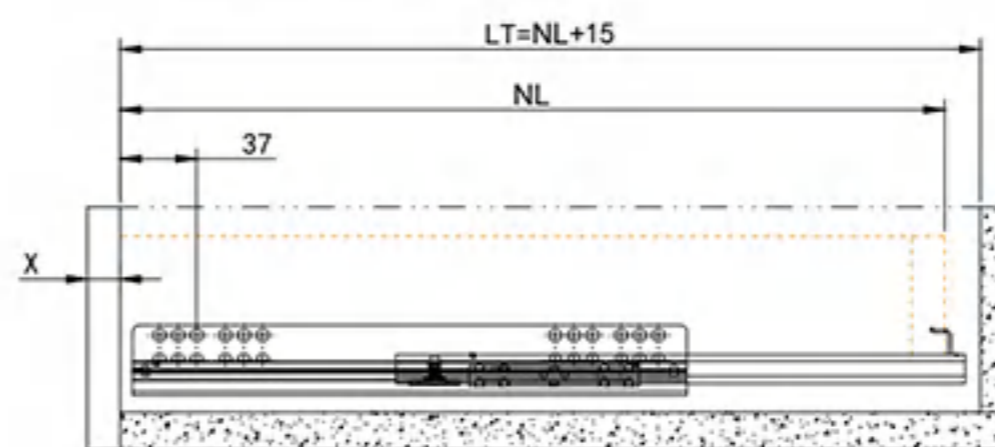
柜体所需空间 Inner cabinet space requirement

适用于减尺16板 = 40mm 或 19板 = 49mm

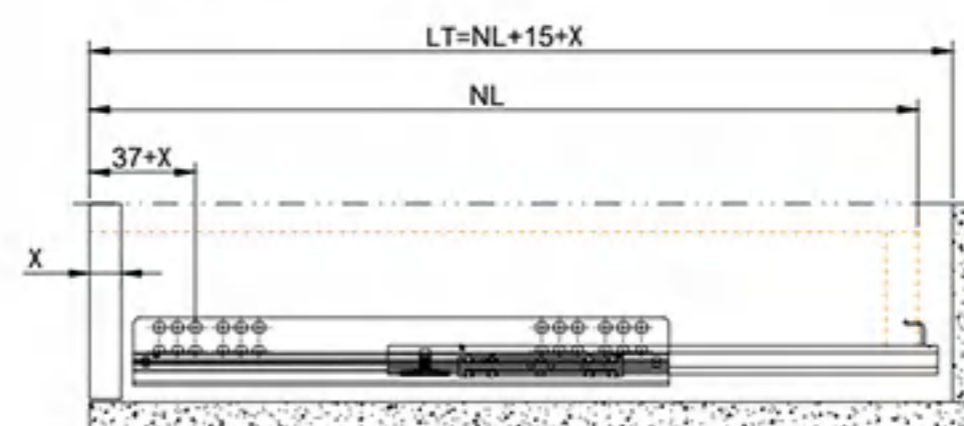
Applicable for size deduction: 16mm panel=40mm (or 19mm panel=49mm)



外置抽屉 Standard drawer



内置抽屉 Inner drawer



NL=滑轨标称长度  
NL=Nominal Slide Length

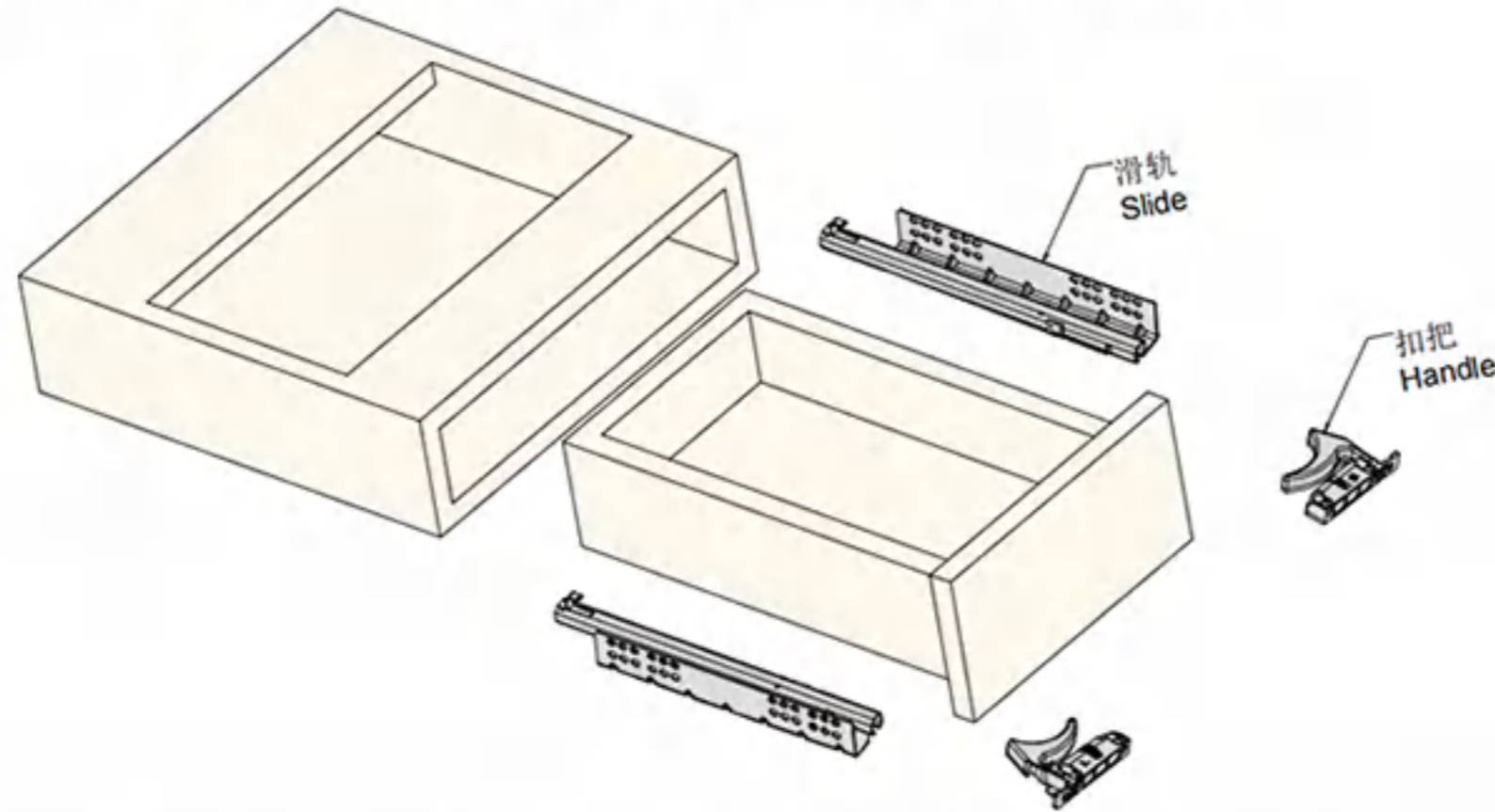
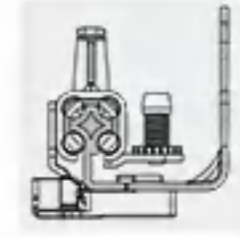
LT=柜体内部深度  
LT=Carbinet Length

LW=柜体内部宽度  
LW=Carbinet inner net width

SKW=抽屉内部宽度  
SKW=Drawer inner net width

安装指南;柜体尺寸设计

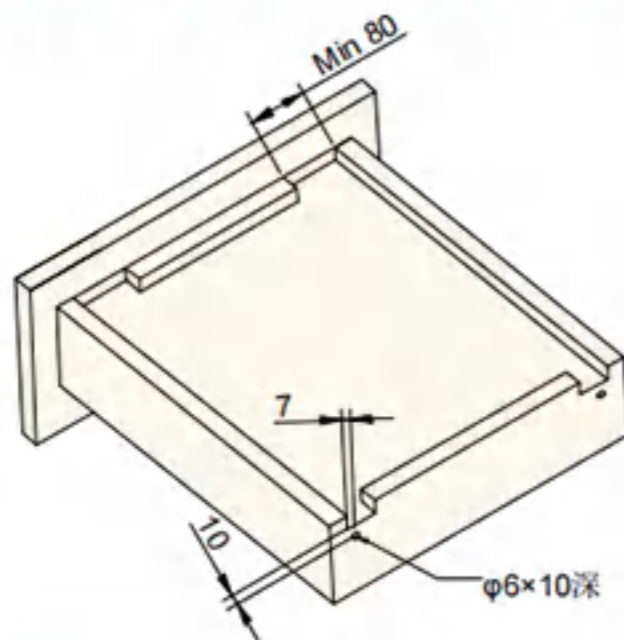
SD-V216B1 SELF-LOCKING INSTALLTION CABINET SIZE DIMENSION



规格 Specifications	抽屉长度(NL)(mm) Drawer length	滑轨长度(mm) Slides length	最小柜深(LT)(外抽/内抽)(mm) Min cabinet depth(Standard/Inner )	拉伸长度(mm) Pul-out length
10"	250	246	265/265+X	184.5
12"	300	296	315/315+X	234.5
13"	320	316	335/335+X	242.5
14"	350	346	365/365+X	272.5
15"	380	376	395/395+X	302.5
16"	400	396	415/415+X	310.5
18"	450	446	465/465+X	348.5
20"	500	496	515/515+X	386.5
22"	550	546	565/565+X	436.5
24"	600	596	615/615+X	486.5

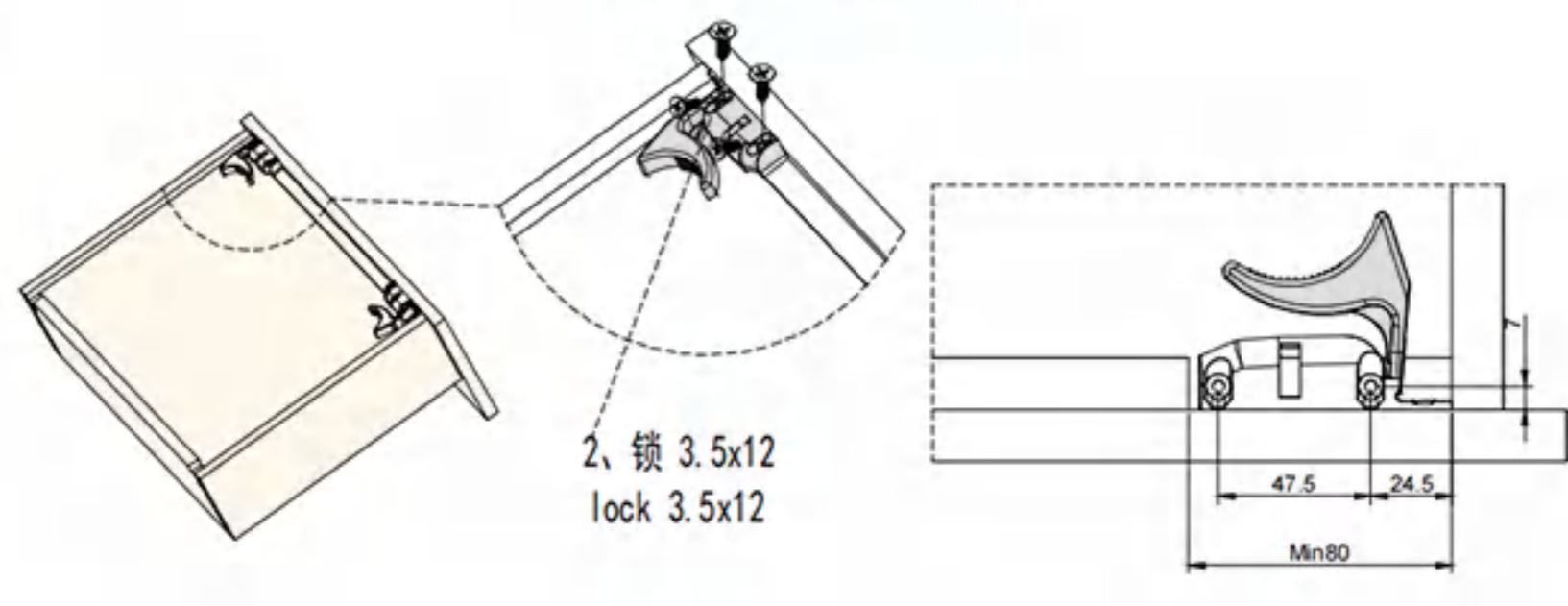
### ■ 抽屉后板开槽钻孔尺寸

Hole size on rear panel of the drawer

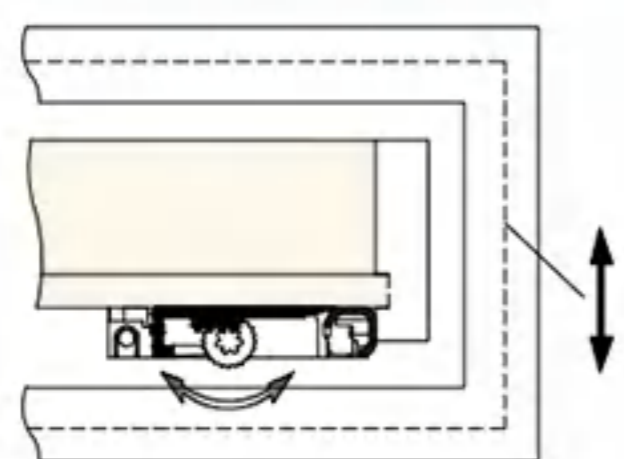


### ■ 抽屉安装

Drawer Installation

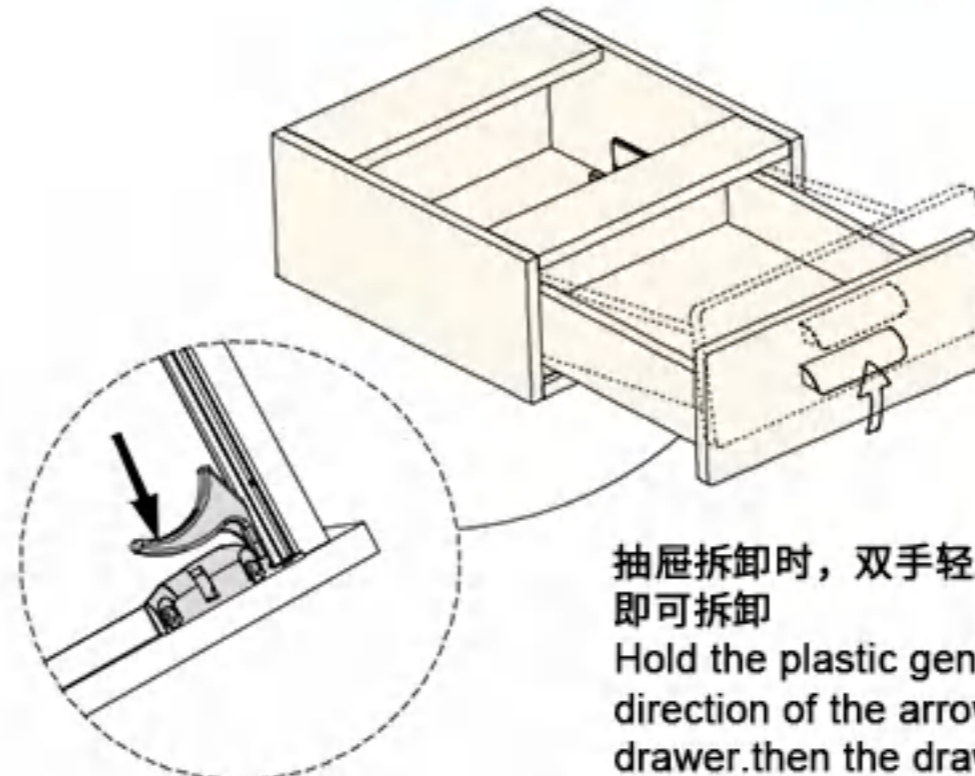


### ■ 抽屉调节 Adjustment of the drawer



抽屉可通过调节块来调节高度+2mm  
The drawer may be adjusted in height for +2mm  
by rotating the adjustable plastic.

### ■ 抽屉拆卸 Removal of the drawer



抽屉拆卸时，双手轻压分离器，见箭头方向，即可拆卸  
Hold the plastic gently according to the direction of the arrow when removing the drawer. then the drawer can be demounted easily.



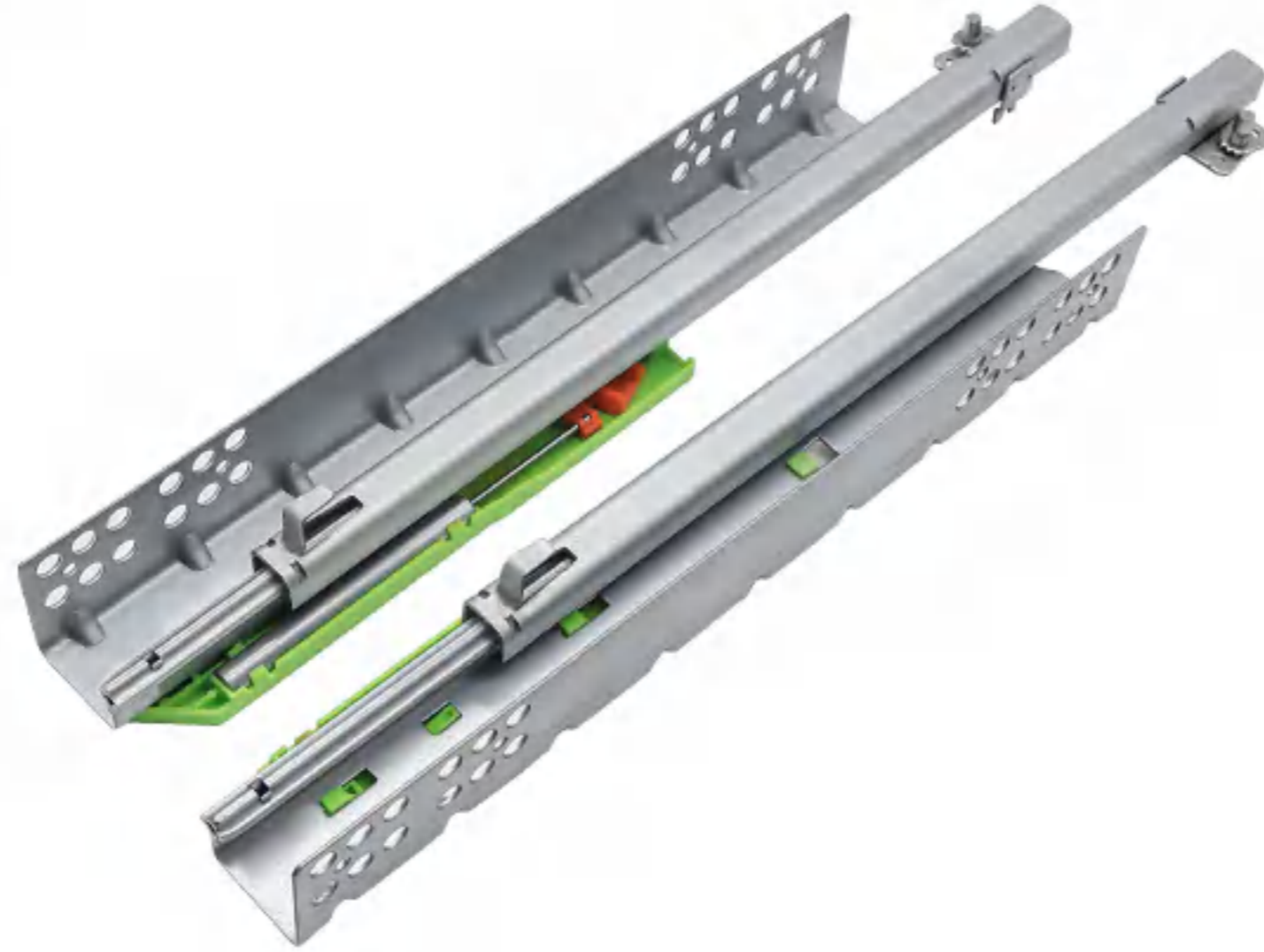
# SD-V216BT 二节半拉出缓冲滑轨

Pull out the buffer slide in two sections

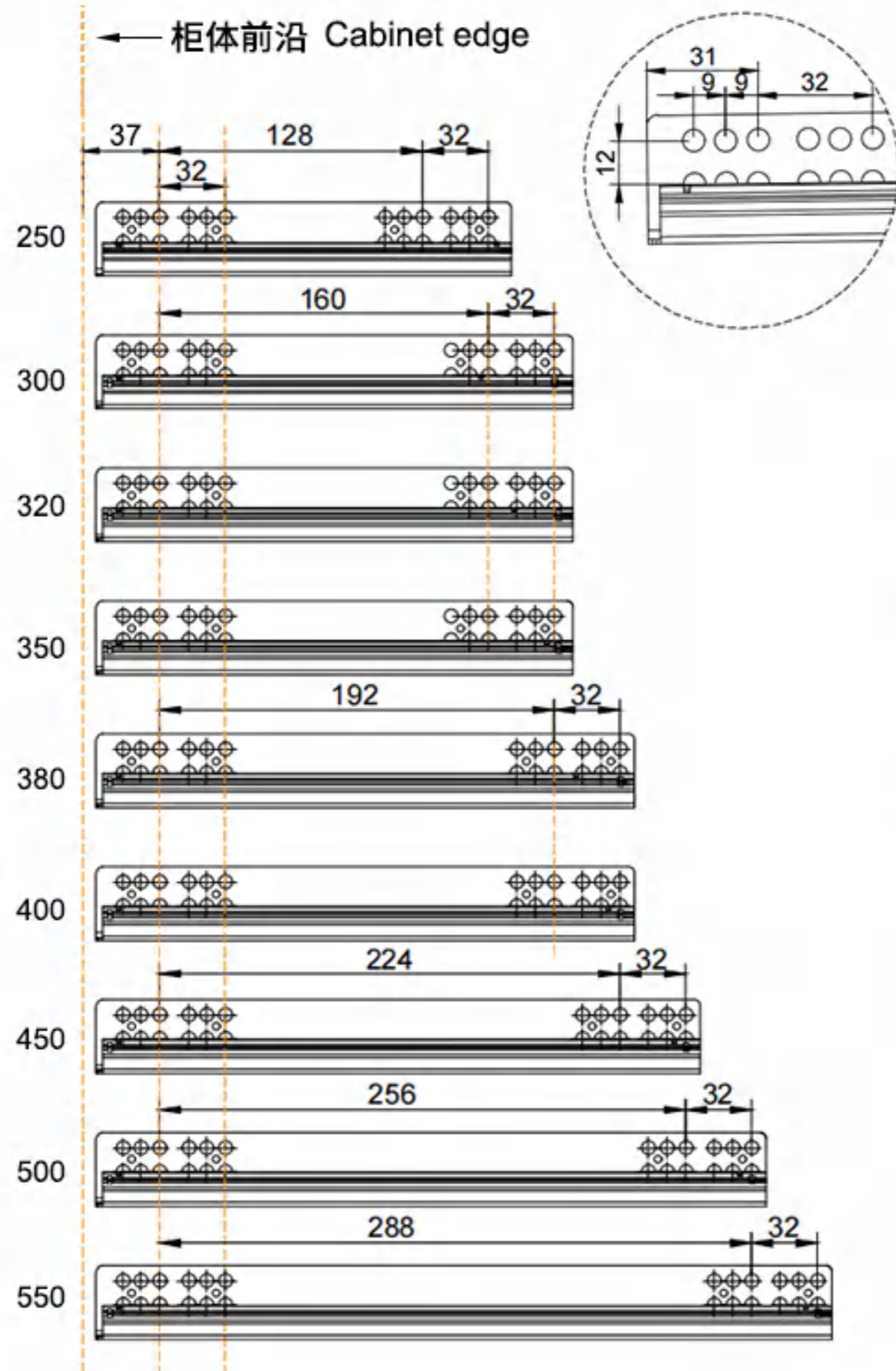
带调节钉，带缓冲关闭功能，适用于减尺16板 = 40mm 或 19板 = 49mm;  
SD-V216BT TWO-SECTION SLIDE RAIL WITH ADJUSTING PINS AND SOFT CLOSE

■ 产品 实图:

厚度(Thickness): 1.2\*1.2 mm  
1.4\*1.4 mm



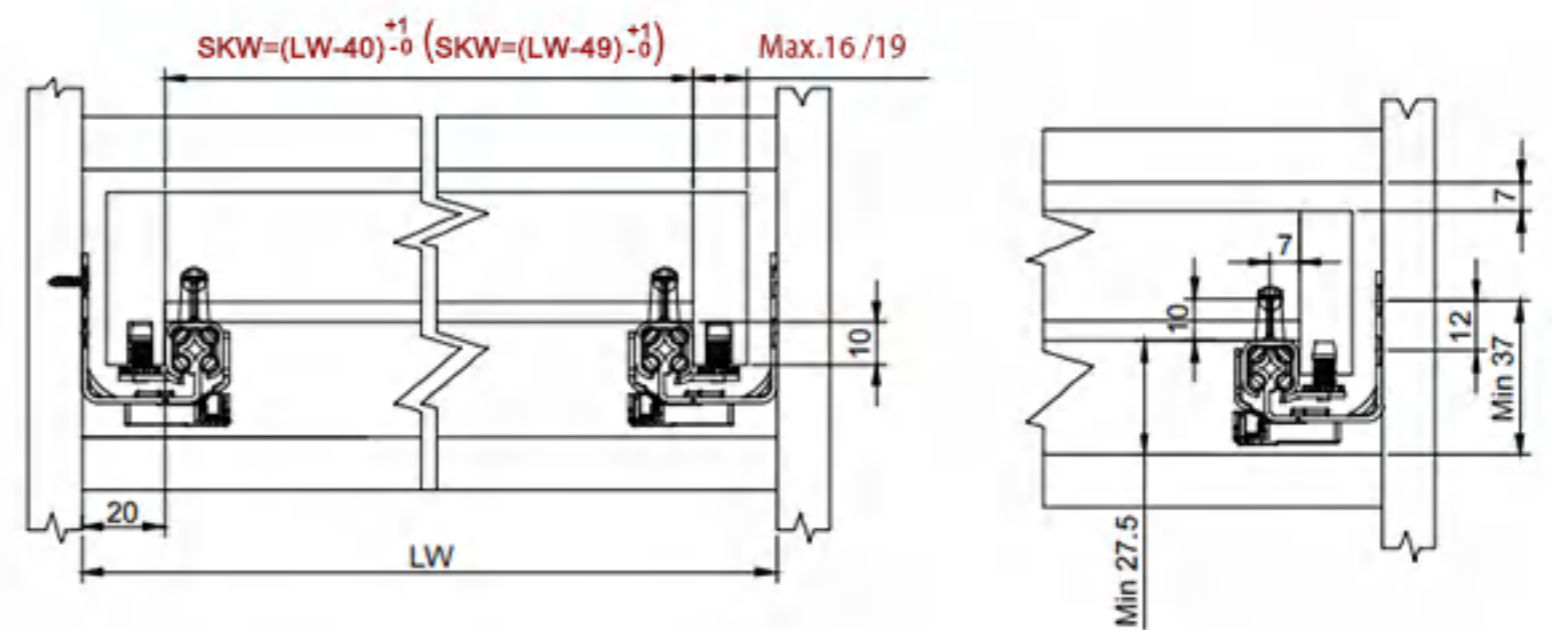
■ 滑轨安装尺寸 Slide Rail Installation Dimensions(mm)



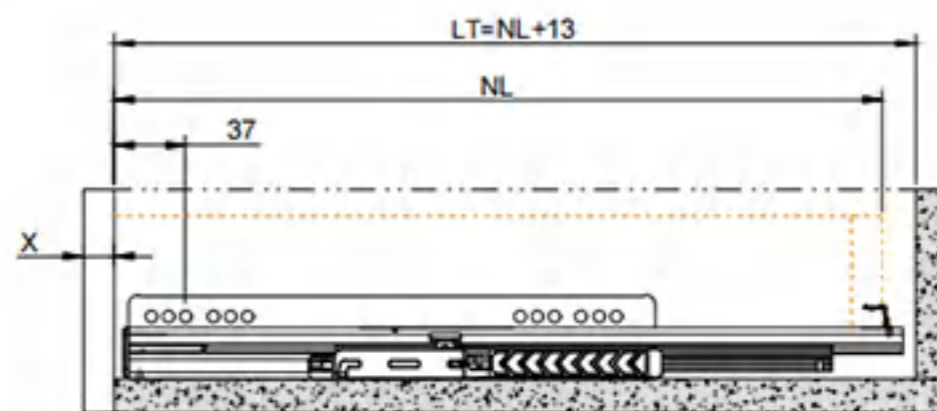
柜体所需空间 Inner cabinet space requirement

适用于减尺16板 = 40mm 或 19板 = 49mm

Applicable for size deduction: 16mm panel=40mm( or 19mm panel=49mm)



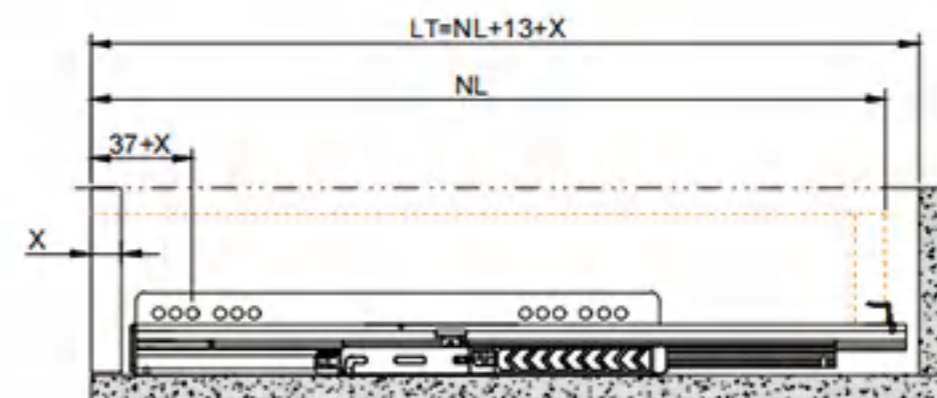
外置抽屉 Standard drawer



NL=滑轨标称长度  
NL=Nominal Slide Length

LT=柜体内部深度  
LT=Carbinet Length

内置抽屉 Inner drawer

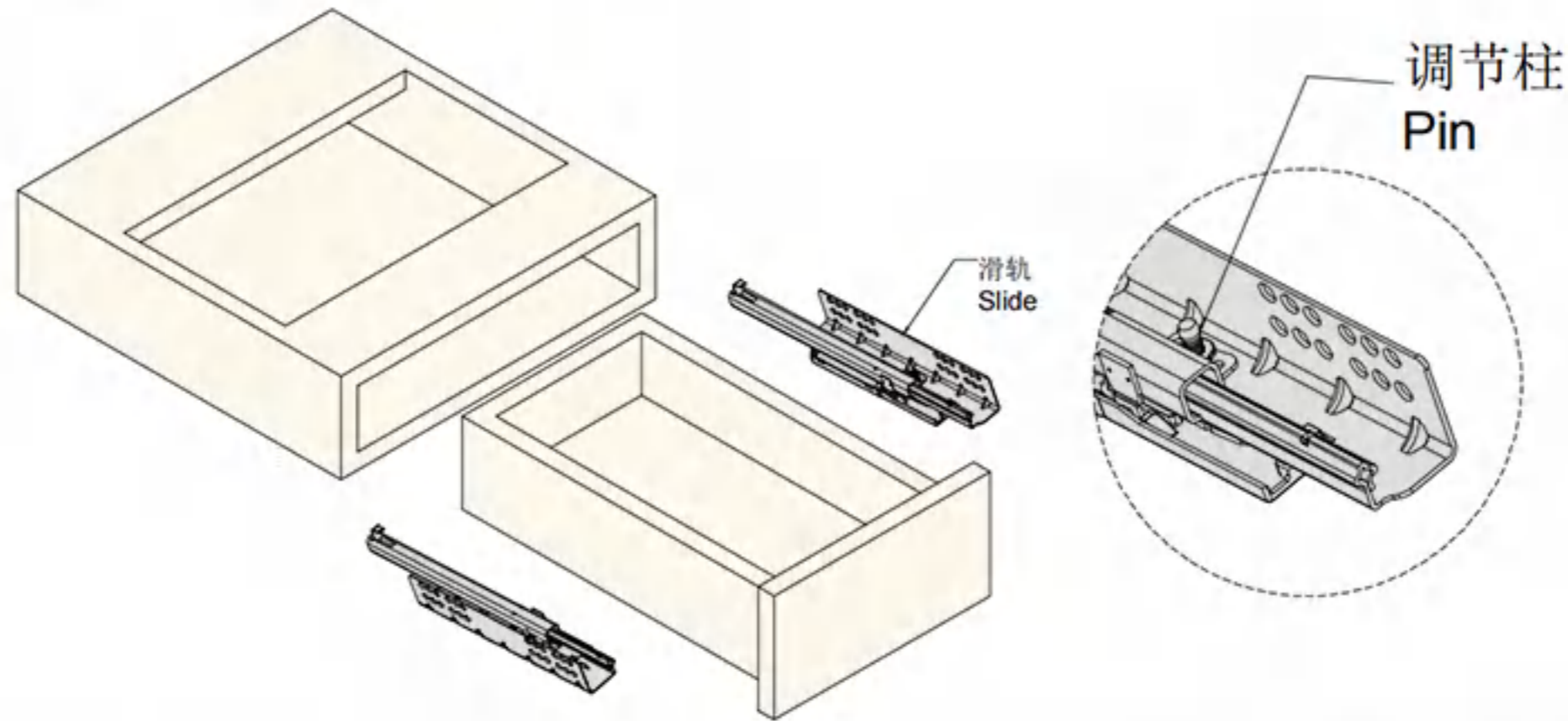
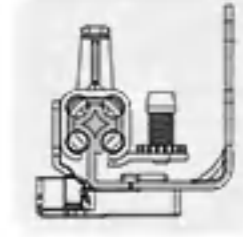


LW=柜体内部宽度  
LW=Carbinet inner net width

SKW=抽屉内部宽度  
SKW=Drawer inner net width

安装指南;柜体尺寸设计

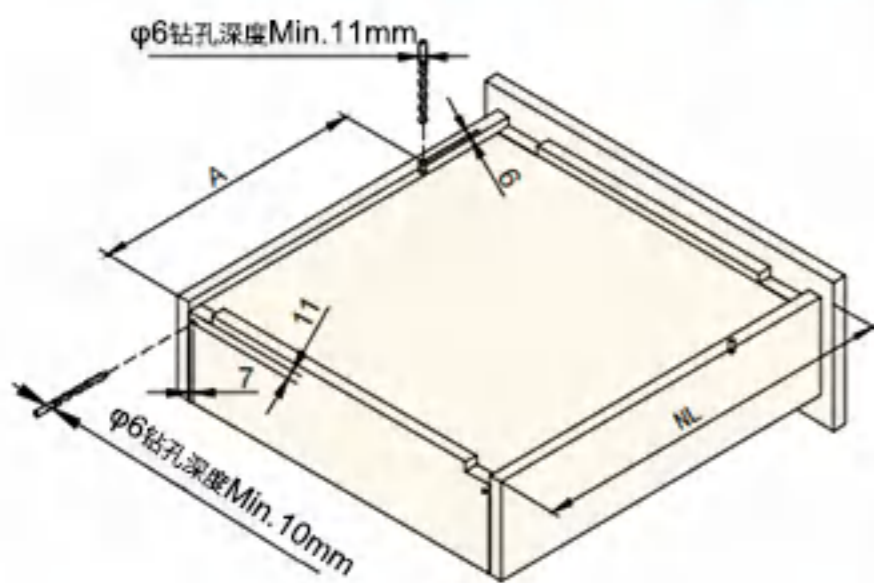
SD-V216BT INSTALLTION CABINET SIZE DIMENSION



规格 Specifications	抽屉长度(NL)(mm) Drawer length	滑轨长度(mm) Slides length	最小柜深(LT)(外抽/内抽)(mm) Min cabinet depth(Standard/Inner )	拉伸长度(mm) Pul-out length
10"	250	246	265/265+X	184.5
12"	300	296	315/315+X	234.5
13"	320	316	335/335+X	242.5
14"	350	346	365/365+X	272.5
15"	380	376	395/395+X	302.5
16"	400	396	415/415+X	310.5
18"	450	446	465/465+X	348.5
20"	500	496	515/515+X	386.5

■ 抽屉后板开槽钻孔尺寸

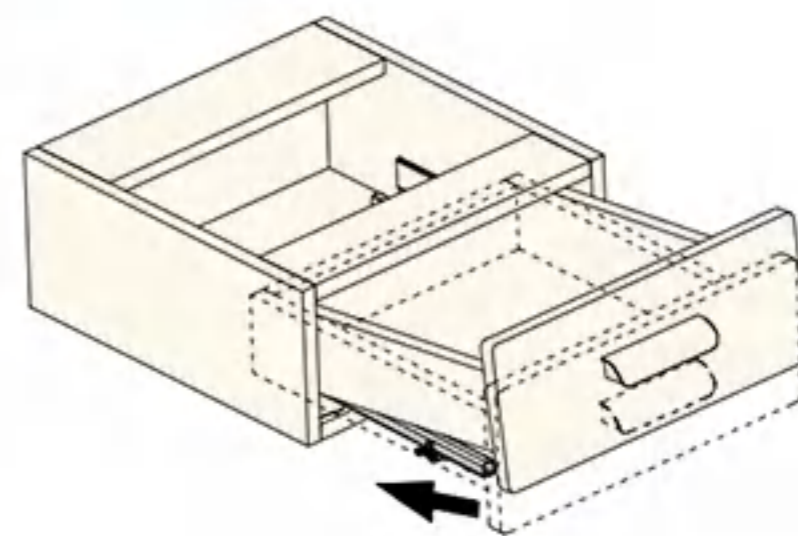
Hole size on rear panel of the drawer



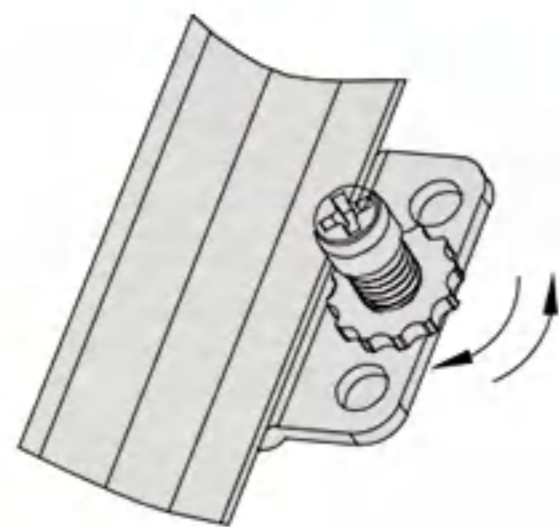
NL	A	NL	A
250	187	400	248
300	187	450	282
320	220	500	308
350	220		
380	248		

■ 抽屉安装

Drawer Installation

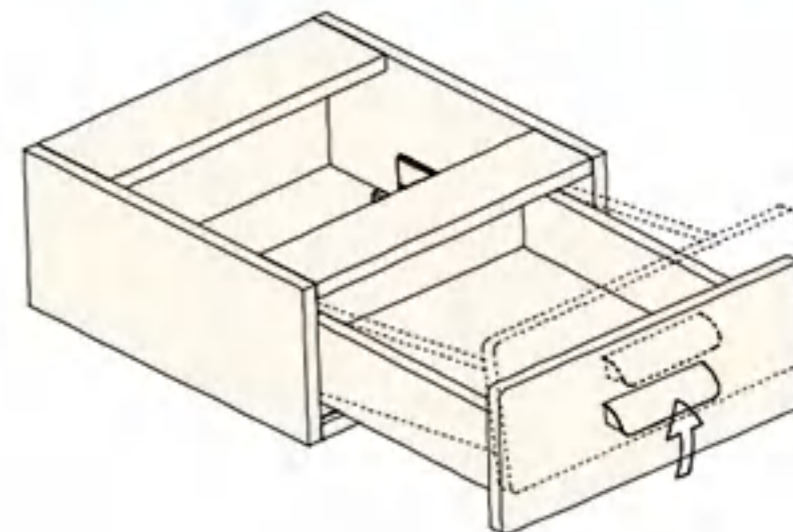


■ 抽屉调节 Adjustment of the drawer



可通过调节轮调节抽屉高度4mm  
The drawer may be adjusted in height for 4mm by rotating the adjustable handwheel.

■ 抽屉拆卸 Removal of the drawer



抽屉拆卸时, 双手轻压分离器, 见箭头方向, 即可拆卸  
Hold the plastic gently according to the direction of the arrow when removing the drawer. then the drawer can be demounted easily.



# SD-V216BT自锁 二节半拉出滑轨

Two-section Extension Drawer Slide

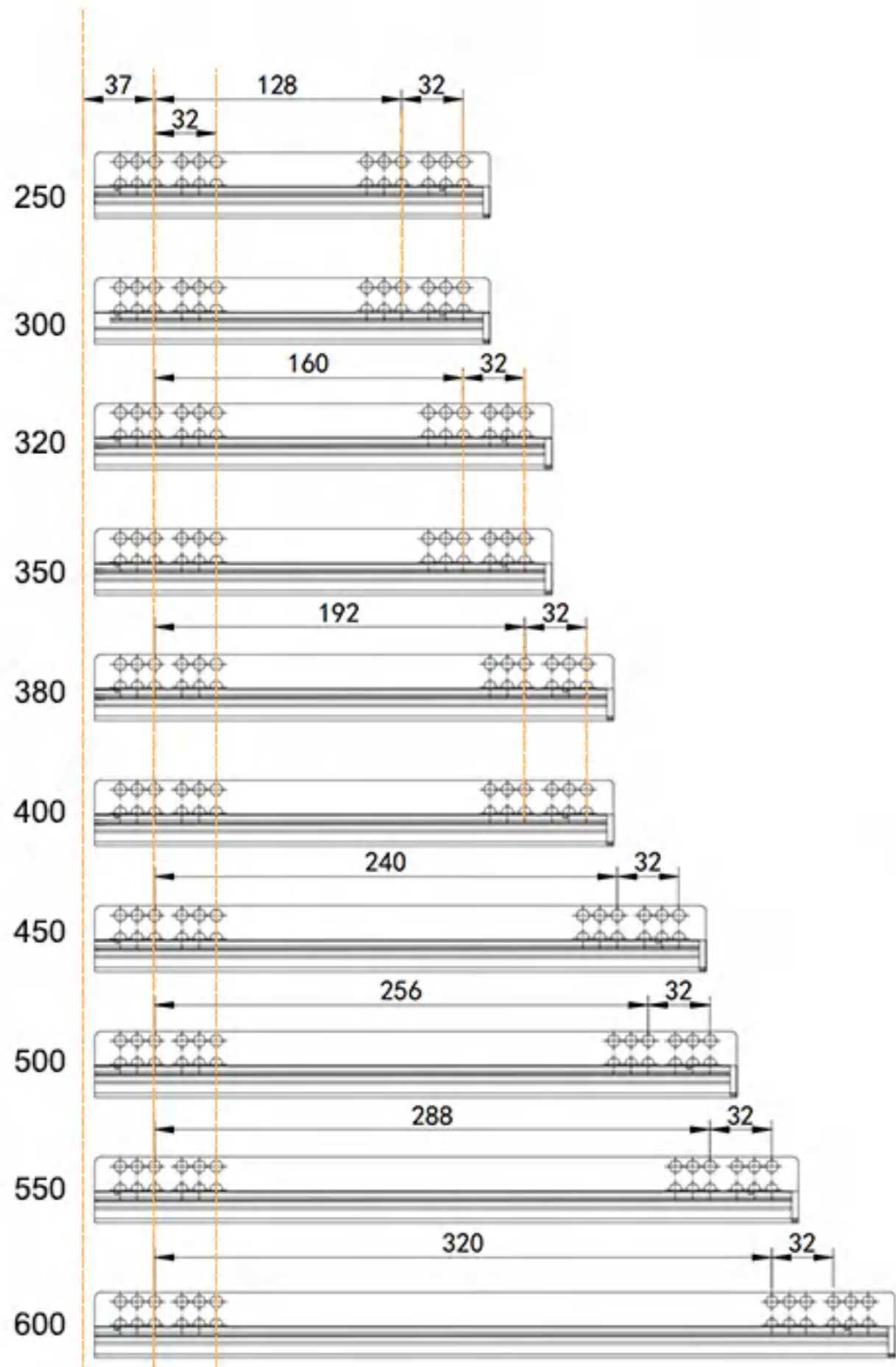
带调节钉，带自动锁定功能，适用于减尺16板 = 40mm 或 19板 = 49mm;  
SD-V216BT SELF-LOCKING TWO-SECTION SLIDE RAIL WITH ADJUSTING PINS

■ 产品 实图:

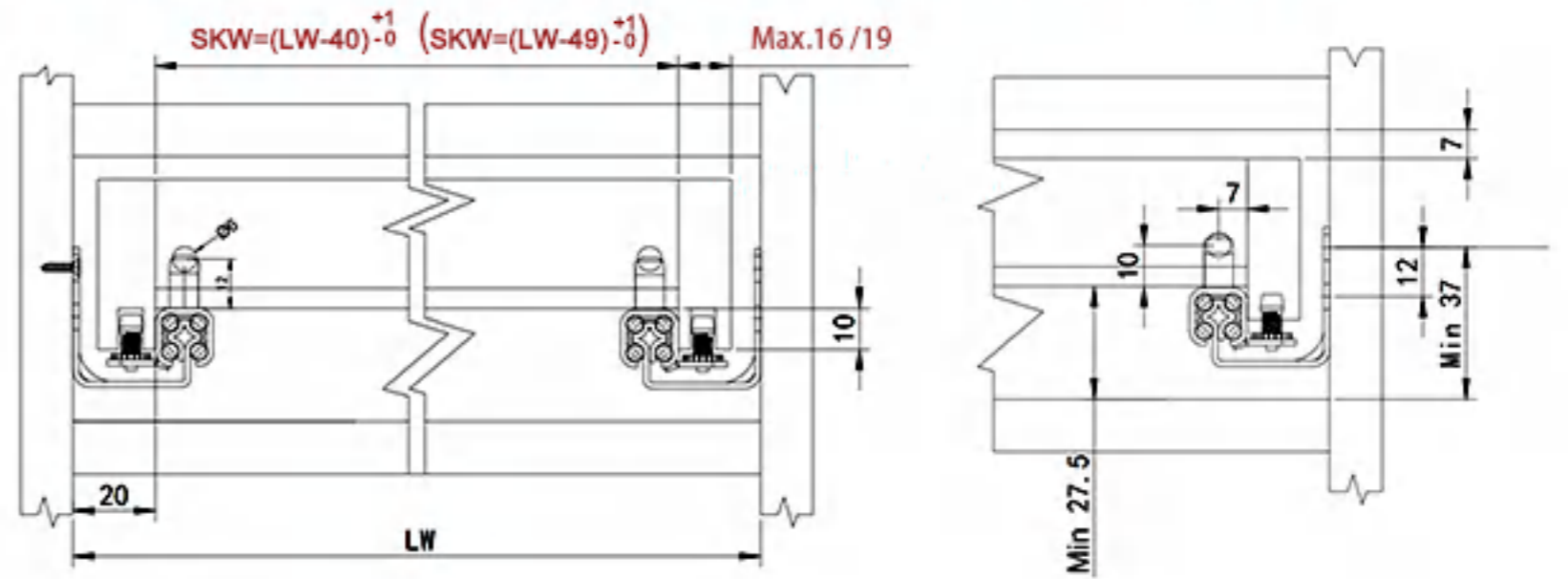
厚度(Thickness): 1.2\*1.2 mm  
1.4\*1.4 mm



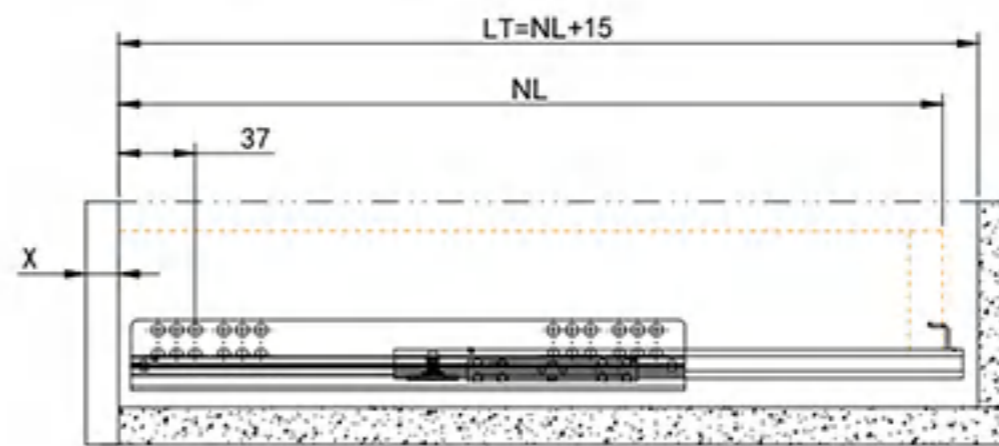
■ 滑轨所需空间 Required Space for Slide Rail(mm)



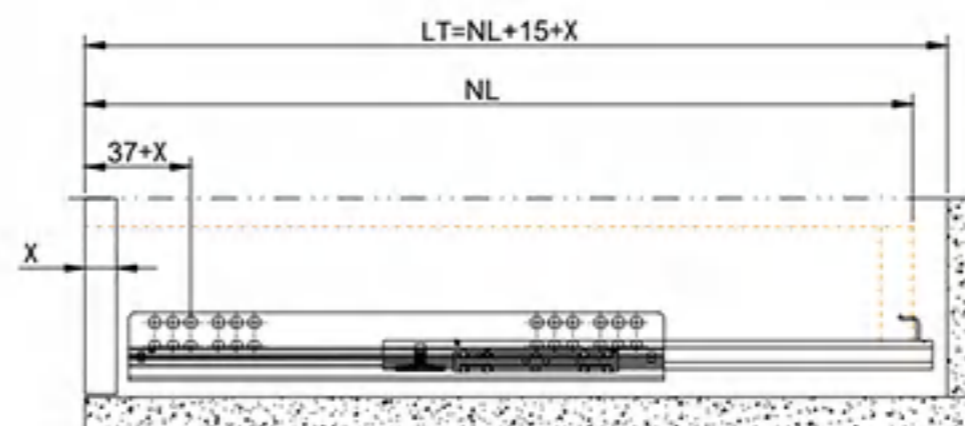
柜体所需空间 Inner cabinet space requirement  
适用于减尺16板 = 40mm 或 19板 = 49mm  
Applicable for size deduction: 16mm panel=40mm( or 19mm panel=49mm)



外置抽屉 Standard drawer



内置抽屉 Inner drawer



NL=滑轨标称长度  
NL=Nominal Slide Length

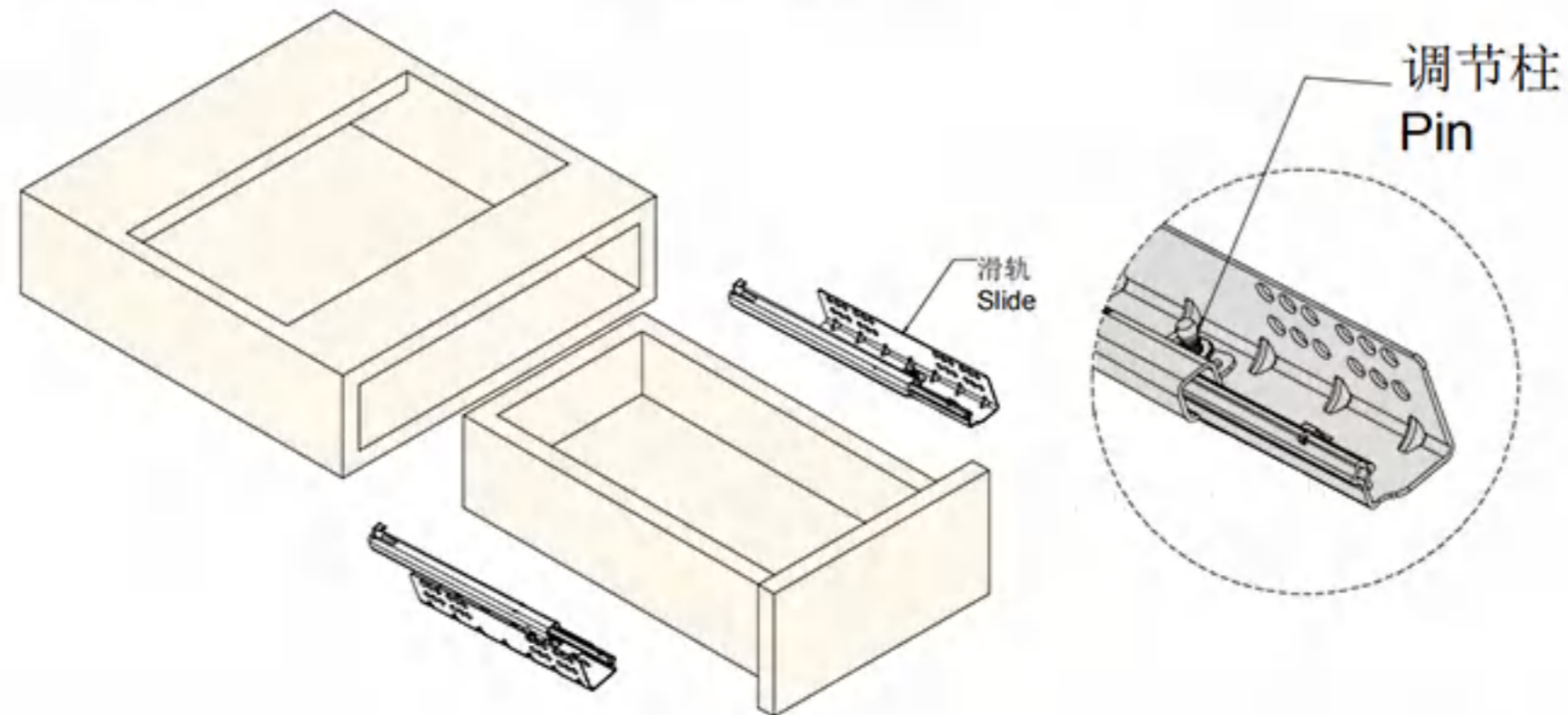
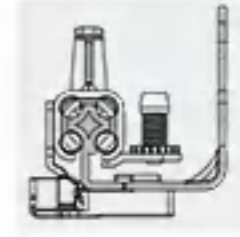
LT=柜体内部深度  
LT=Carbinet Length

LW=柜体内部宽度  
LW=Carbinet inner net width

SKW=抽屉内部宽度  
SKW=Drawer inner net width

安装指南;柜体尺寸设计

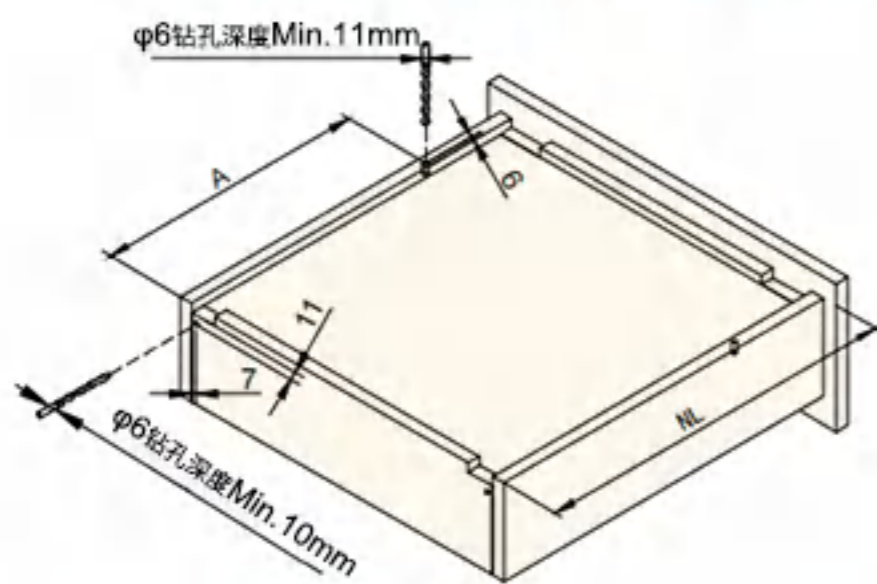
SD-V216BT SELF-LOCKING INSTALLTION CABINET SIZE DIMENSION



规格 Specifications	抽屉长度(NL)(mm) Drawer length	滑轨长度(mm) Slides length	最小柜深(LT)(外抽/内抽)(mm) Min cabinet depth(Standard/Inner )	拉伸长度(mm) Pul-out lenght
10"	250	246	265/265+X	184.5
12"	300	296	315/315+X	234.5
13"	320	316	335/335+X	242.5
14"	350	346	365/365+X	272.5
15"	380	376	395/395+X	302.5
16"	400	396	415/415+X	310.5
18"	450	446	465/465+X	348.5
20"	500	496	515/515+X	386.5
22"	550	546	565/565+X	436.5
24"	600	596	615/615+X	486.5

### ■ 抽屉后板开槽钻孔尺寸

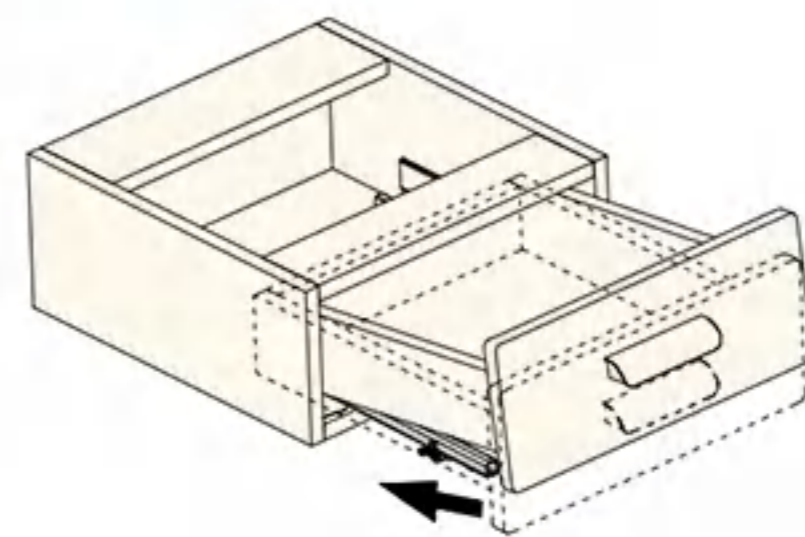
Hole size on rear panel of the drawer



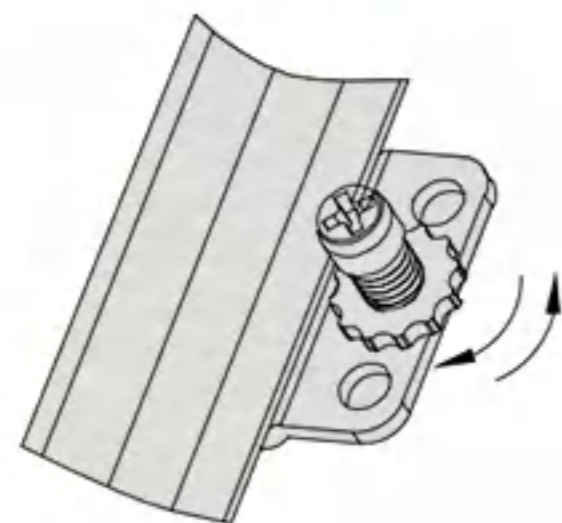
NL	A	NL	A
250	187	400	248
300	187	450	282
320	220	500	308
350	220	550	337
380	248	600	369

### ■ 抽屉安装

Drawer Installation

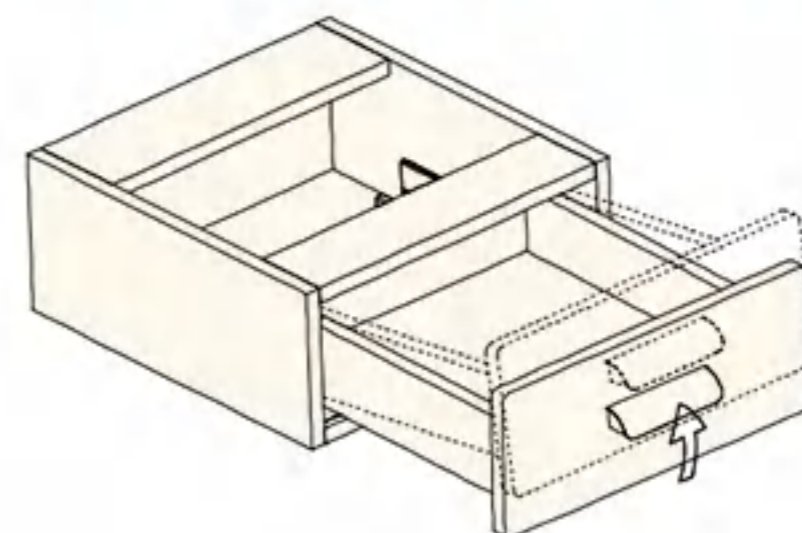


### ■ 抽屉调节 Adjustment of the drawer



可通过调节轮调节抽屉高度4mm  
The drawer may be adjusted in height for 4mm by rotating the adjustable handwheel.

### ■ 抽屉拆卸 Removal of the drawer



抽屉拆卸时, 双手轻压分离器, 见箭头方向, 即可拆卸  
Hold the plastic gently according to the direction of the arrow when removing the drawer. then the drawer can be demounted easily.



## SD-V216F 二节半拉出反弹隐藏滑轨

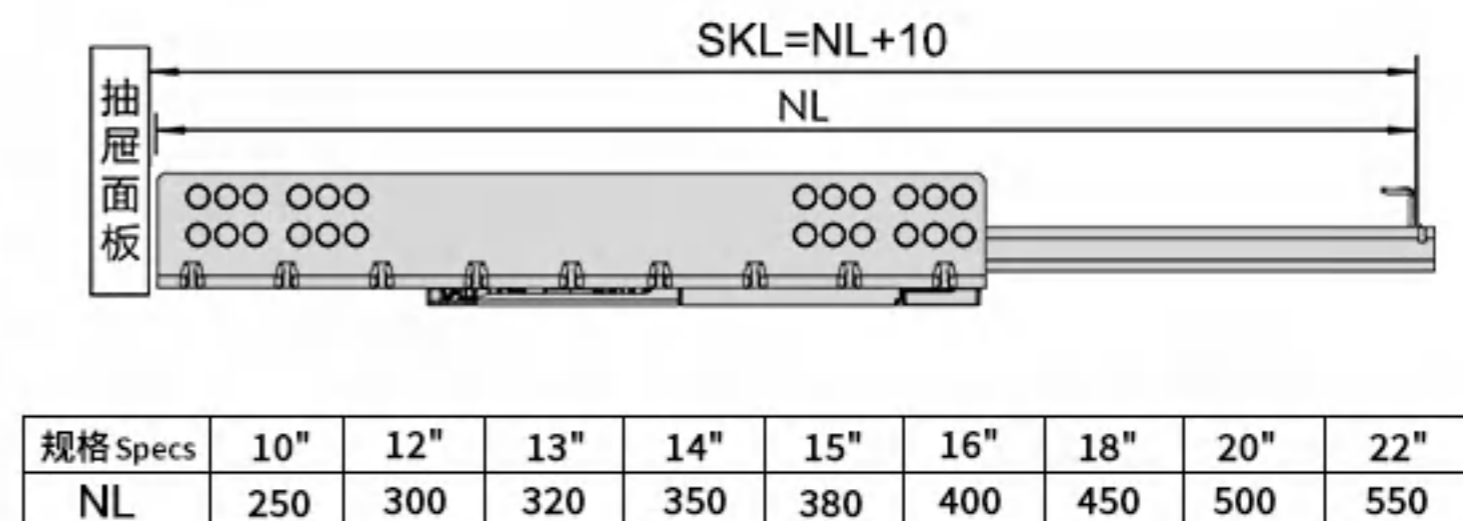
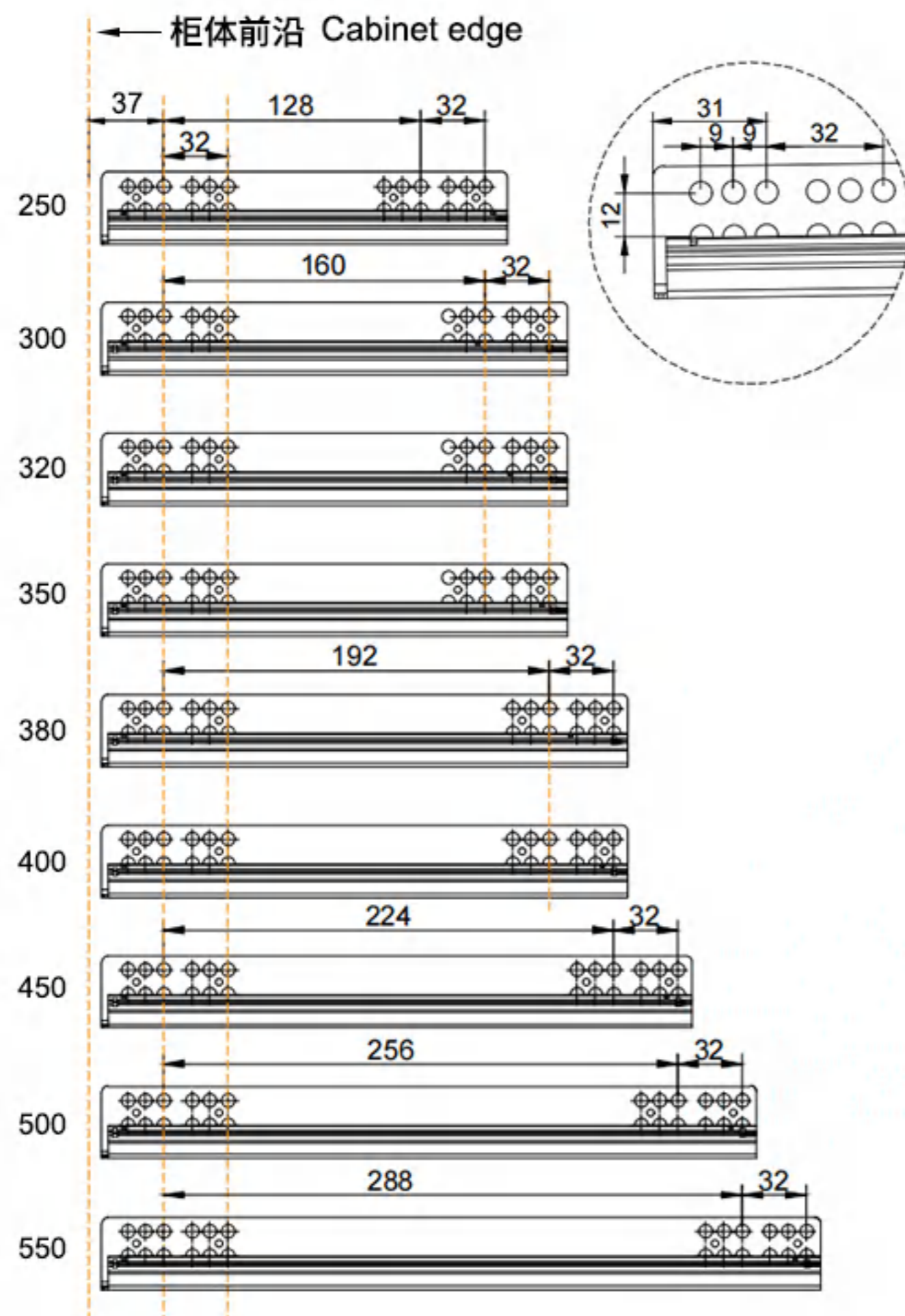
Pull out the rebound slide in two sections

带把手，反弹功能，适用于减尺16板 = 40mm 或 18板 = 49mm;  
SD-V216F EQUIPPED WITH GRIP & REBOUND OPENING FEATURE

### 产品实图:



### 滑轨安装尺寸 Slide Rail Installation Dimensions(mm)

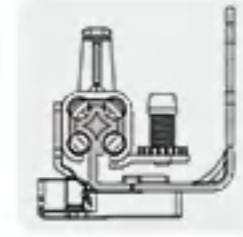


隐藏式半拉出缓冲导轨  
动态负载: 20kg(10"-20")  
材质: 镀锌钢板  
材料厚度(内/外轨): 1.2x1.2mm  
1.4x1.4mm  
带调节钉, 抽屜可快速安装和拆卸  
抽屜面板高度间隙可调1-3mm  
长度: 250mm-500mm  
包装规格: 10套/箱

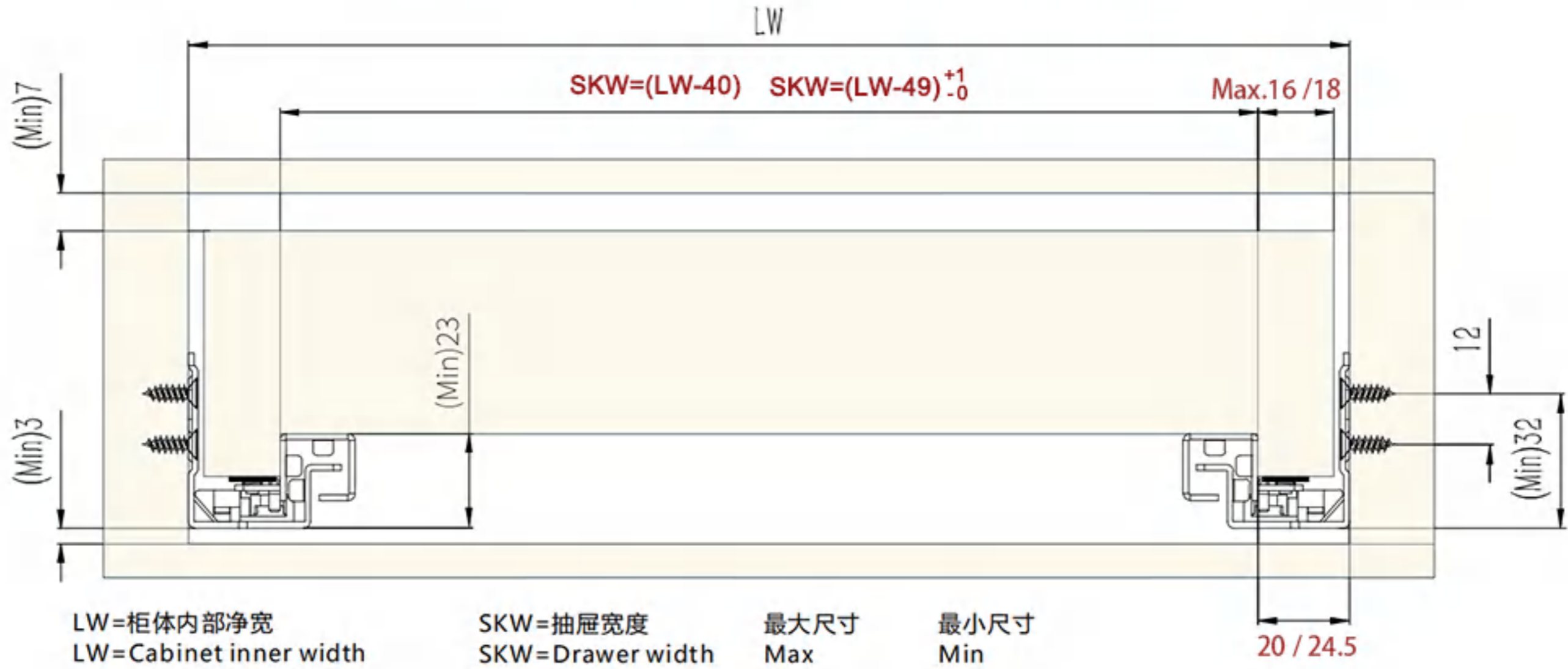
Half full extension two-fold soft close concealed slide  
Load rating: 20kg(10"-20")  
Material: Galvanized sheet  
Thickness of Material: 1.2x1.2mm  
1.4x1.4mm  
Adjusting pins Installation  
Drawer height adjustable by 1-3mm  
Length 250-500mm  
Packing: 10 sets/CTN

安装指南;柜体尺寸设计

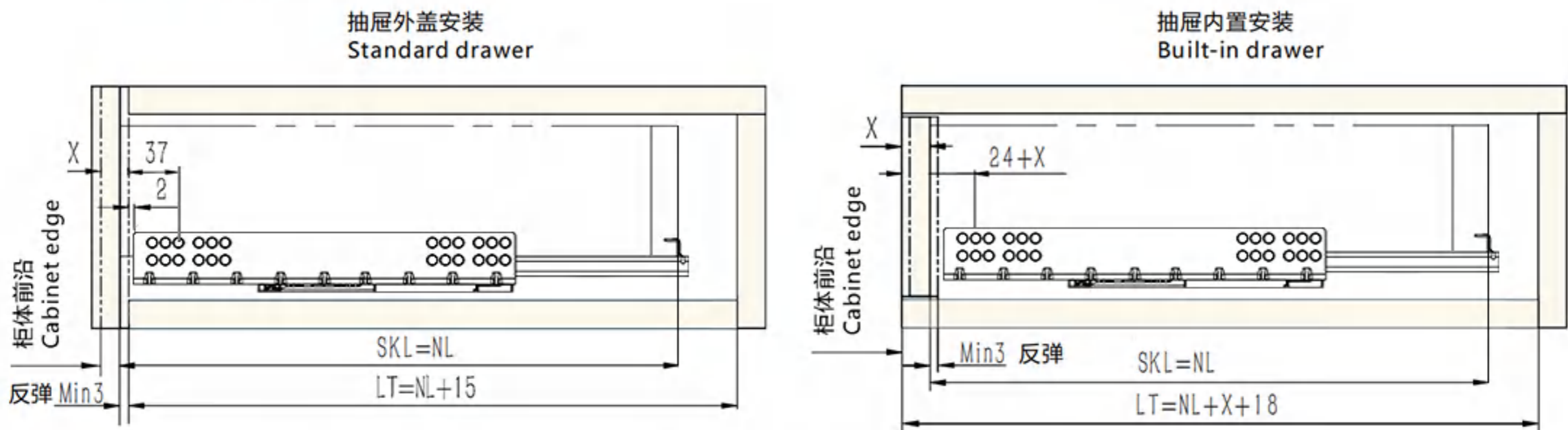
SD-V216F INSTALLTION CABINET SIZE DIMENSION



- **宽度尺寸** 适用于减尺16板 = 40mm 或 18板 = 49mm  
Width Dimension Applicable for size deduction: 16mm panel=40mm( or 18mm panel=49mm)

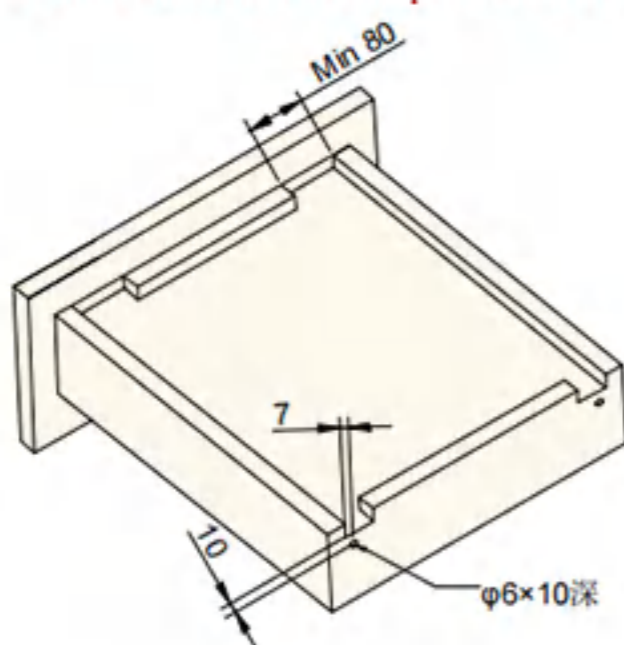


- **深度尺寸**  
Depth Dimension

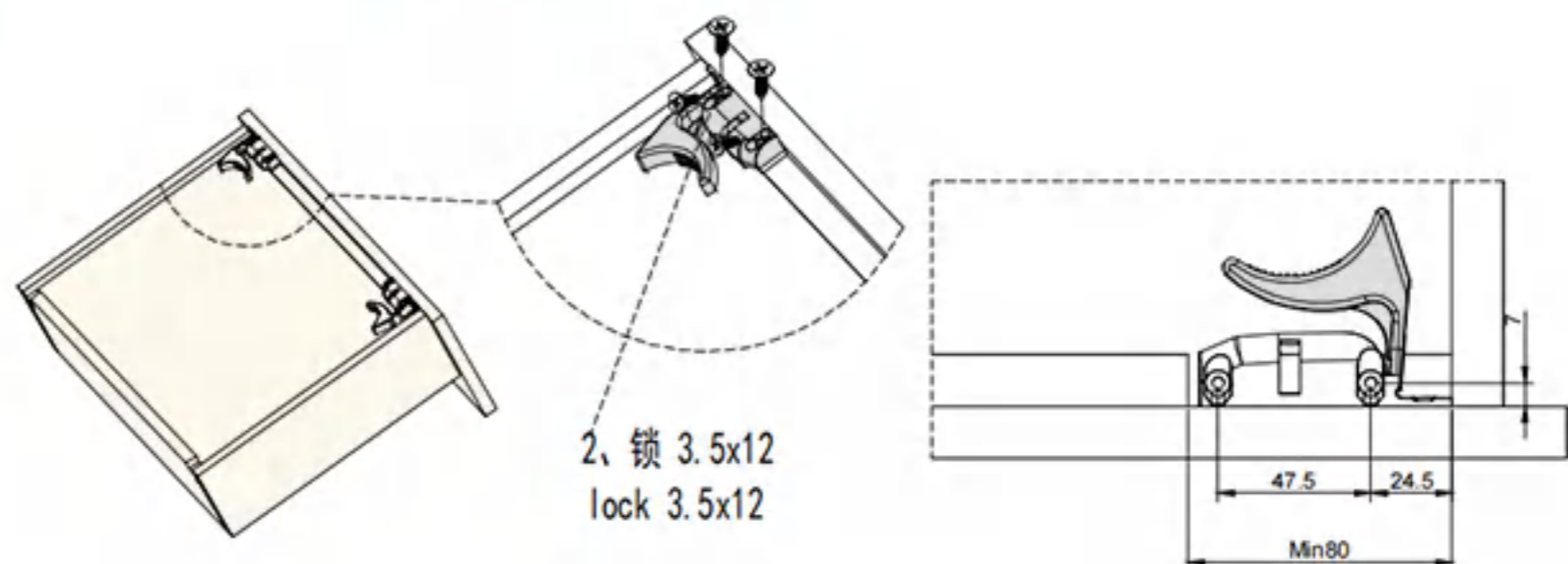


NL=导轨标称长度 NL=Nominal slide length  
LT=柜体内部深度 LT=Cabinet Inner depth  
SKL=抽屉长度 SKL=Drawer length  
X=抽屉面板厚度 X=Drawer panel thickness

- **抽屉后板开槽钻孔尺寸**  
Hole size on rear panel of the drawer



- **扣把安装**  
Locking to cabinet





## SD-V216F 二节半拉出反弹隐藏滑轨

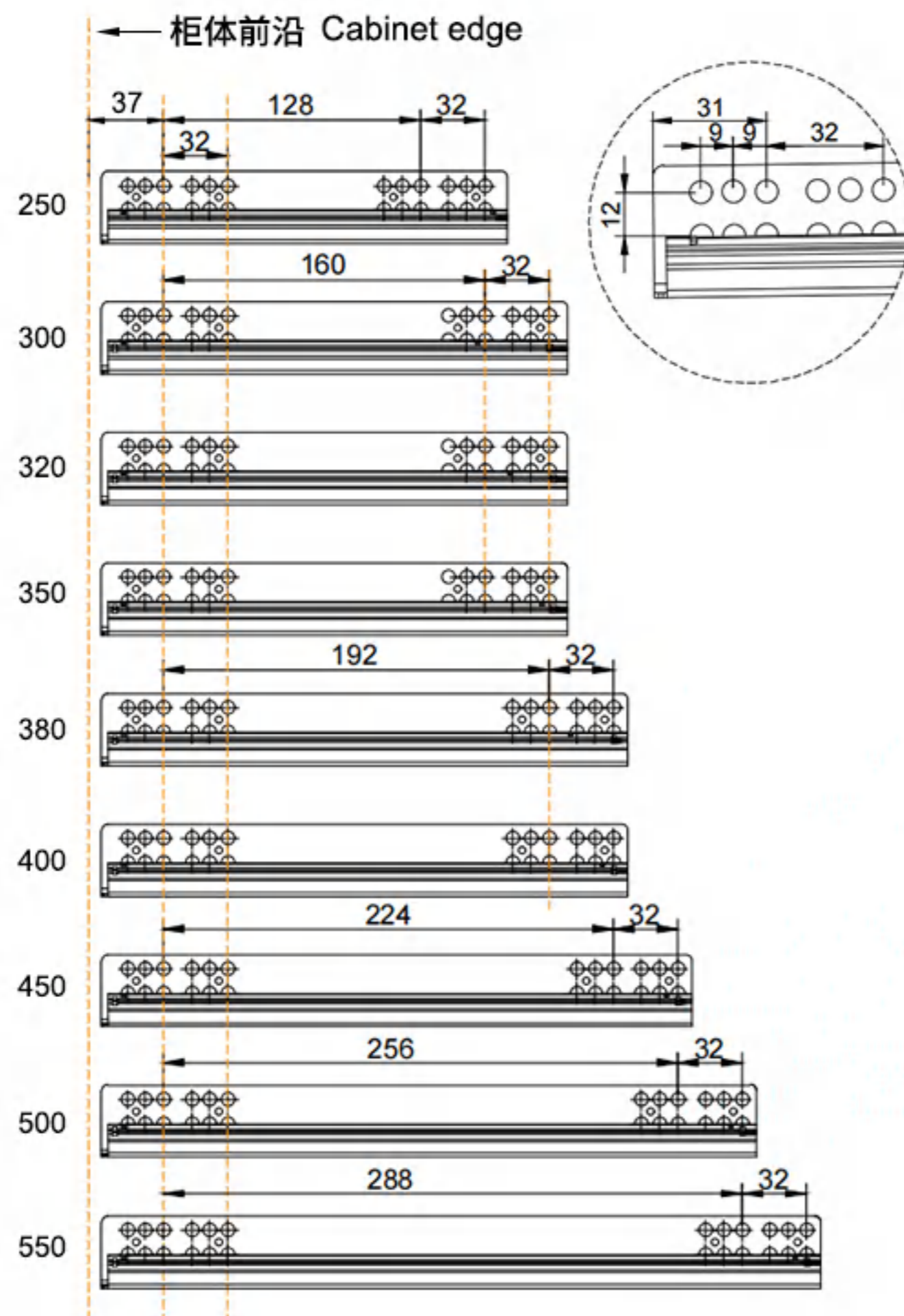
Pull out the rebound slide in two sections

带调节钉，反弹功能，适用于减尺16板 = 40mm 或 18板 = 49mm;  
SD-V216F TWO-FOLD REBOUND CONCEALED SLIDE

### 产品实图:



### 滑轨安装尺寸 Slide Rail Installation Dimensions(mm)



规格 Specs	10"	12"	13"	14"	15"	16"	18"	20"	22"
NL	250	300	320	350	380	400	450	500	550

#### 隐藏式半拉出缓冲导轨

动态负载: 20kg(10"-20")

材质: 镀锌钢板

材料厚度(内/外轨): 1.2x1.2mm

1.4x1.4mm

带调节钉, 抽屜可快速安装和拆卸

抽屜面板高度间隙可调1-3mm

长度: 250mm-500mm

包装规格: 10套/箱

Half full extension two-fold soft close concealed slide

Load rating: 20kg(10"-20")

Material: Galvanized sheet

Thickness of Materia: 1.2x1.2mm

1.4x1.4mm

Adjusting pins Installation

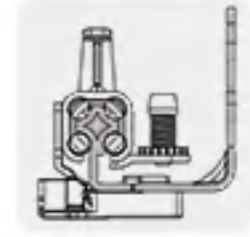
Drawer height adjustable by 1-3mm

Length 250-500mm

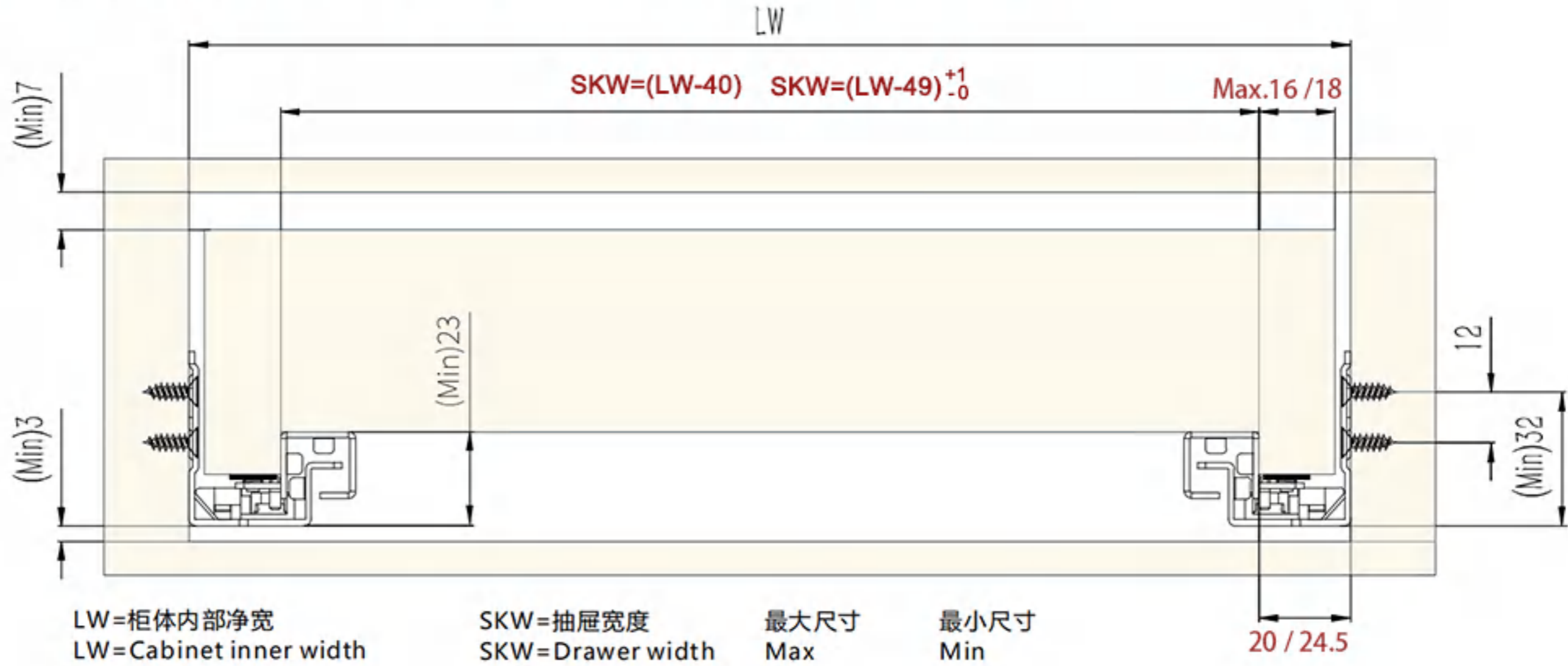
Packing: 10 sets/CTN

安装指南;柜体尺寸设计

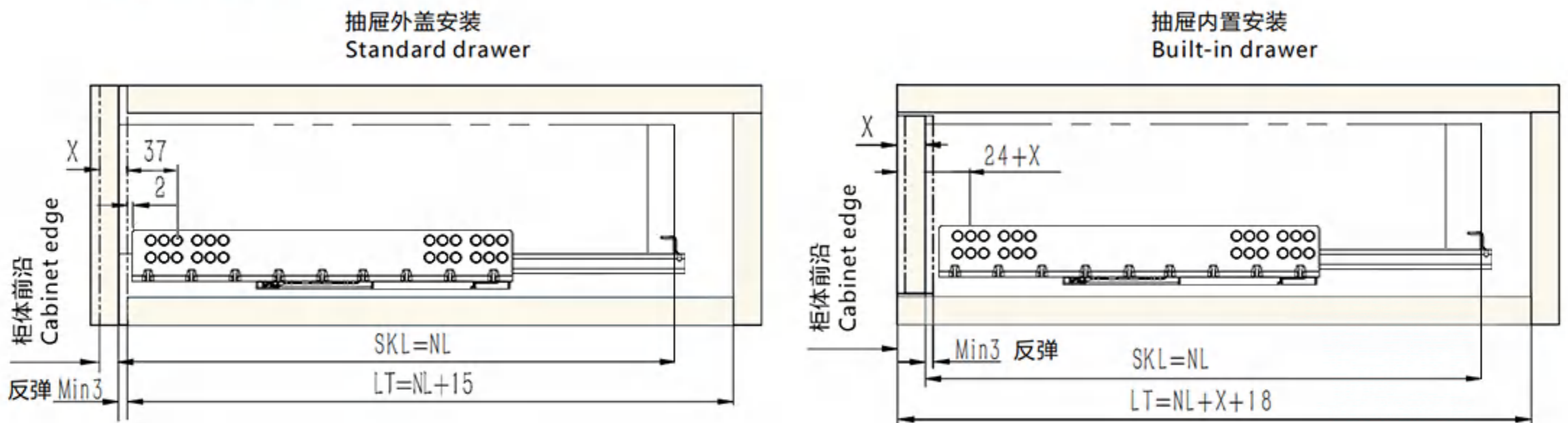
SD-V216F INSTALLTION CABINET SIZE DIMENSION



- **宽度尺寸** 适用于减尺16板 = 40mm 或 18板 = 49mm  
Width Dimension Applicable for size deduction: 16mm panel=40mm( or 18mm panel=49mm)

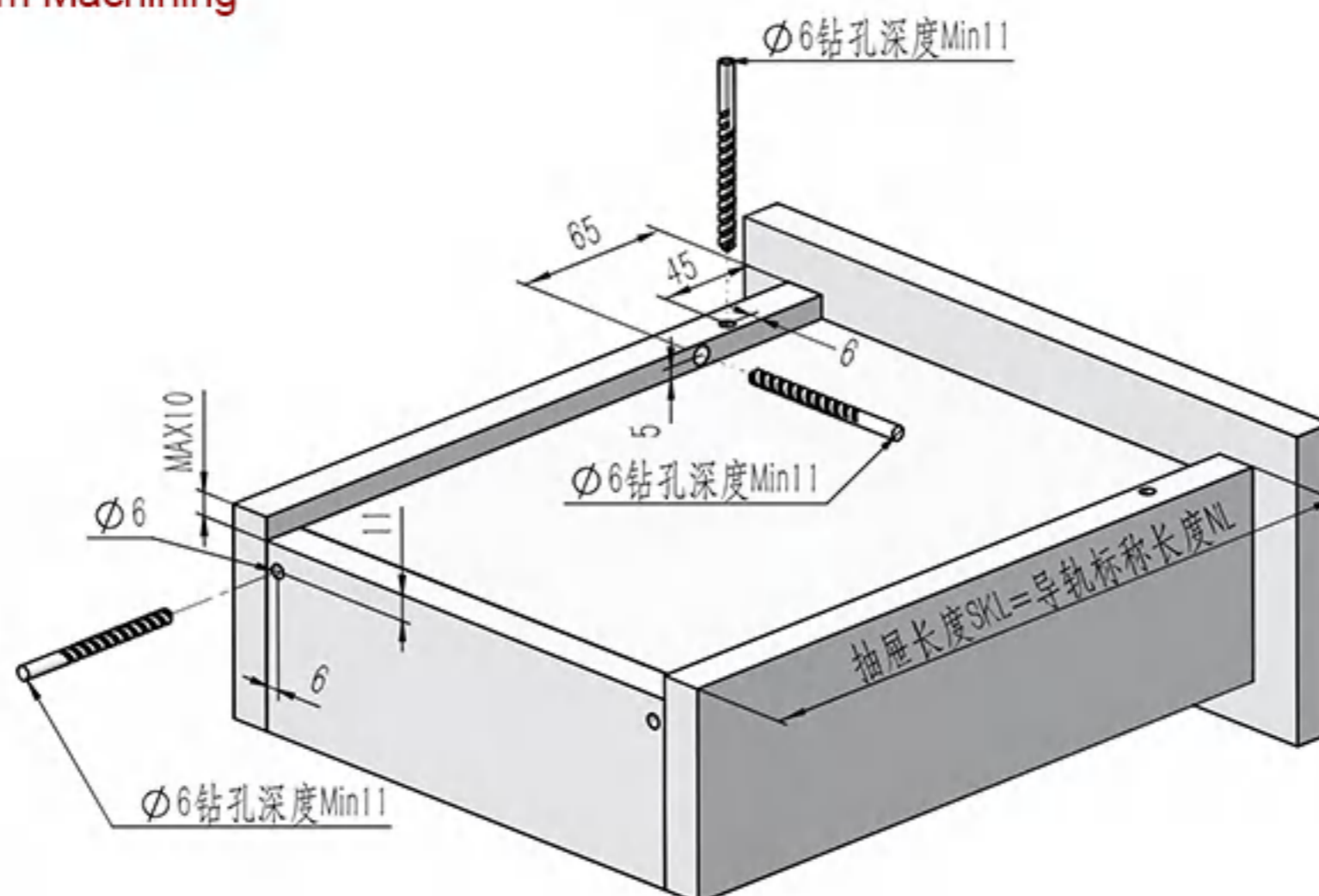


- **深度尺寸**  
Depth Dimension



NL=导轨标称长度 NL=Nominal slide length  
LT=柜体内部深度 LT=Cabinet Inner depth  
SKL=抽屉长度 SKL=Drawer length  
X=抽屉面板厚度 X=Drawer panel thickness

- **底部加工 Bottom Machining**





# SD-V616B2 三节全拉出缓冲滑轨

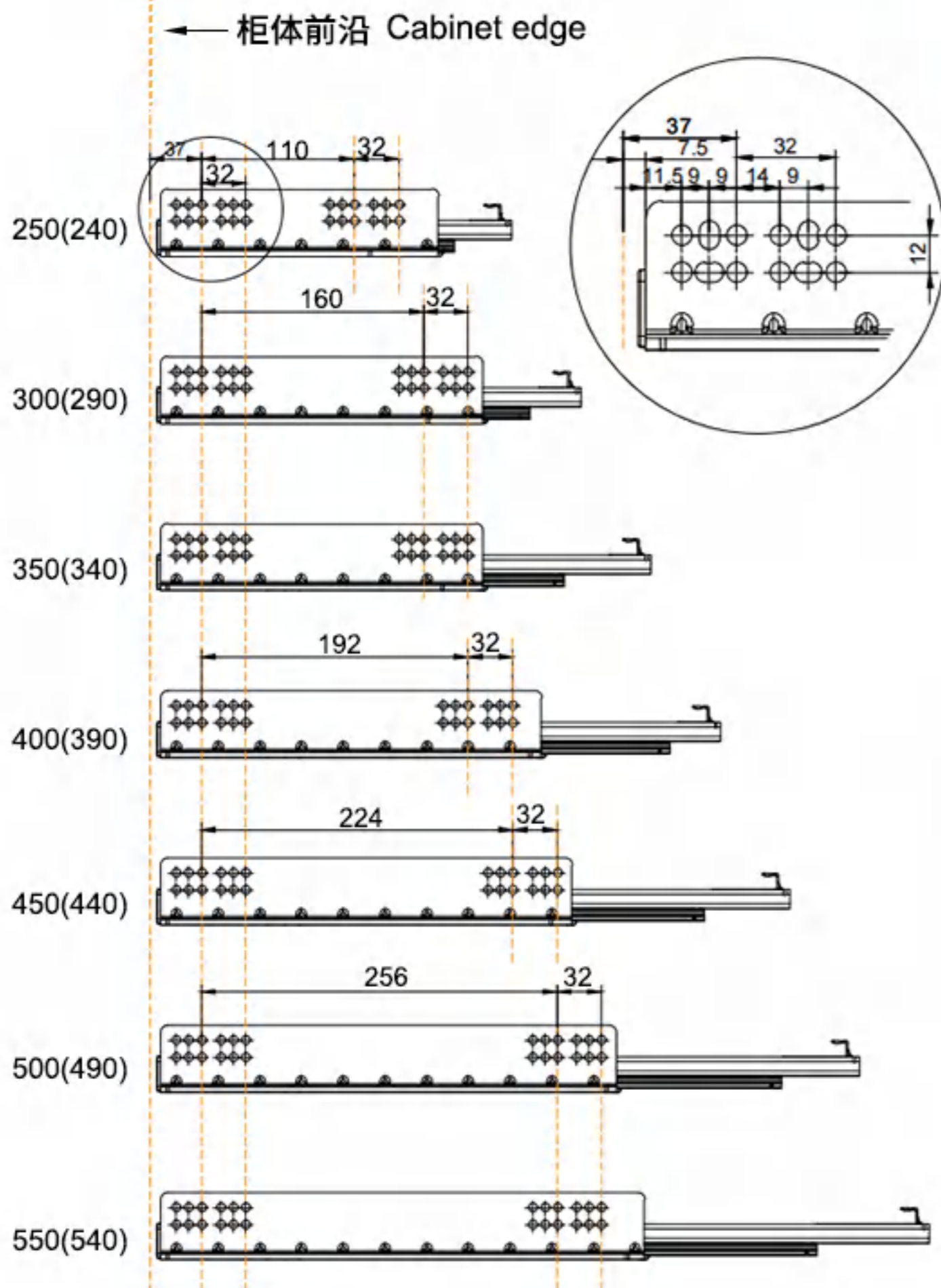
Pull out the buffer slide in three sections

带二维把手，带缓冲关闭功能，适用于减尺16板 = 40mm 或 19板 = 49mm;  
SD-V616B2 THREE-SECTION HANDLE-EQUIPPED SOFT-CLOSE DRAWER SLIDE

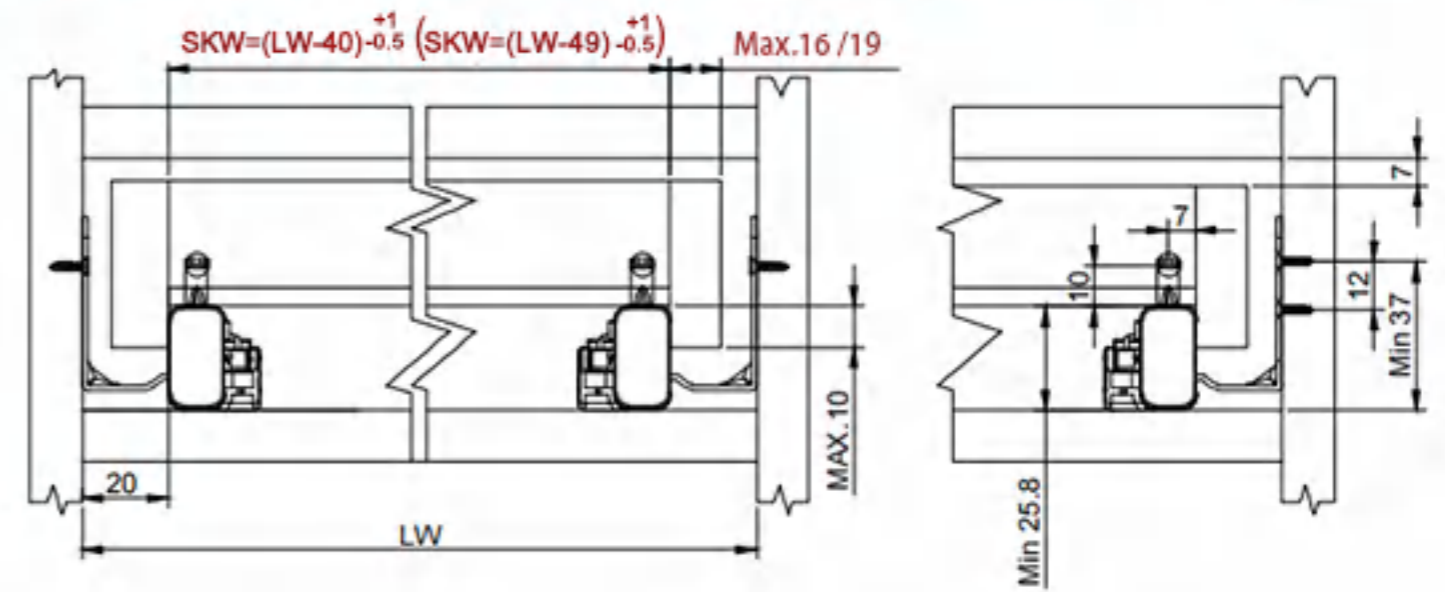
■ 产品实图:



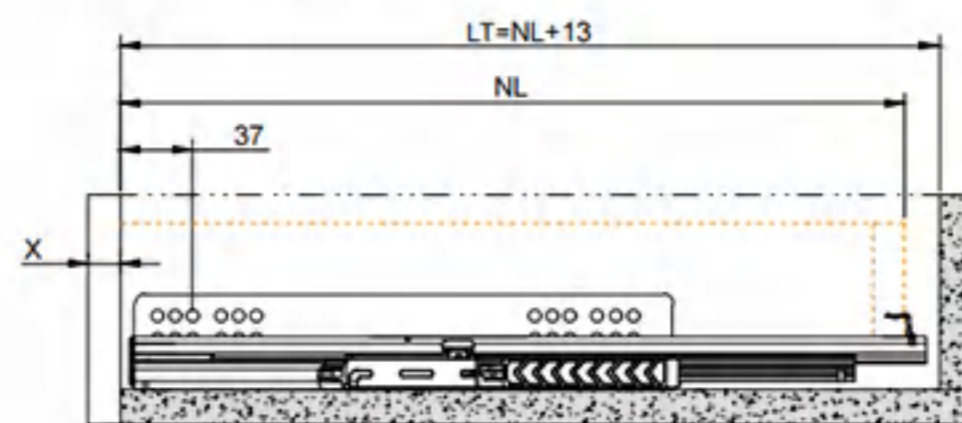
■ 滑轨安装尺寸 Slide Rail Installation Dimensions(mm)



柜体所需空间 Inner cabinet space requirement  
适用于减尺16板 = 40mm 或 19板 = 49mm  
Applicable for size deduction: 16mm panel=40mm( or 19mm panel=49mm)



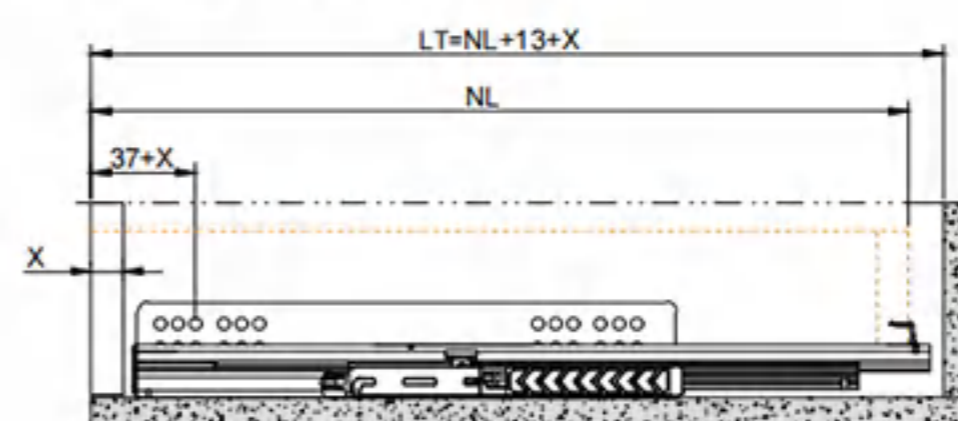
外置抽屉 Standard drawer



NL=滑轨标称长度  
NL=Nominal Slide Length

LT=柜体内部深度  
LT=Carbinet Length

内置抽屉 Inner drawer

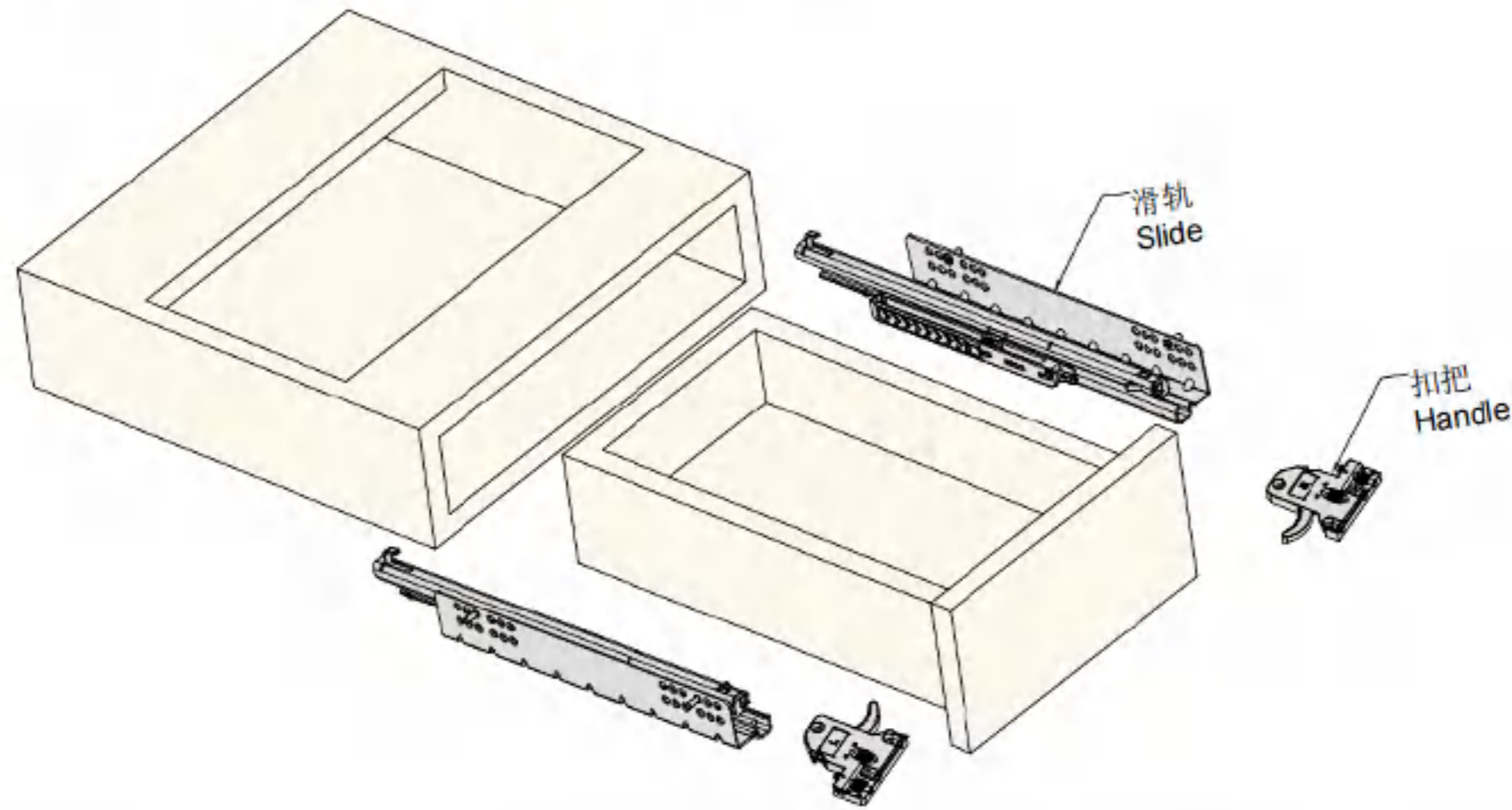
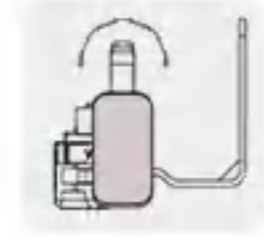


LW=柜体内部宽度  
LW=Carbinet inner net width

SKW=抽屉内部宽度  
SKW=Drawer inner net width

安装指南;柜体尺寸设计

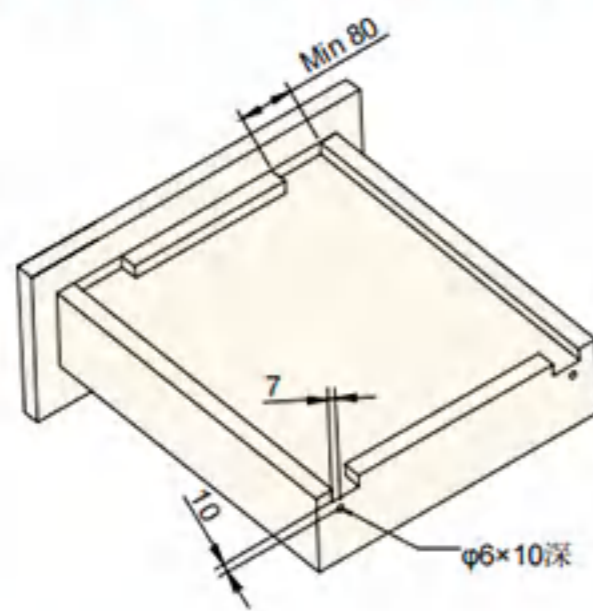
SD-V616B2 INSTALLTION CABINET SIZE DIMENSION



规格 Specifications	抽屉长度(NL)(mm) Drawer length	滑轨长度(mm) Slides length	最小柜深(LT)(外抽/内抽)(mm) Min cabinet depth(Standard/Inner )	拉伸长度(mm) Pul-out lenght
10"	250(240)	233.2(223.2)	263 / 263 + X (253 / 253 + X)	234(224)
12"	300(290)	283.2(273.2)	313 / 313 + X (313 / 313 + X)	284(274)
14"	350(340)	333.2(323.2)	363 / 363 + X (363 / 363 + X)	334(324)
16"	400(390)	383.2(373.2)	413 / 413 + X (413 / 413 + X)	384(374)
18"	450(440)	433.2(423.2)	463 / 463 + X (463 / 463 + X)	434(424)
20"	500(490)	483.2(473.2)	513 / 513 + X (513 / 513 + X)	484(474)
22"	550(540)	533.2(523.2)	563 / 563 + X (563 / 563 + X)	534(524)

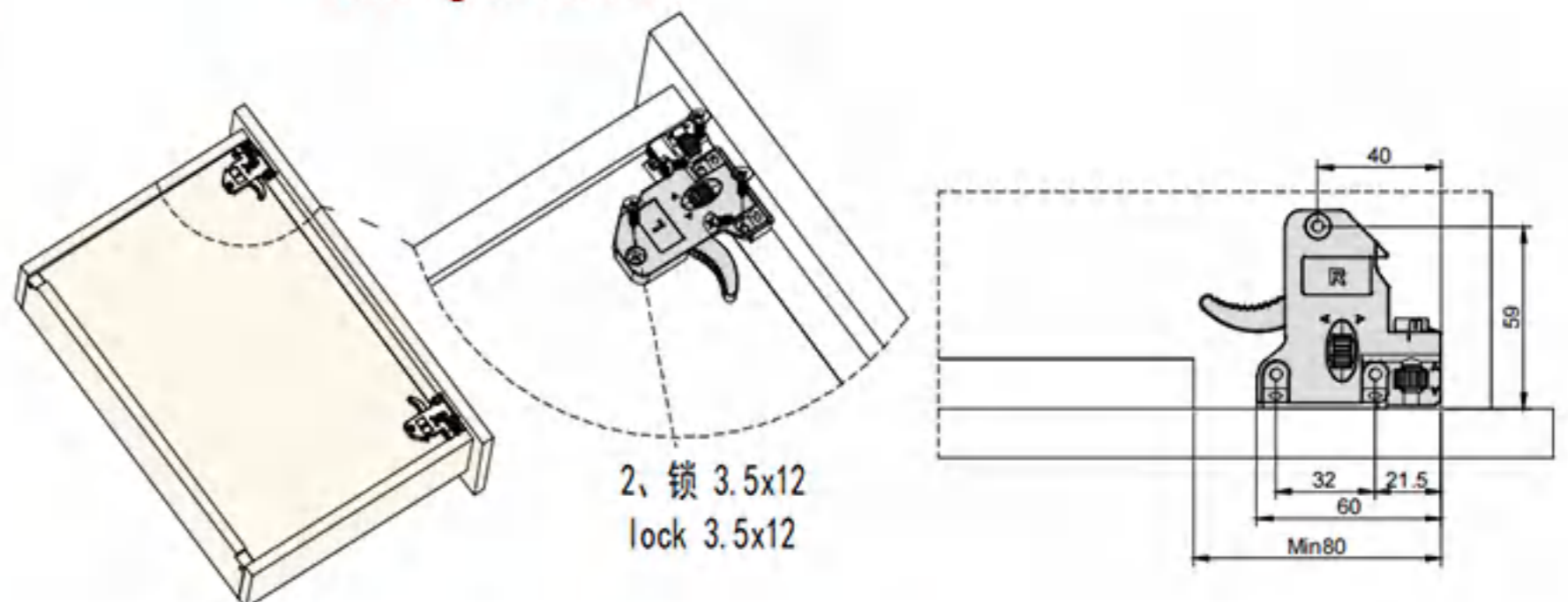
■ 抽屉后板开槽钻孔尺寸

Hole size on rear panel of the drawer

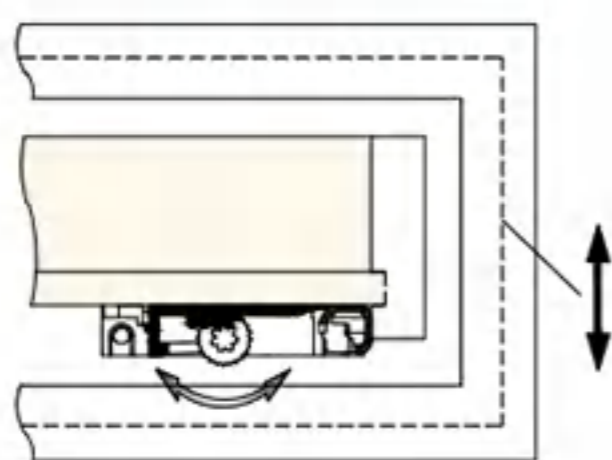


■ 扣把安装

Locking to cabinet

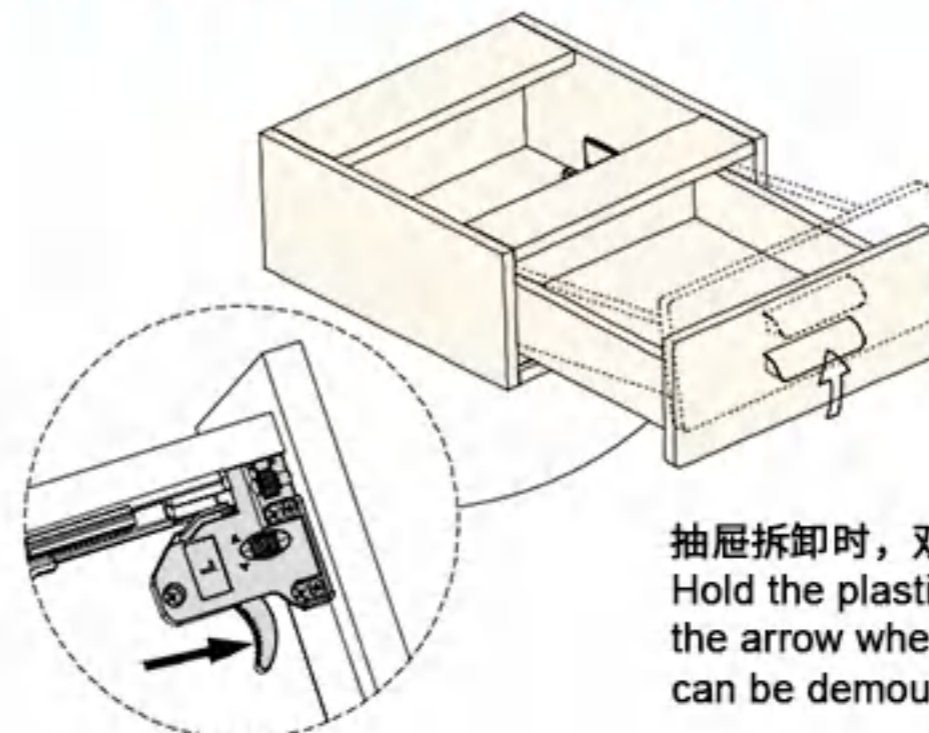


■ 抽屉调节 Adjustment of the drawer



抽屉可通过调节块来调节高度 +2mm  
The drawer may be adjusted in height for +2mm by rotating the adjustable plastic.

■ 抽屉拆卸 Removal of the drawer



抽屉拆卸时, 双手轻压分离器, 见箭头方向, 即可拆卸  
Hold the plastic gently according to the direction of the arrow when removing the drawer. then the drawer can be demounted easily.



# SD-V616BT 三节全拉出缓冲滑轨

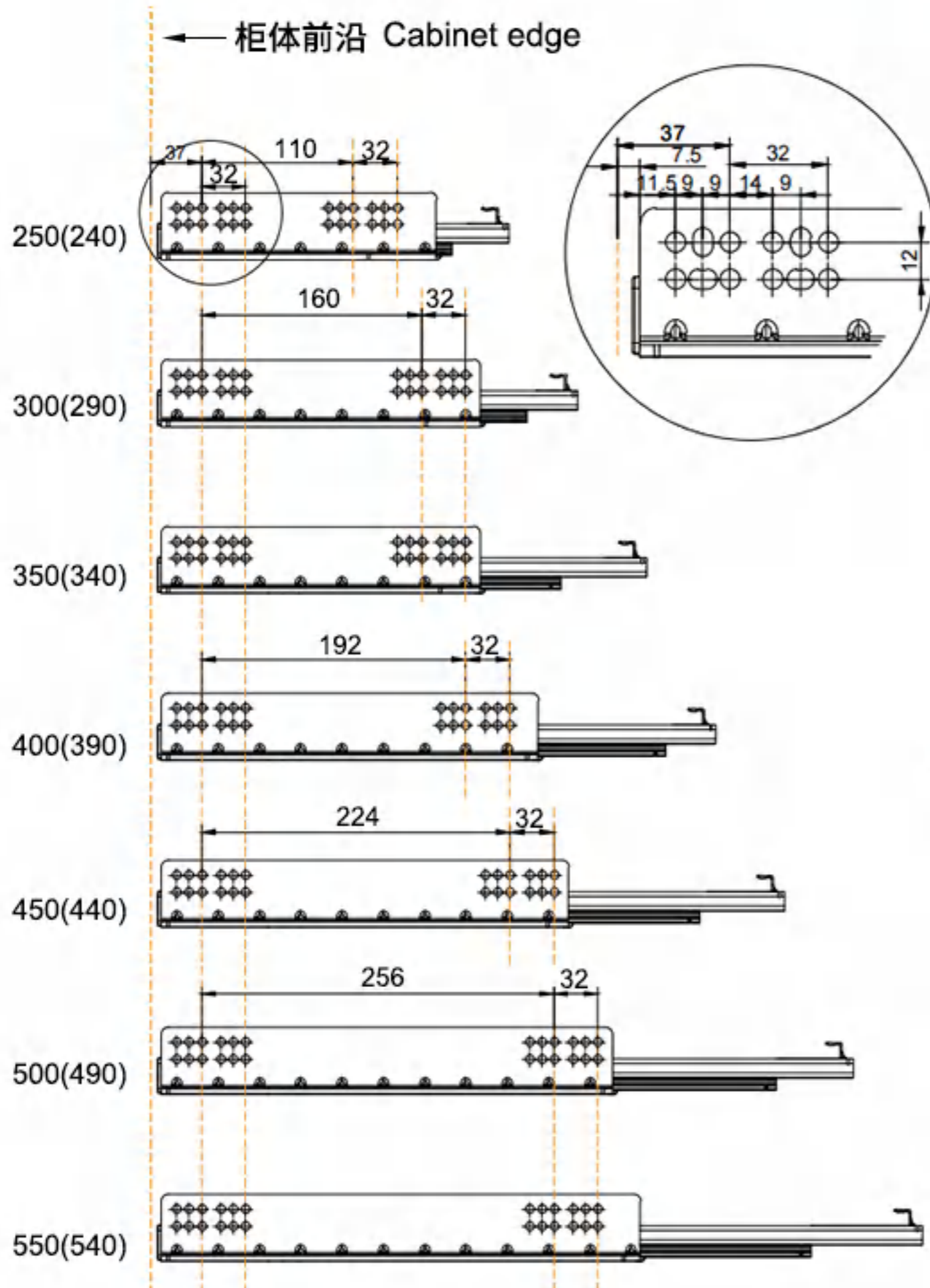
Pull out the buffer slide in three sections

带调节钉，带缓冲关闭功能，适用于减尺16板 = 40mm 或 19板 = 49mm;  
SD-V616BT THREE-SECTION SLIDE RAIL WITH ADJUSTING PINS AND SOFT CLOSE

■ 产品实图:

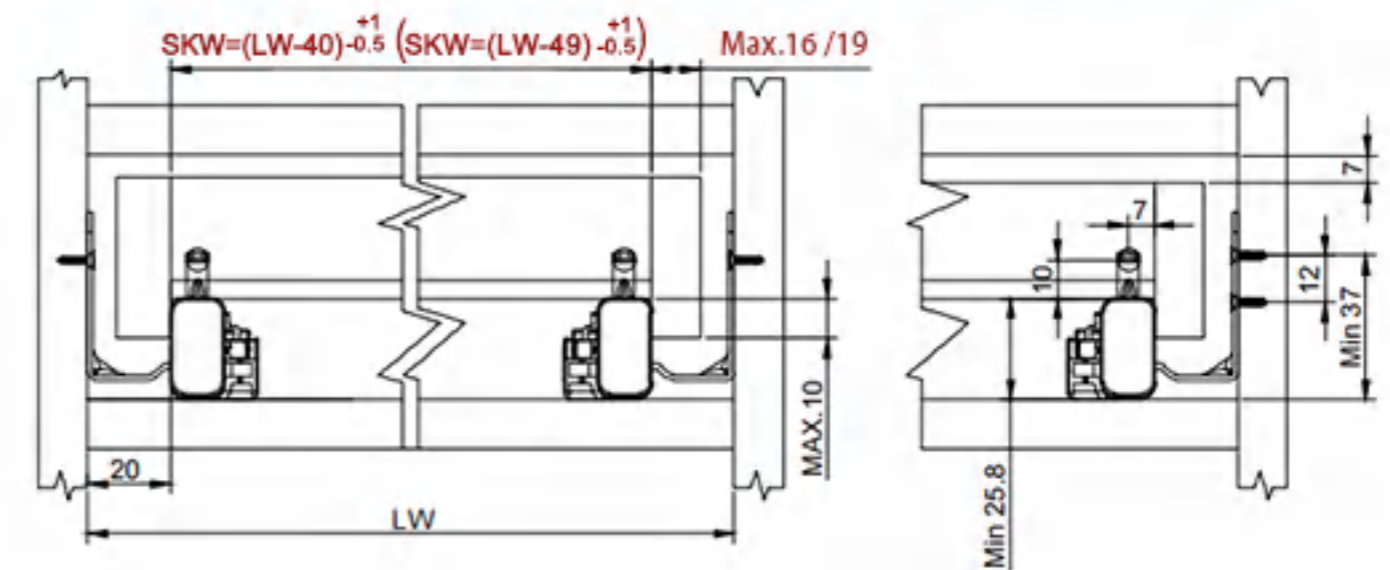


■ 滑轨安装尺寸 Slide Rail Installation Dimensions(mm)

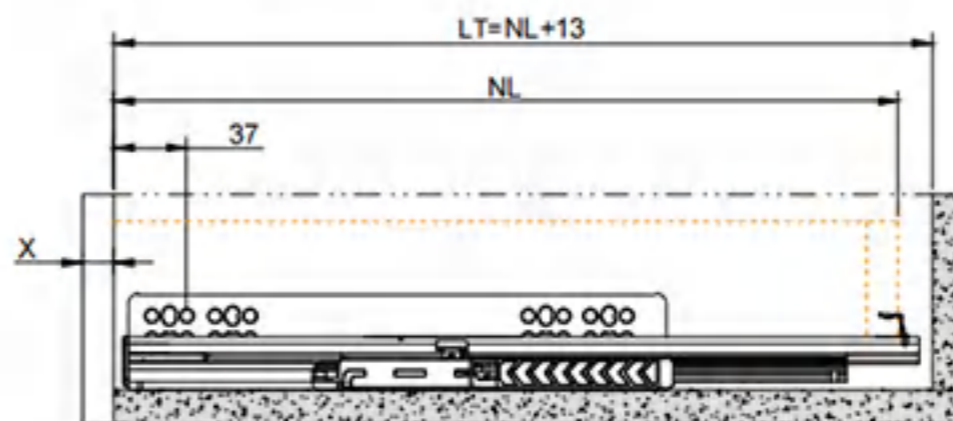


柜体所需空间 Inner cabinet space requirement

适用于减尺16板 = 40mm 或 19板 = 49mm  
Applicable for size deduction: 16mm panel=40mm( or 19mm panel=49mm)



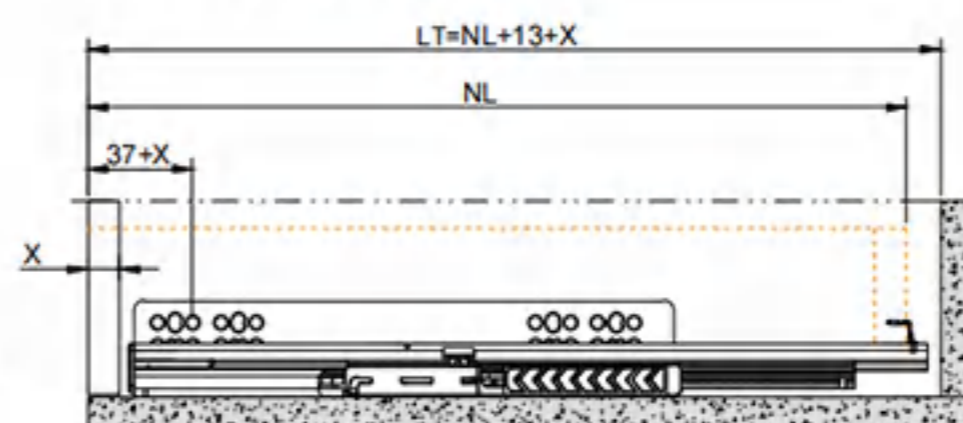
外置抽屉 Standard drawer



NL=滑轨标称长度  
NL=Nominal Slide Length

LT=柜体内部深度  
LT=Carbinet Length

内置抽屉 Inner drawer

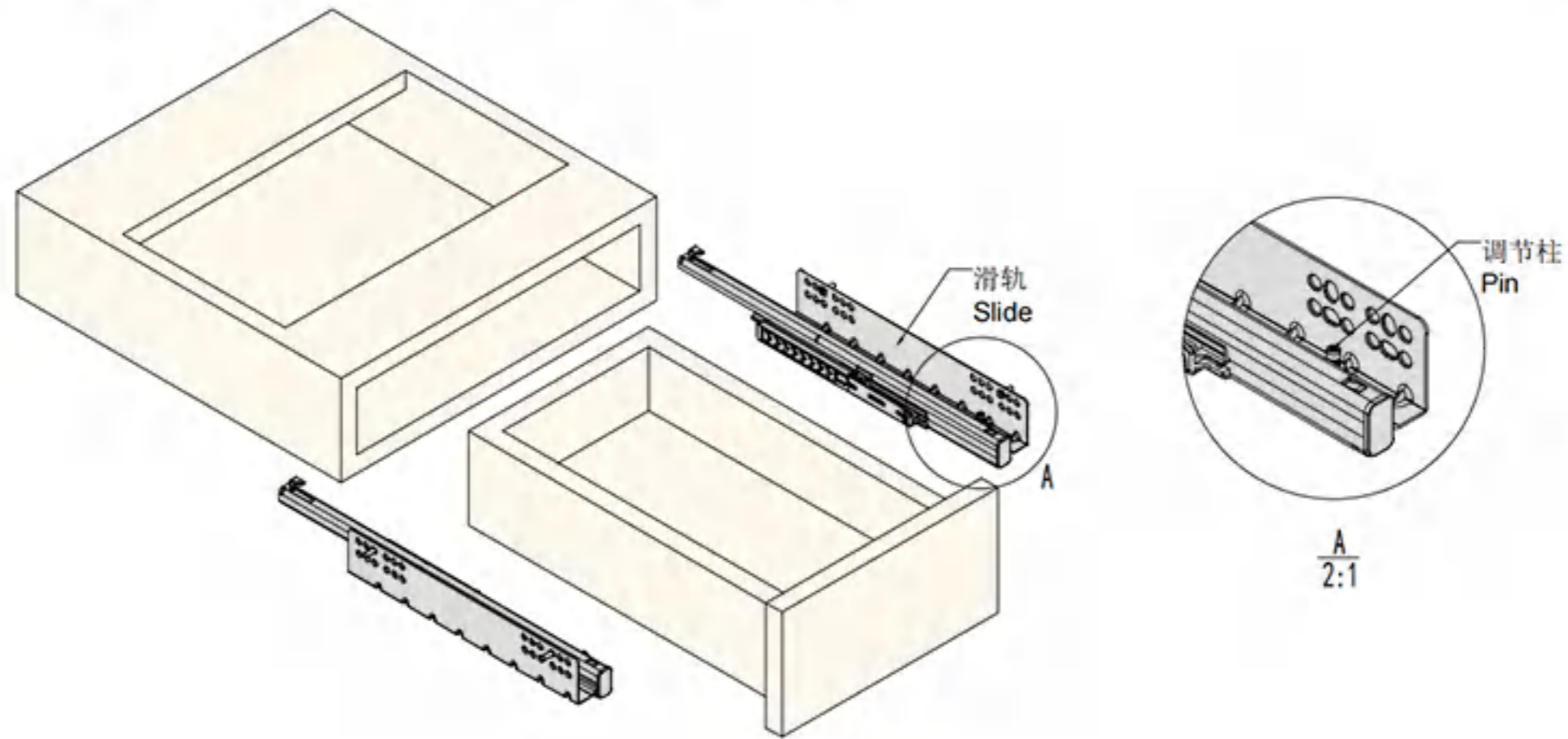


LW=柜体内部宽度  
LW=Carbinet inner net width

SKW=抽屉内部宽度  
SKW=Drawer inner net width

安装指南;柜体尺寸设计

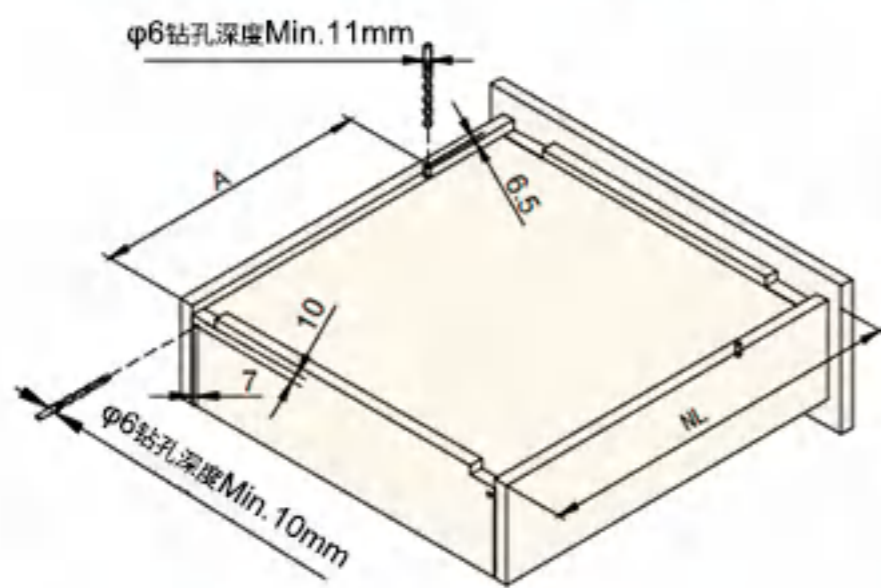
SD-V616BT INSTALLTION CABINET SIZE DIMENSION



规格 Specifications	抽屉长度(NL)(mm) Drawer length	滑轨长度(mm) Slides length	最小柜深(LT)(外抽/内抽)(mm) Min cabinet depth(Standard/Inner )	拉伸长度(mm) Pul-out lenght
10"	250(240)	253(243)	263 / 263 + X (253 / 253 + X)	234(224)
12"	300(290)	303(293)	313 / 313 + X (313 / 313 + X)	284(274)
14"	350(340)	353(343)	363 / 363 + X (363 / 363 + X)	334(324)
16"	400(390)	403(393)	413 / 413 + X (413 / 413 + X)	384(374)
18"	450(440)	453(443)	463 / 463 + X (463 / 463 + X)	434(424)
20"	500(490)	503(493)	513 / 513 + X (513 / 513 + X)	484(474)
22"	550(540)	553(543)	563 / 563 + X (563 / 563 + X)	534(524)

■ 抽屉后板开槽钻孔尺寸

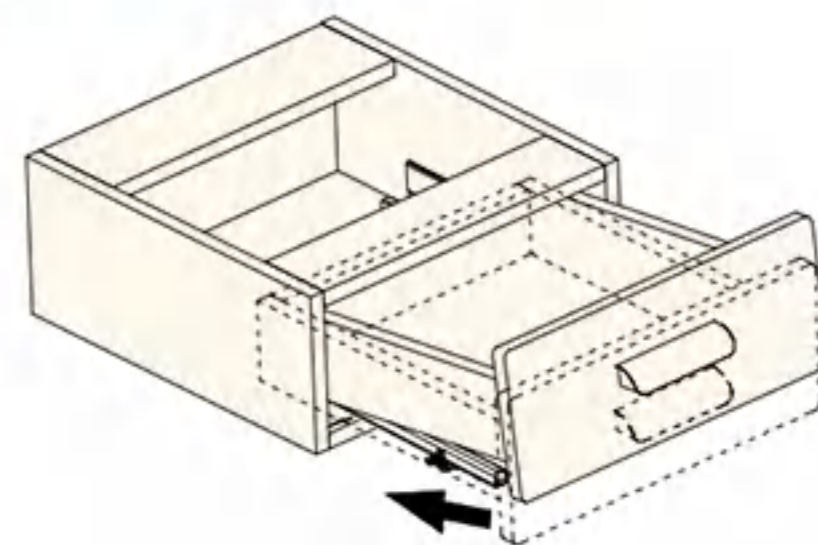
Hole size on rear panel of the drawer



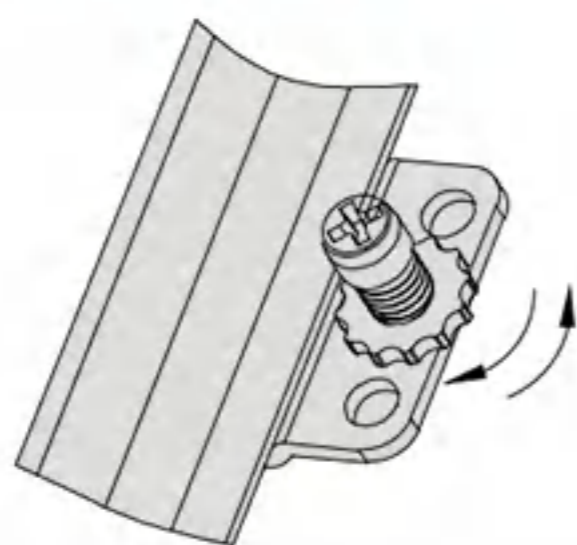
NL	A	NL	A
250	204.5	240	194.5
300	254.5	290	244.5
350	304.5	340	294.5
400	354.5	390	344.5
450	404.5	440	394.5
500	454.5	490	444.5
550	504.5	540	494.5

■ 抽屉安装

Drawer Installation

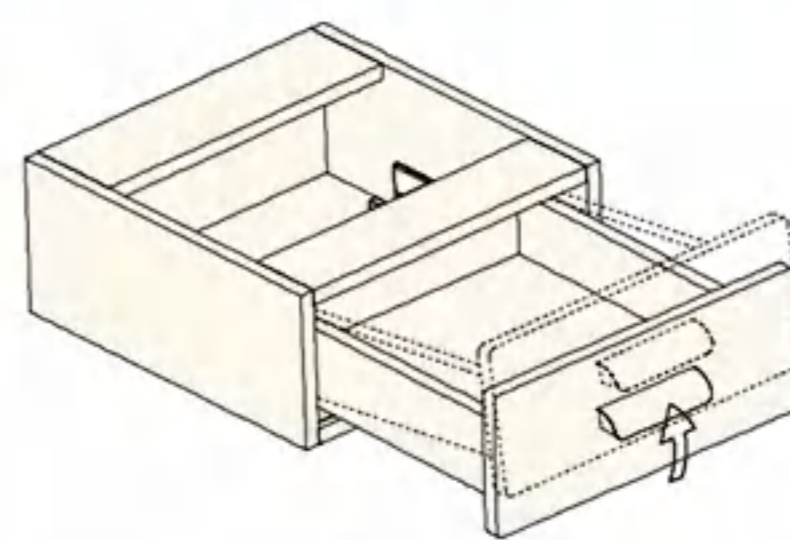


■ 抽屉调节 Adjustment of the drawer



可通过调节轮调节抽屉高度4mm  
The drawer may be adjusted in height for 4mm by rotating the adjustable handwheel.

■ 抽屉拆卸 Removal of the drawer



抽屉拆卸时,双手轻压分离器,见箭头方向,即可拆卸  
Hold the plastic gently according to the direction of the arrow when removing the drawer.then the drawer can be demounted easily.



# SD-V6B0X 快装三节全拉出滑轨

Quick-install 3-section full-extension slide rail

可快速安装，三节全拉出，带缓冲关闭功能；

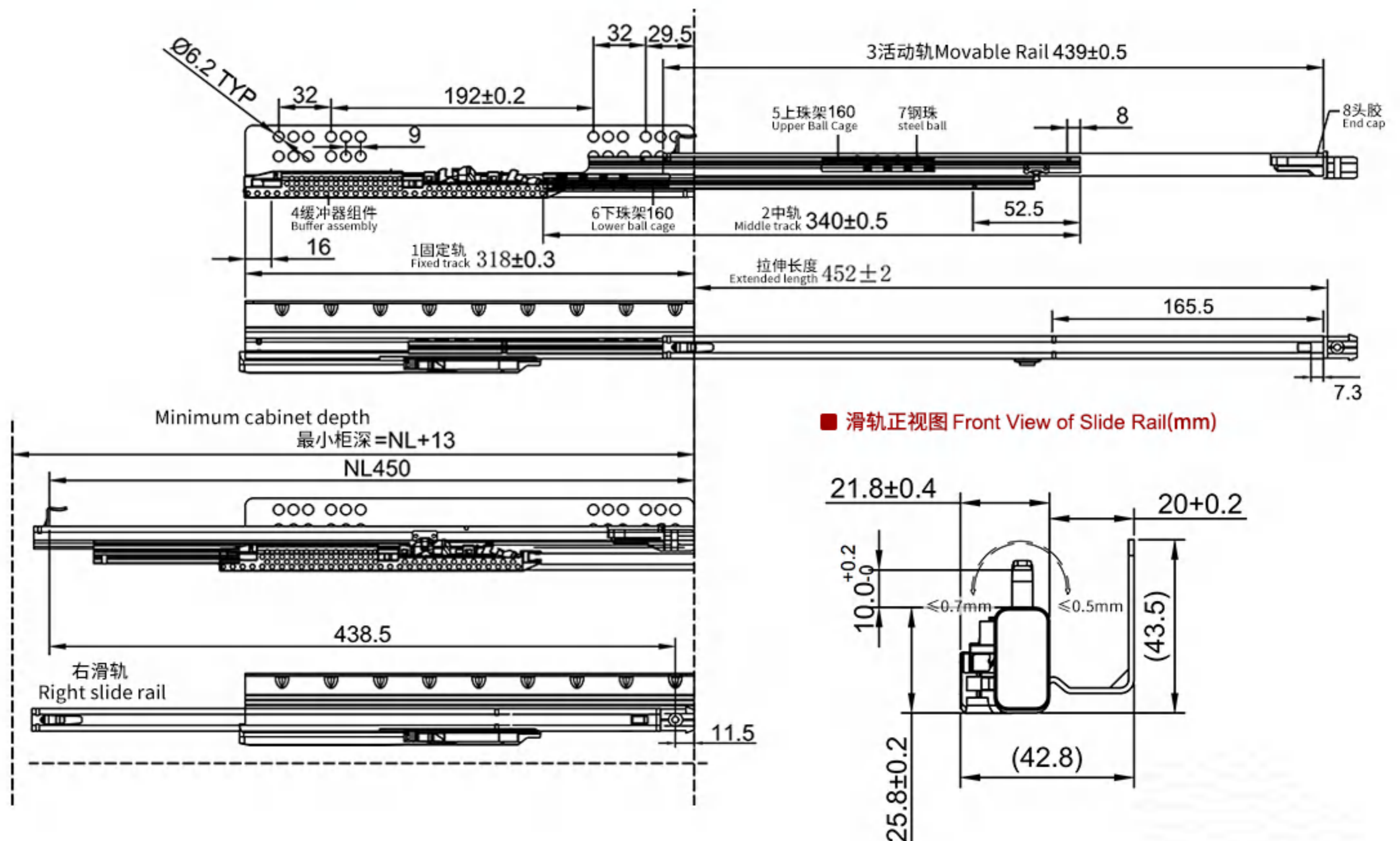
QUICK INSTALLATION, 3-SECTION FULL EXTENSION, WITH SOFT-CLOSE FUNCTION

■ 产品实拍 Real Product Shots



尺寸类型 Dimension Type	尺寸范围 Dimension Range	尺寸公差 Dimensional Tolerance
长度尺寸 Length Dimension	0-3	±0.1
	3-6	±0.1
	6-30	±0.2
	30-120	±0.3
	120-400	±0.5
角度尺寸 Dimension Range		±1°

■ 滑轨尺寸参数 Slide Rail Dimensions and Specifications(mm)





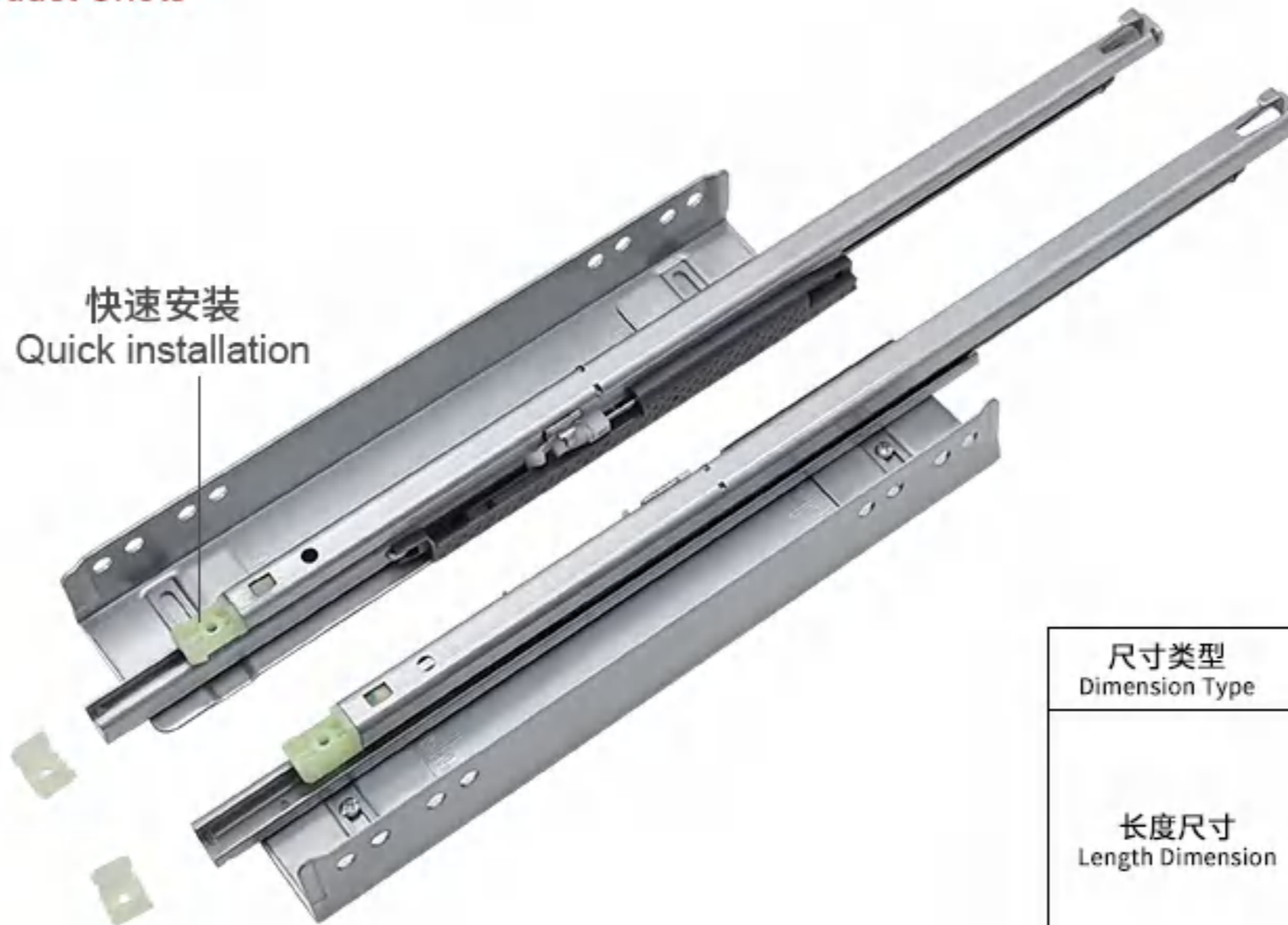
## SD-V6KT 快装可调节三节滑轨

Quick-install adjustable 3-section slide rail

带螺丝调节，可以左右调节，带缓冲关闭功能；

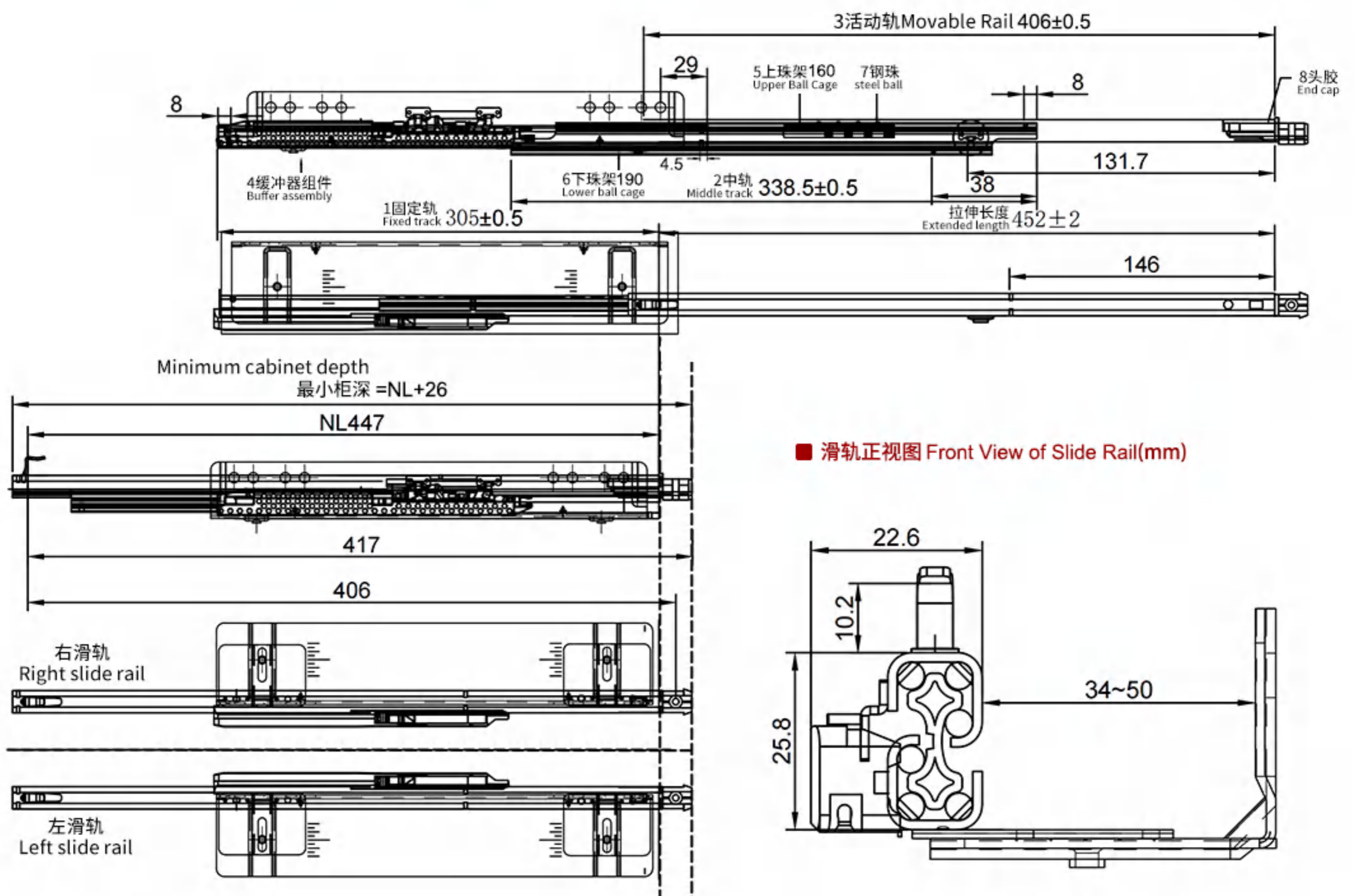
SD-V616KT WITH SCREW ADJUSTMENT FOR LEFT-RIGHT ALIGNMENT, PLUS SOFT-CLOSE FUNCTION

### 产品实拍 Real Product Shots



尺寸类型 Dimension Type	尺寸范围 Dimension Range	尺寸公差 Dimensional Tolerance
长度尺寸 Length Dimension	0-3	±0.1
	3-6	±0.1
	6-30	±0.2
	30-120	±0.3
	120-400	±0.5
角度尺寸 Dimension Range		±1°

### 滑轨尺寸参数 Slide Rail Dimensions and Specifications(mm)





**SD-993 二节反弹缓冲隐藏滑轨**  
Two-section Push-to-open Soft-close Slide

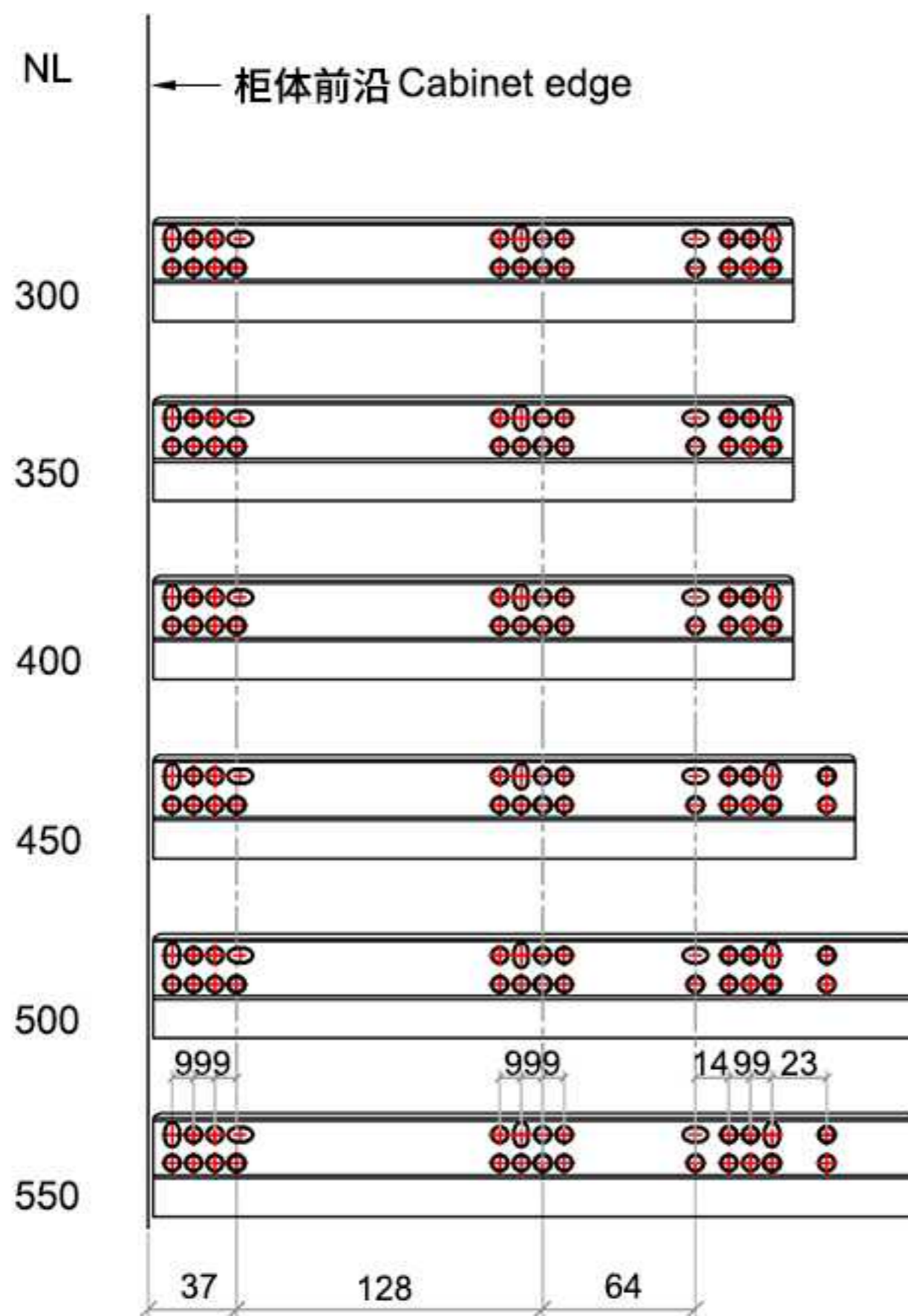
带缓冲，带反弹功能，可调节隐藏滑轨。

SD-993 ADJUSTABLE UNDERMOUNT SLIDE WITH SOFT-CLOSE AND PUSH-TO-OPEN FUNCTIONS

■ 产品实图：



■ 滑轨安装尺寸 Slide Rail Installation Dimensions(mm)



反弹缓冲隐藏式滑轨  
动态负载：25kg  
材质：镀锌钢板  
材料厚度(内/外轨)：1.4\*1.4mm  
带调节钉，抽屉可快速安装和拆卸  
抽屉面板高度间隙可调1-3mm  
长度：300mm-550mm  
包装规格：10套/箱

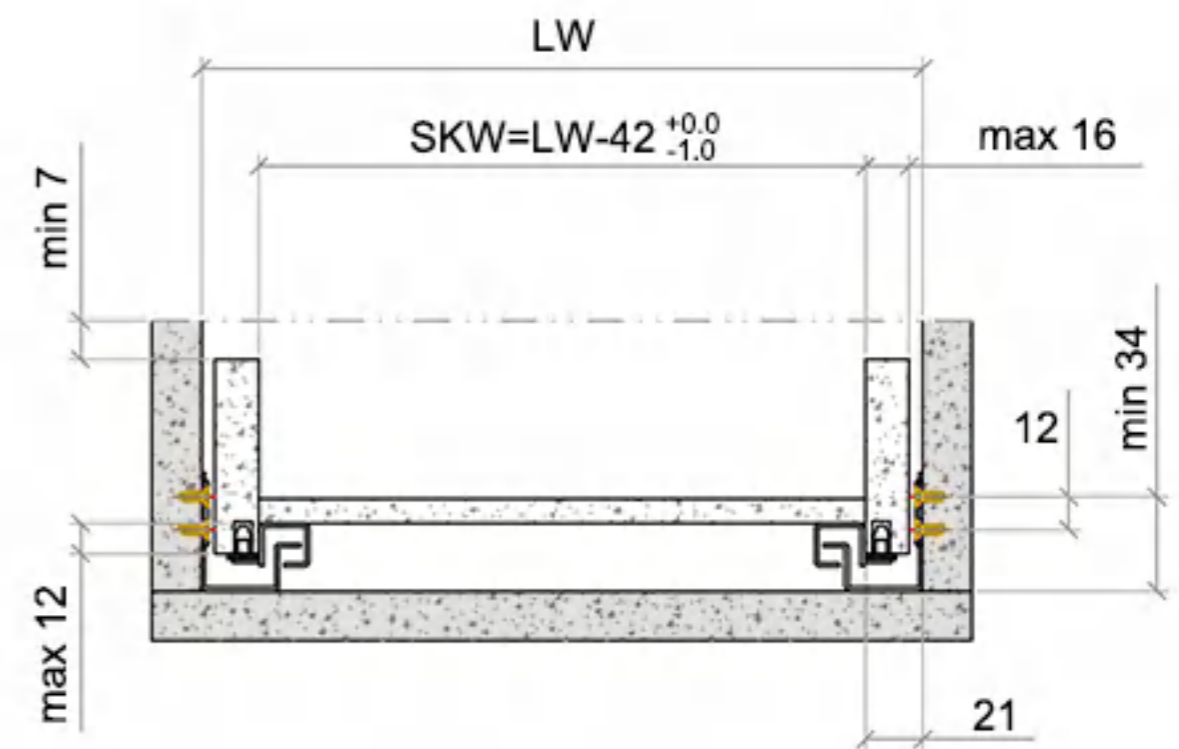
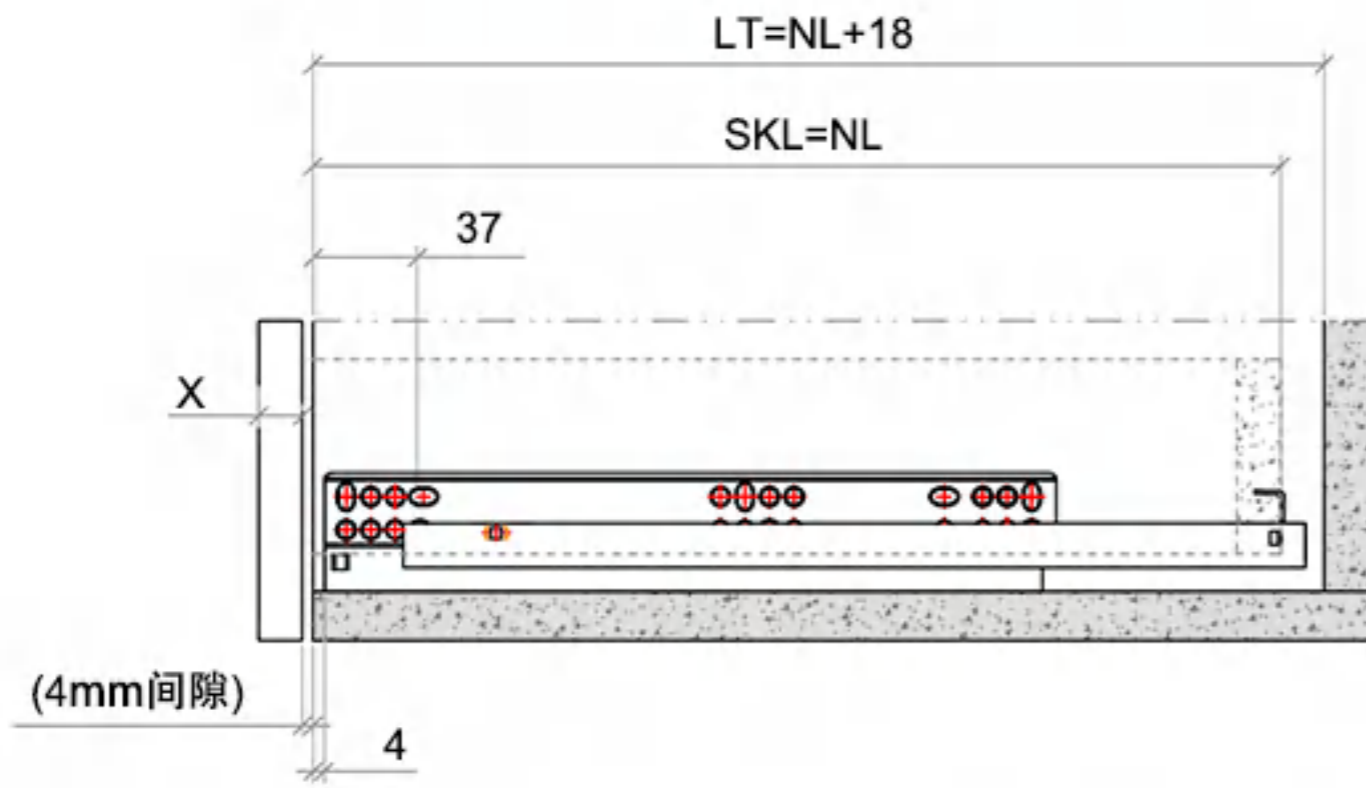
Undermount Slide with Push-to-open and Soft-close Functions  
Load rating:25kg  
Material:Galvanized sheet  
Thickness of Materia: 1.4x1.4mm  
Adjusting pins Installation  
Drawer height adjustable by 1-3mm  
Length 300-550mm  
Packing:10 sets/CTN

安装指南;柜体尺寸设计

SD-993 INSTALLTION CABINET SIZE DIMENSION

■ 外抽柜体安装所需空间

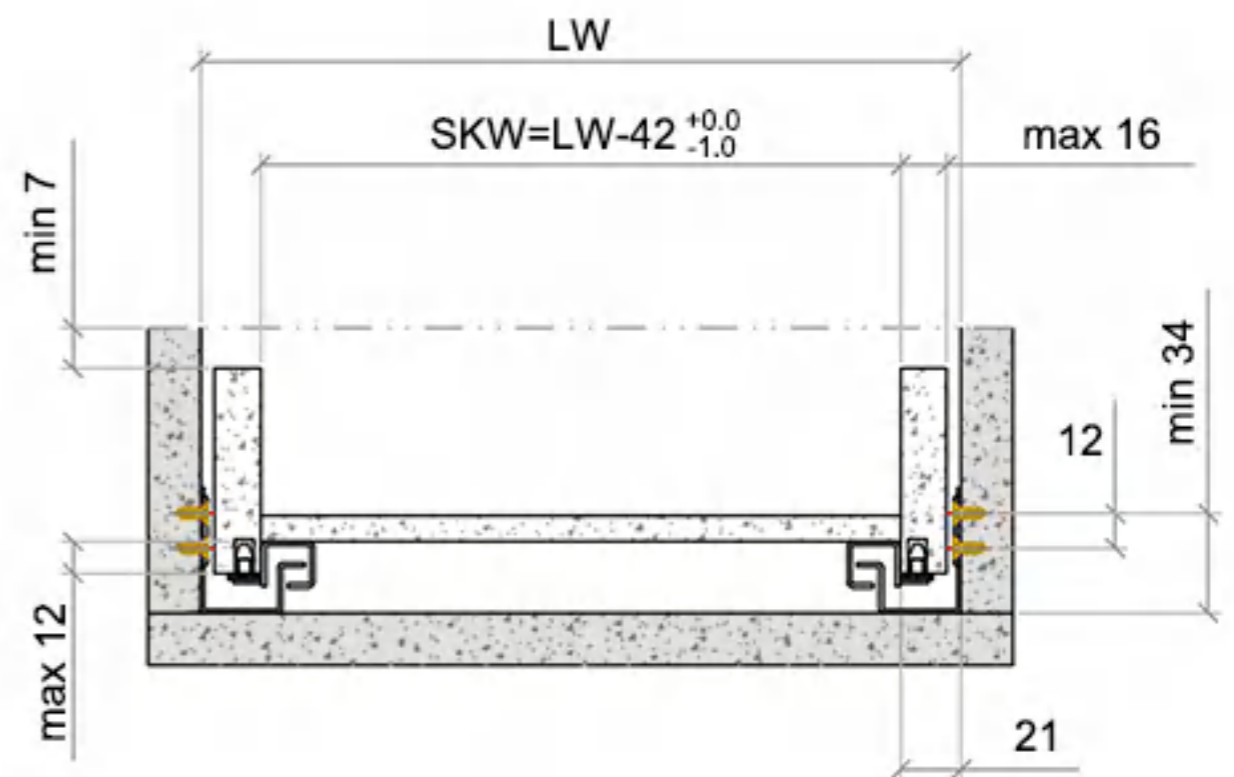
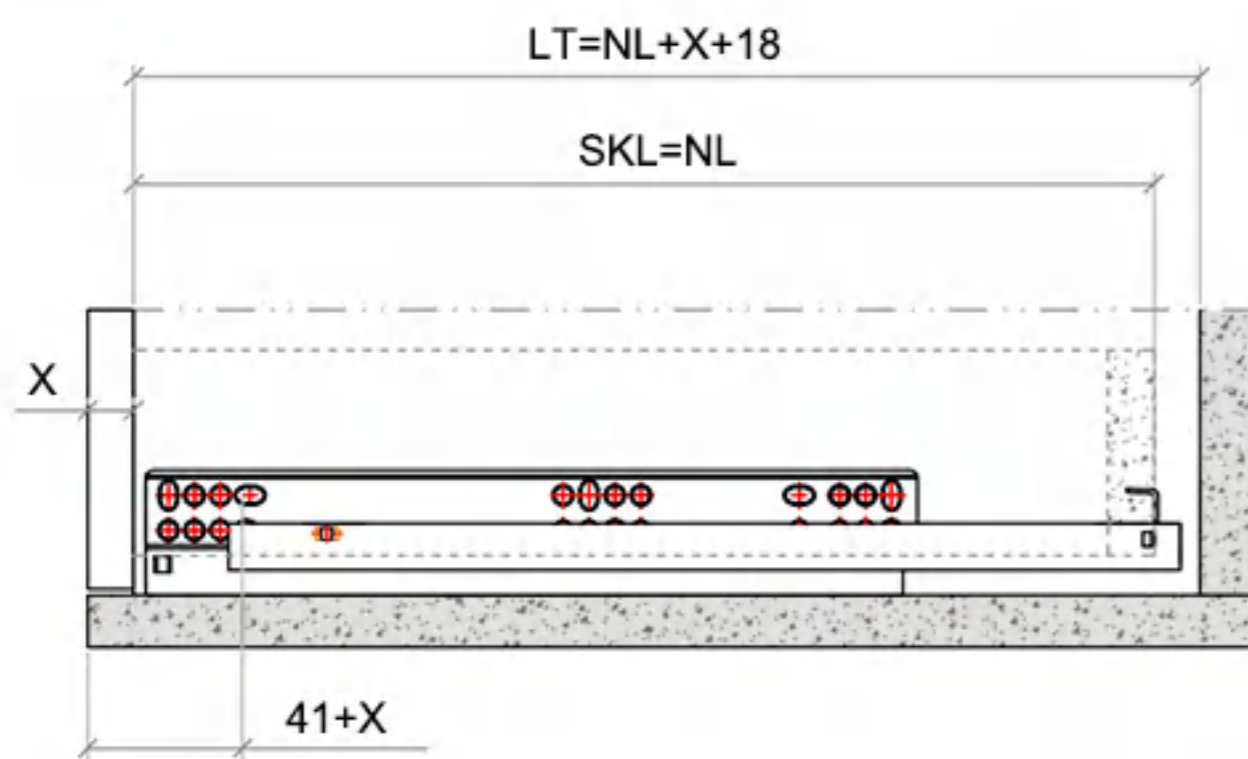
Installation Space for Pull-out Drawer Cabinets



X=面板厚度 NL=滑轨标称长度 LT=柜体内部深度 LW=柜体内部宽度 SKL=抽屉长度 SKW=抽屉宽度

■ 内抽柜体安装所需空间

Installation Space for Built-in Drawer Cabinets

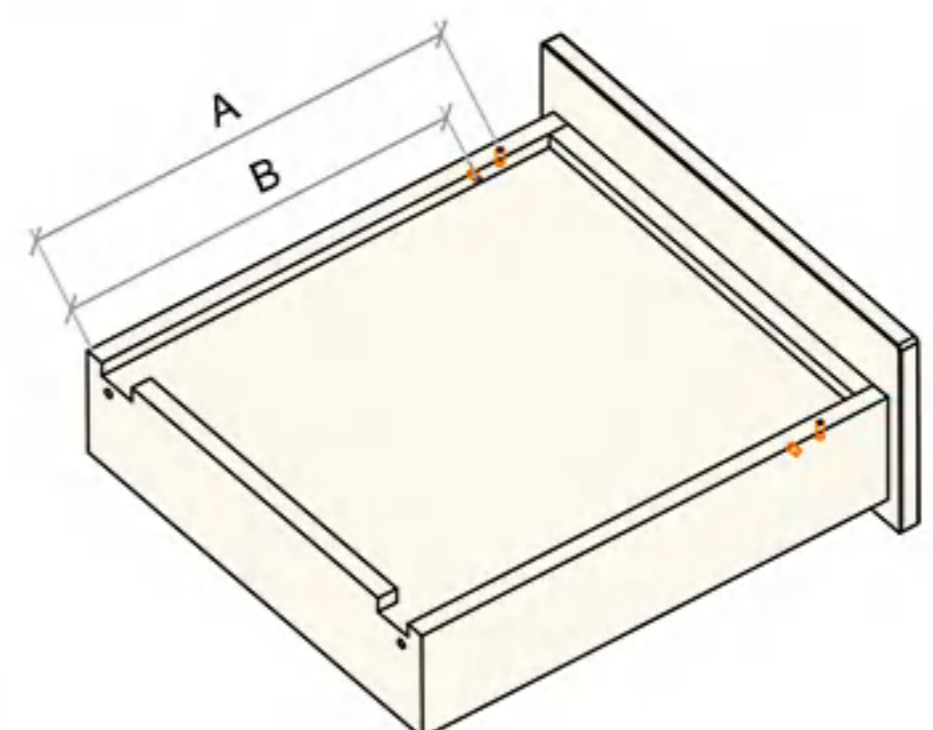
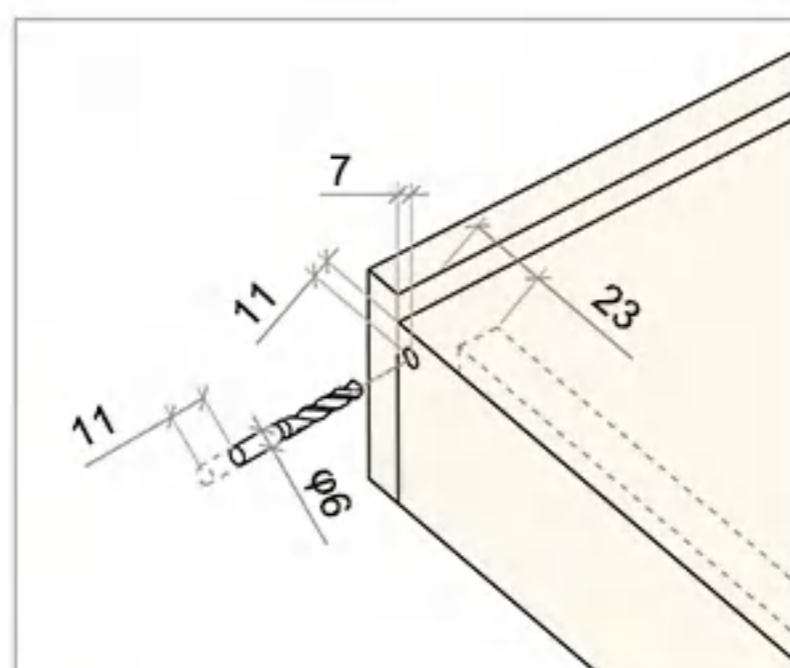
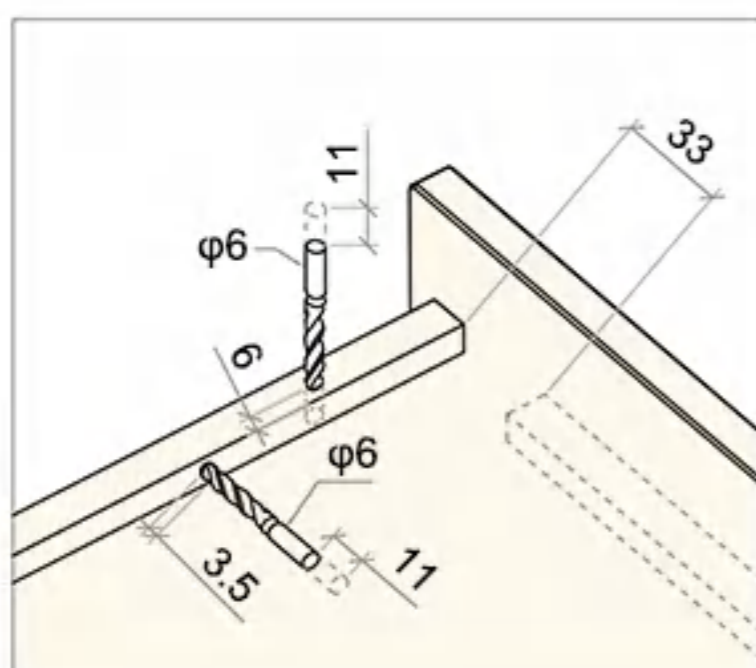


X=面板厚度 NL=滑轨标称长度 LT=柜体内部深度 LW=柜体内部宽度 SKL=抽屉长度 SKW=抽屉宽度

■ 抽屉钻孔尺寸(mm)

Drilling Dimensions for Drawer Installation

NL	300	350	400	450	500	550
A	255	305	355	405	455	505
B	235	285	335	385	435	485
	260	310	360	384	434	484





## SD-B216 二节半拉出缓冲滑轨

Pull out the buffer slide in two sections

带侧板插销，带缓冲关闭功能，适用16mm以下抽屉侧板；  
SD-B216 TWO-FOLD SOFT CLOSE CONCEALED SLIDE

### 产品实图：



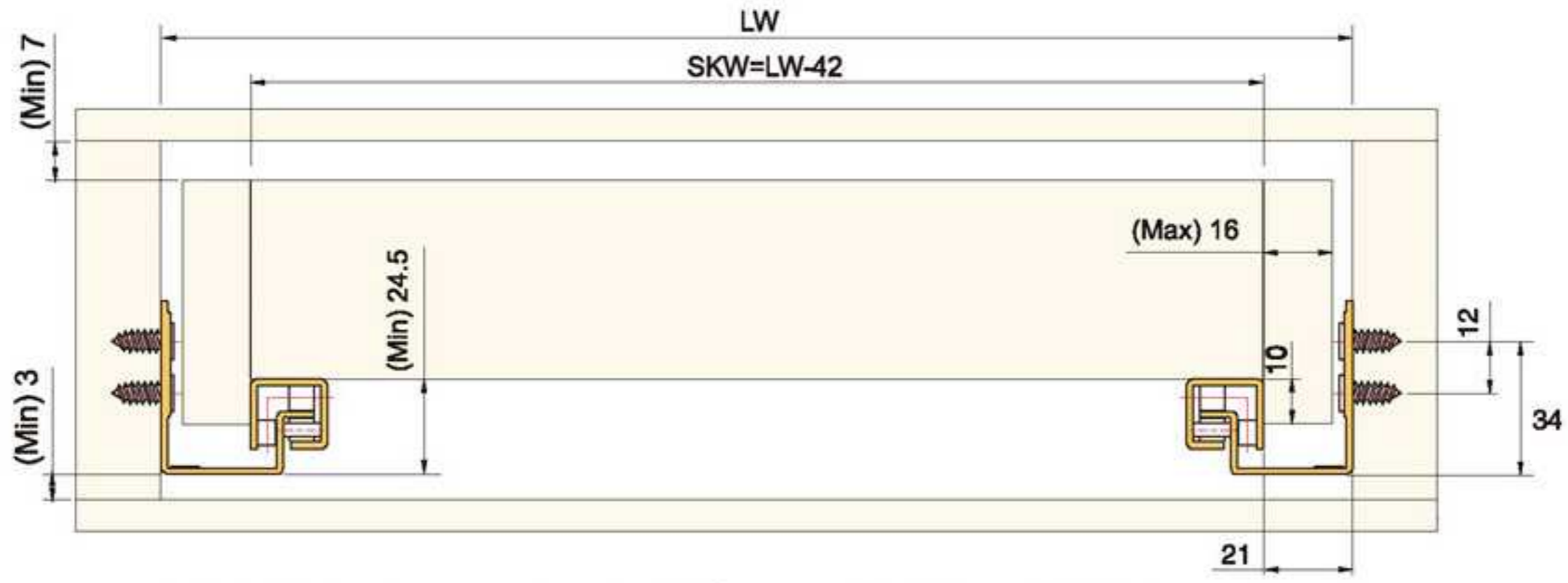
### 侧轨安装孔位置 Side rail mounting hole location



安装指南:柜体尺寸设计  
SD-B216 INSTALLTION CABINET SIZE DIMENSION

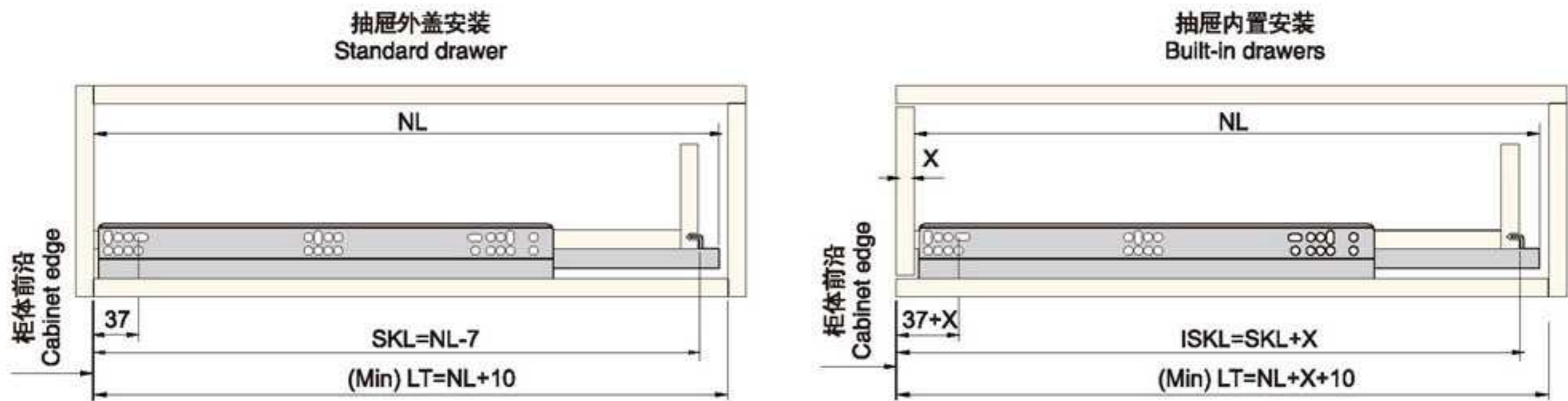


■ 宽度尺寸:



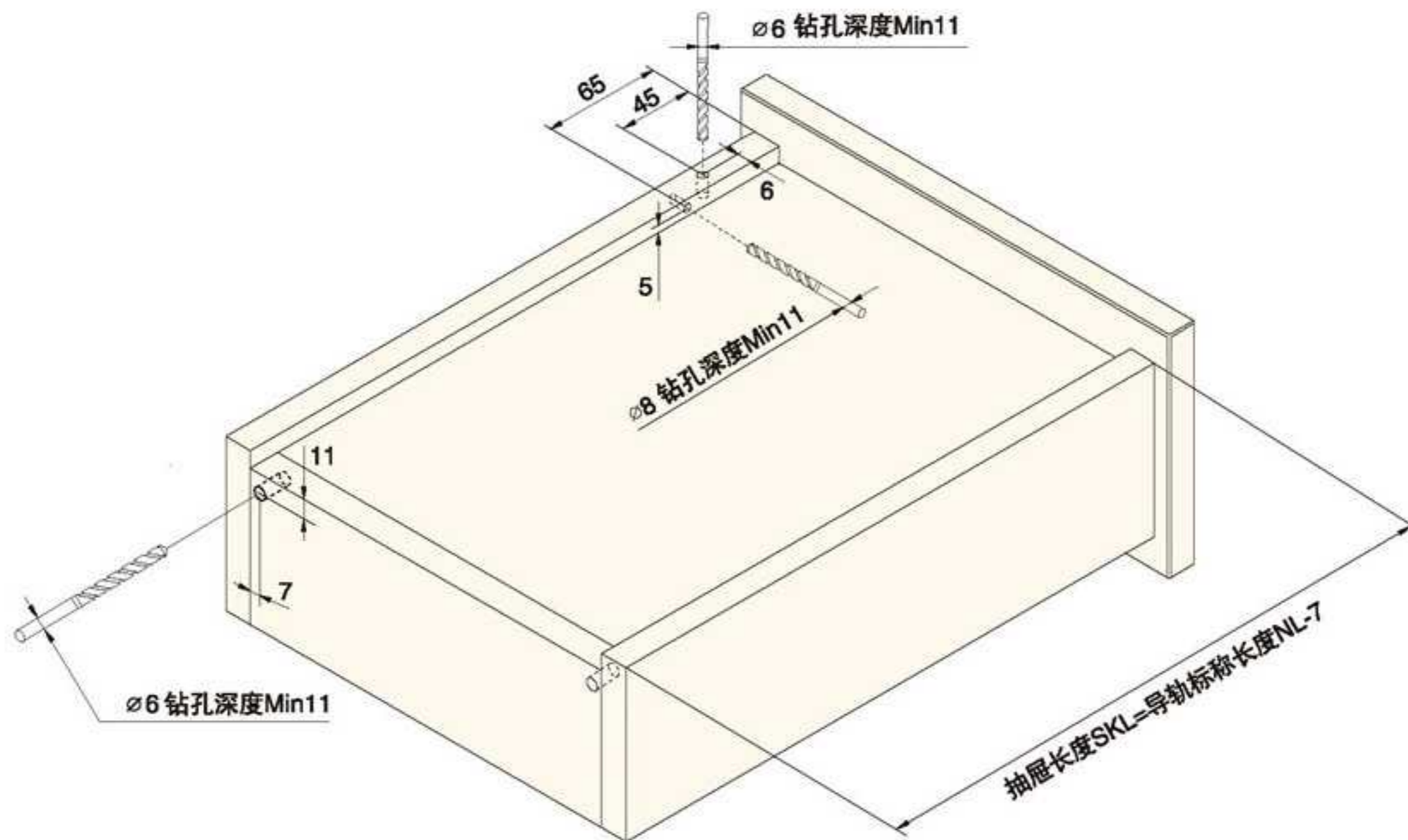
LW=柜体内部净宽  
LW=Cabinet inner width  
SKW=抽屉宽度  
SKW=Drawer width  
最大尺寸 Max  
最小尺寸 Min

■ 深度尺寸:



NL=导轨标称长度  
NL=Nominal slide length  
LT=柜体内部深度  
LT=Cabinet inner depth  
SKL=抽屉长度  
SKL=Drawer length  
ISKL=内抽屉长度  
ISKL=Drawer inner length  
X=抽屉面板厚度  
X=Drawer panel thickness

■ 底部加工:



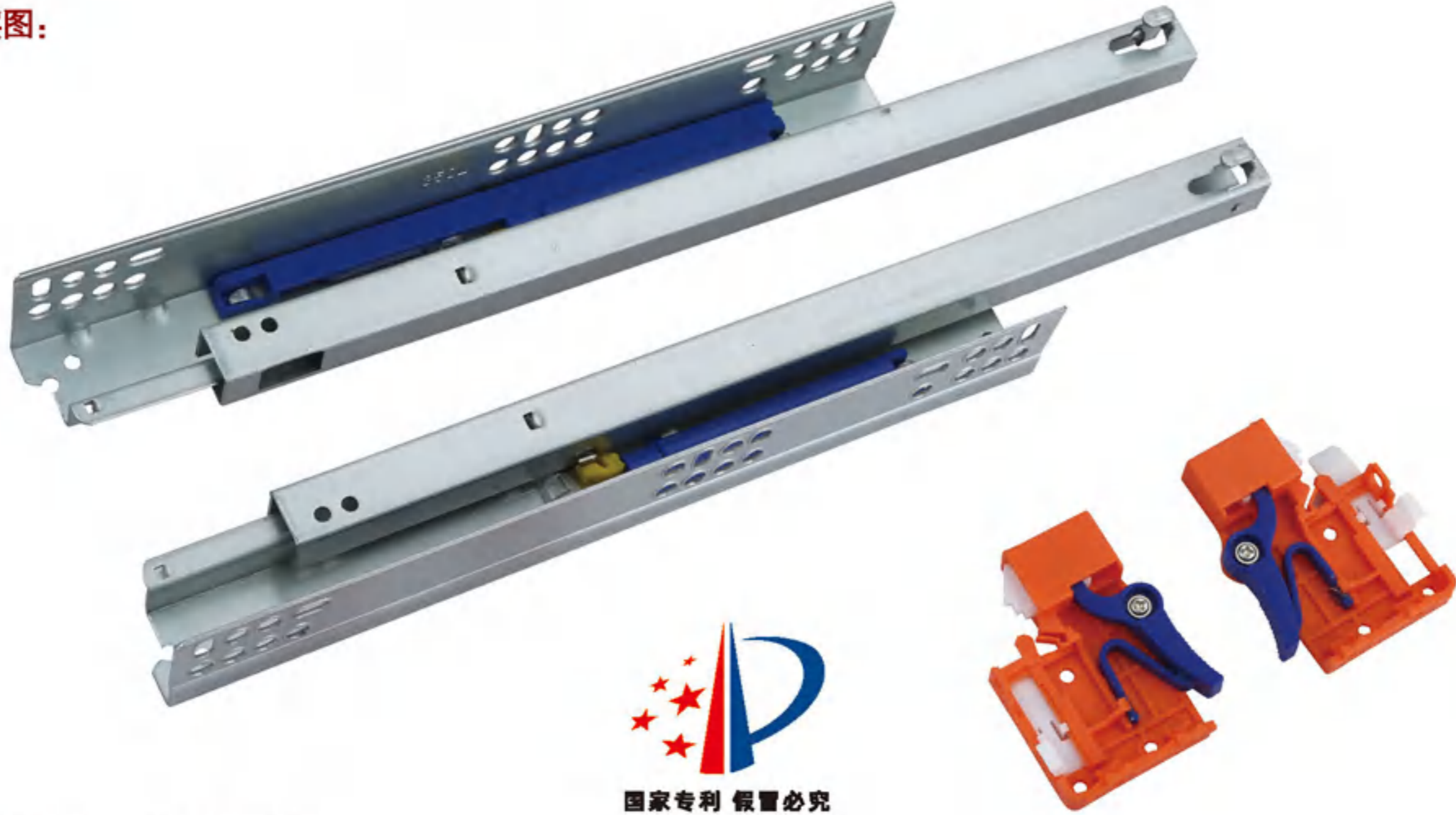


# SD-B216B 二节半拉出缓冲滑轨(带把手)

Pull out the buffer slide in two sections(with a handle)

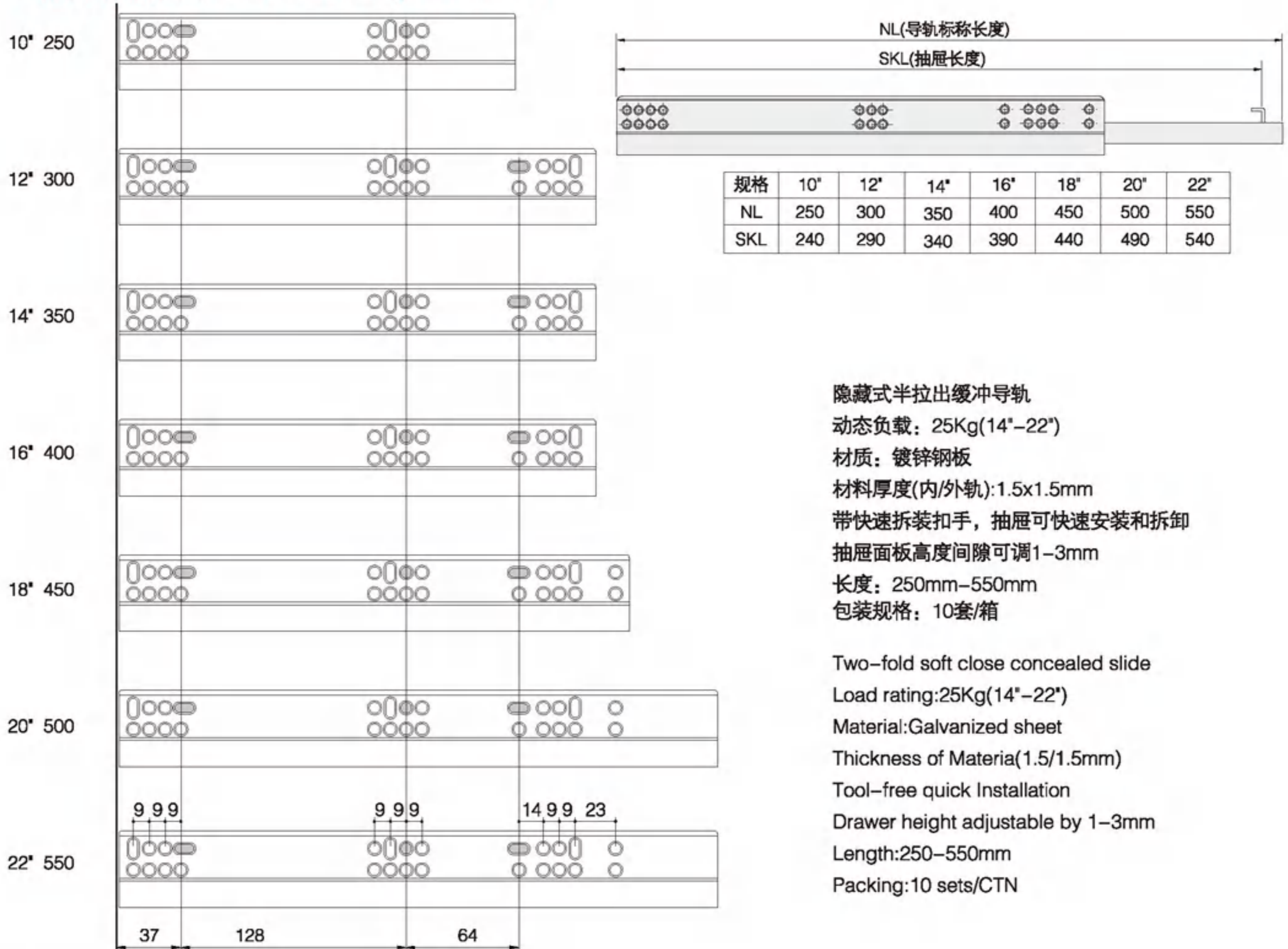
全塑胶把手，带缓冲关闭功能，适用16mm抽屉侧板；  
SD-B216BTWO-FOLD SOFT CLOSE CONCEALED SLIDE

■ 产品 实拍图：



实图未能显示的安裝尺寸，请参阅下述数据

■ 侧轨安裝孔位置 Side rail mounting hole location

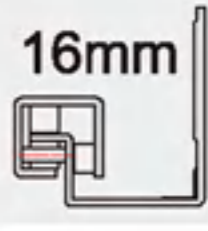


隐藏式半拉出缓冲导轨  
 动态负载：25Kg(14"-22")  
 材质：镀锌钢板  
 材料厚度(内/外轨):1.5x1.5mm  
 带快速拆装扣手，抽屉可快速安装和拆卸  
 抽屉面板高度间隙可调1-3mm  
 长度：250mm-550mm  
 包装规格：10套/箱

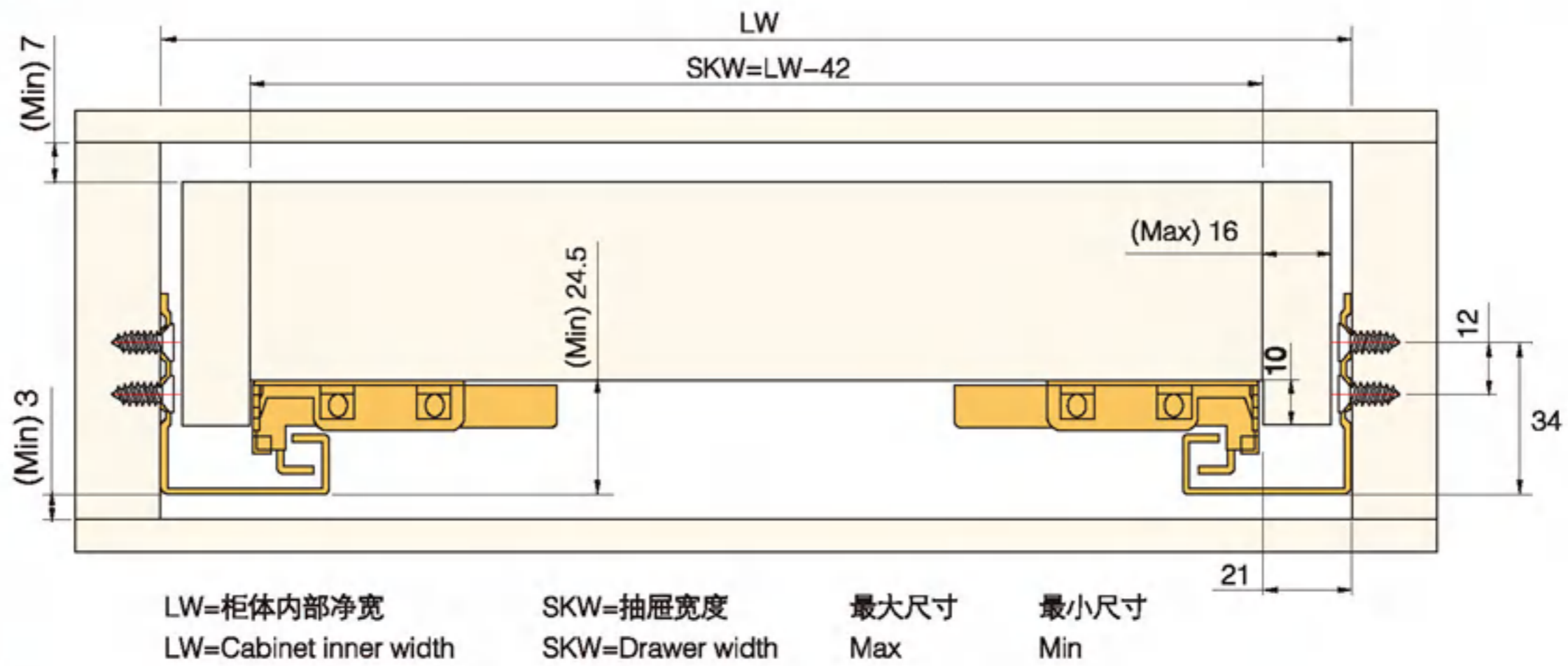
Two-fold soft close concealed slide  
 Load rating:25Kg(14"-22")  
 Material:Galvanized sheet  
 Thickness of Materia(1.5/1.5mm)  
 Tool-free quick Installation  
 Drawer height adjustable by 1-3mm  
 Length:250-550mm  
 Packing:10 sets/CTN

安装指南:柜体尺寸设计

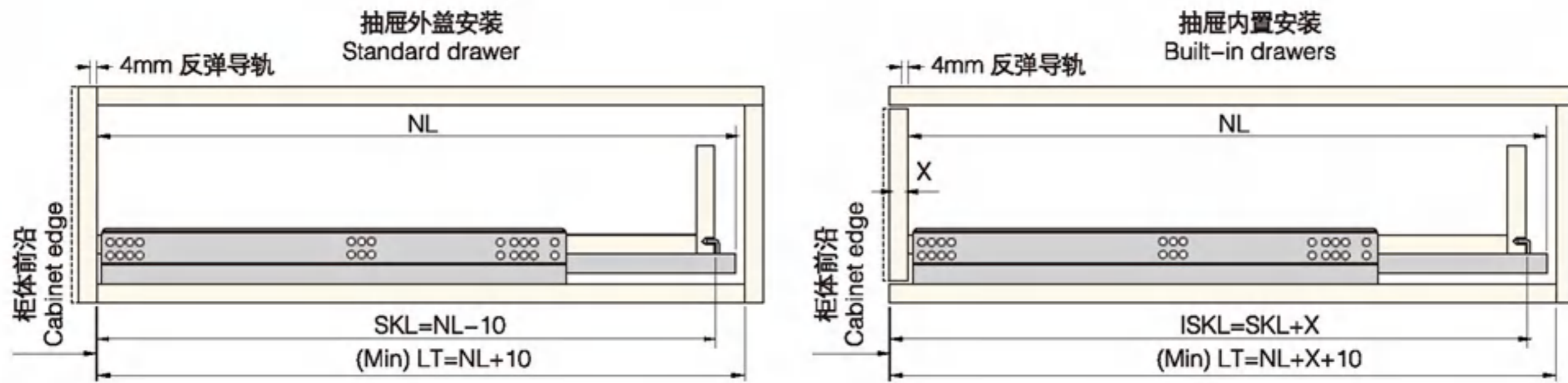
SD-B216B INSTALLTION CABINET SIZE DIMENSION



■ 宽度尺寸:

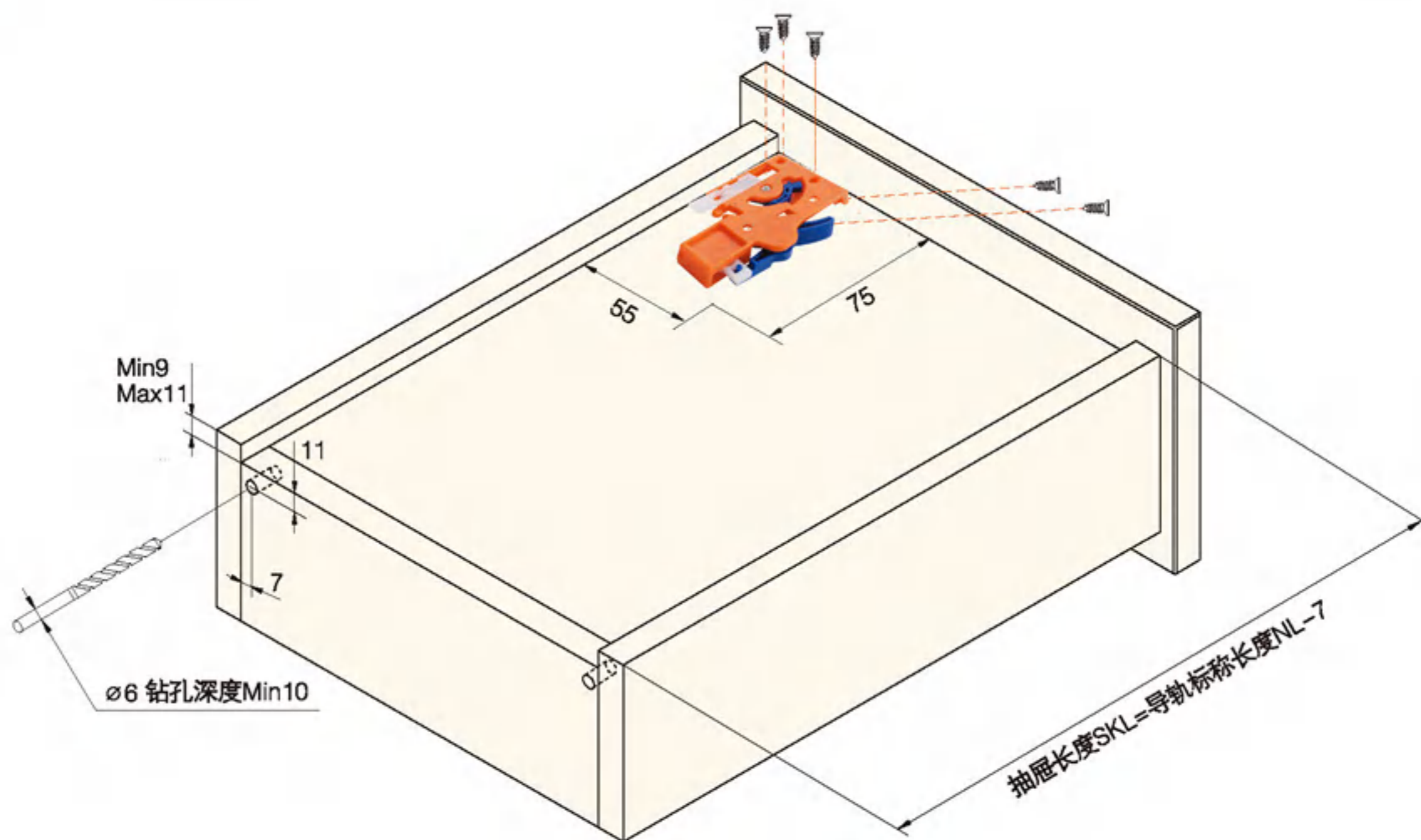


■ 深度尺寸:



NL=导轨标称长度  
NL=Nominal slide length  
LT=柜体内部深度  
LT=Cabinet inner depth  
SKL=抽屉长度  
SKL=Drawer length  
ISKL=内抽屉长度  
ISKL=Drawer inner length  
X=抽屉面板厚度  
X=Drawer panel thickness

■ 底部加工:





# SD-A316 三节全拉出缓冲滑轨

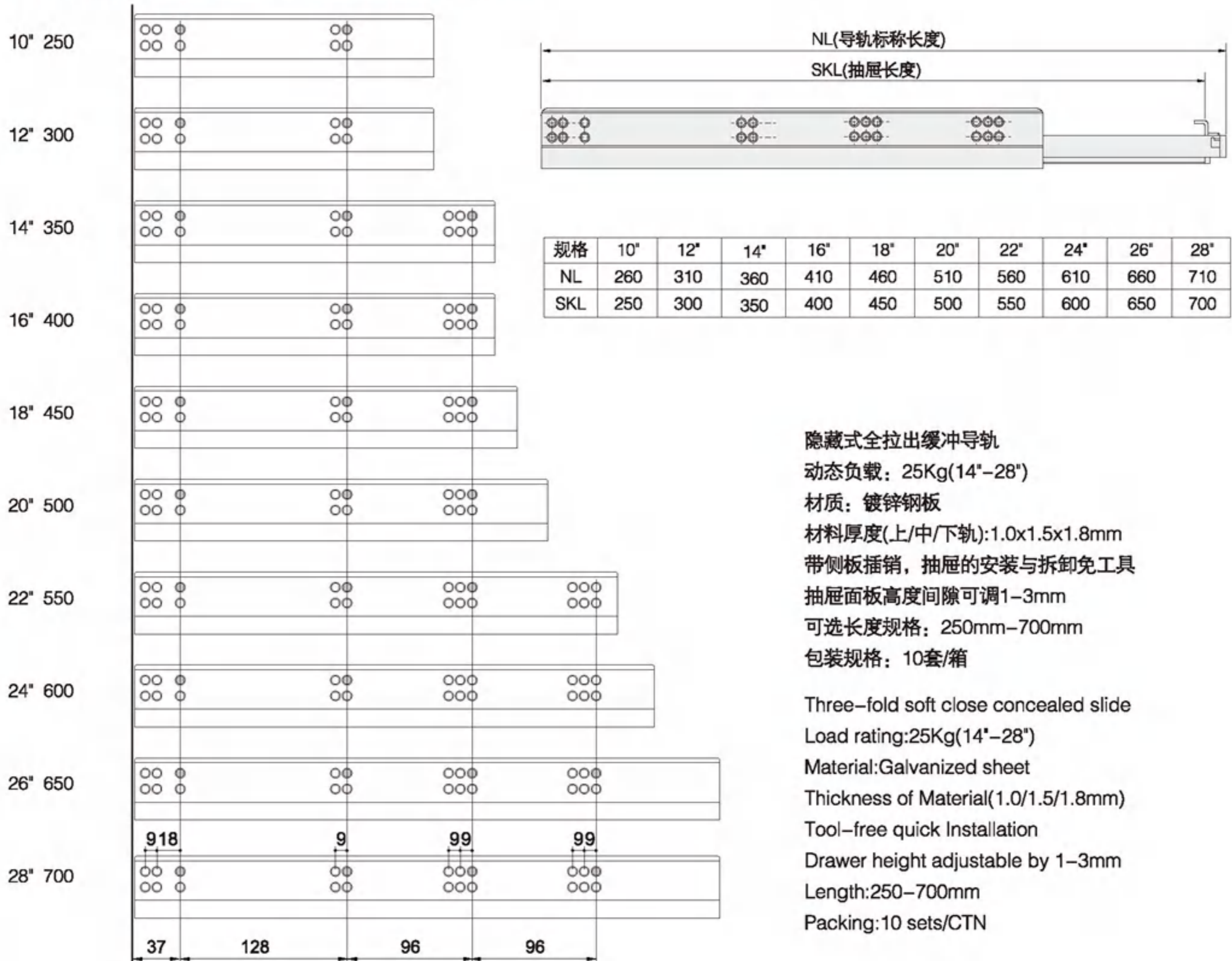
All three sections pull out the cushioning slide

带侧板插销，带缓冲关闭功能，适用16mm以下抽屉侧板；  
SD-A316 THREE-FOLD SOFT CLOSE CONCEALED SLIDE

■ 产品实图：



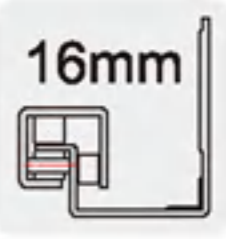
■ 侧轨安装孔位置 Side rail mounting hole location



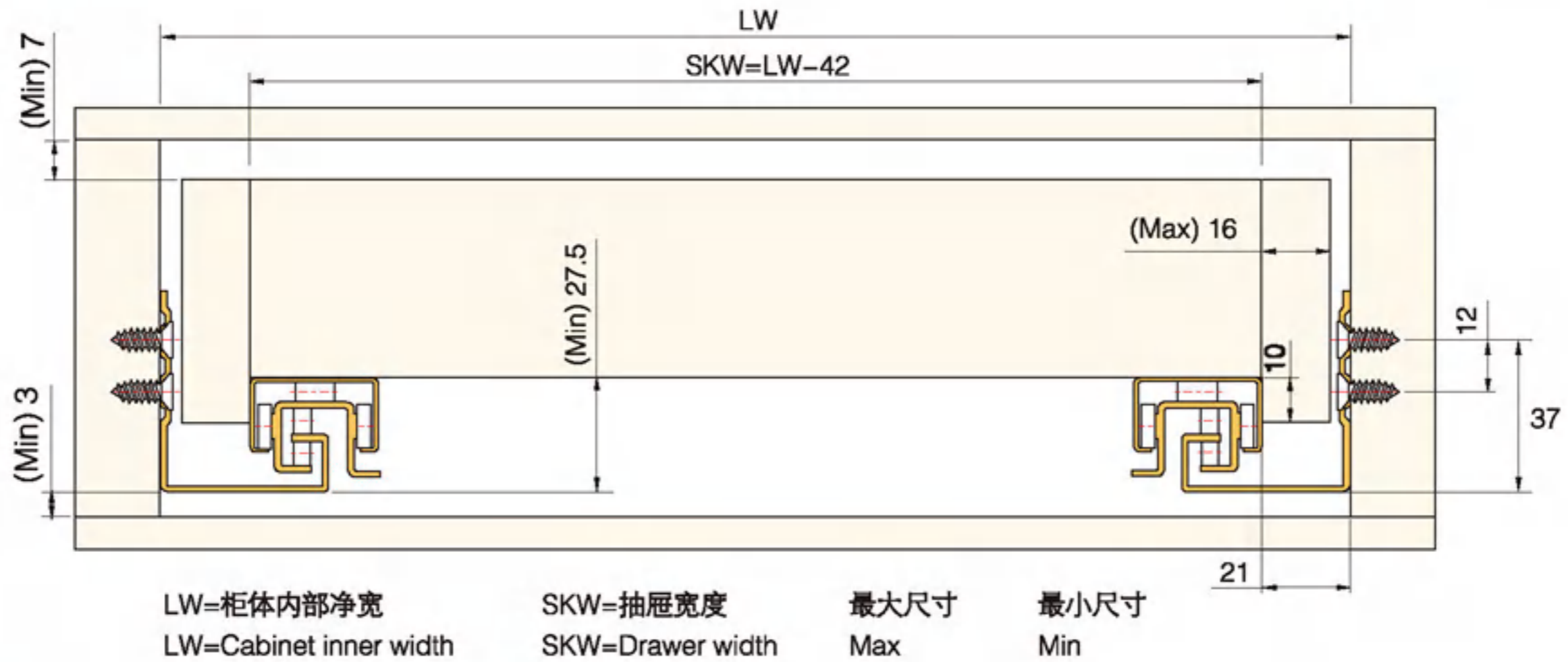
隐藏式全拉出缓冲导轨  
 动态负载：25Kg(14"-28")  
 材质：镀锌钢板  
 材料厚度(上/中/下轨):1.0x1.5x1.8mm  
 带侧板插销，抽屉的安装与拆卸免工具  
 抽屉面板高度间隙可调1-3mm  
 可选长度规格：250mm-700mm  
 包装规格：10套/箱

Three-fold soft close concealed slide  
 Load rating:25Kg(14"-28")  
 Material:Galvanized sheet  
 Thickness of Material(1.0/1.5/1.8mm)  
 Tool-free quick Installation  
 Drawer height adjustable by 1-3mm  
 Length:250-700mm  
 Packing:10 sets/CTN

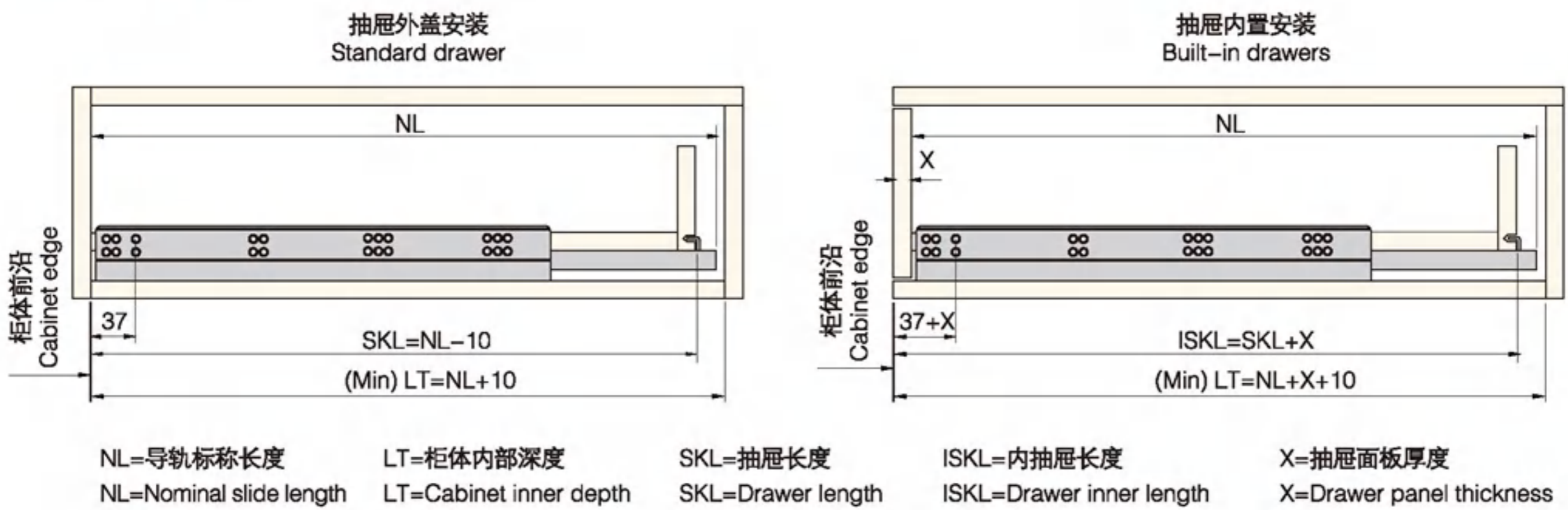
安装指南:柜体尺寸设计  
SD-A316 INSTALLTION CABINET SIZE DIMENSION



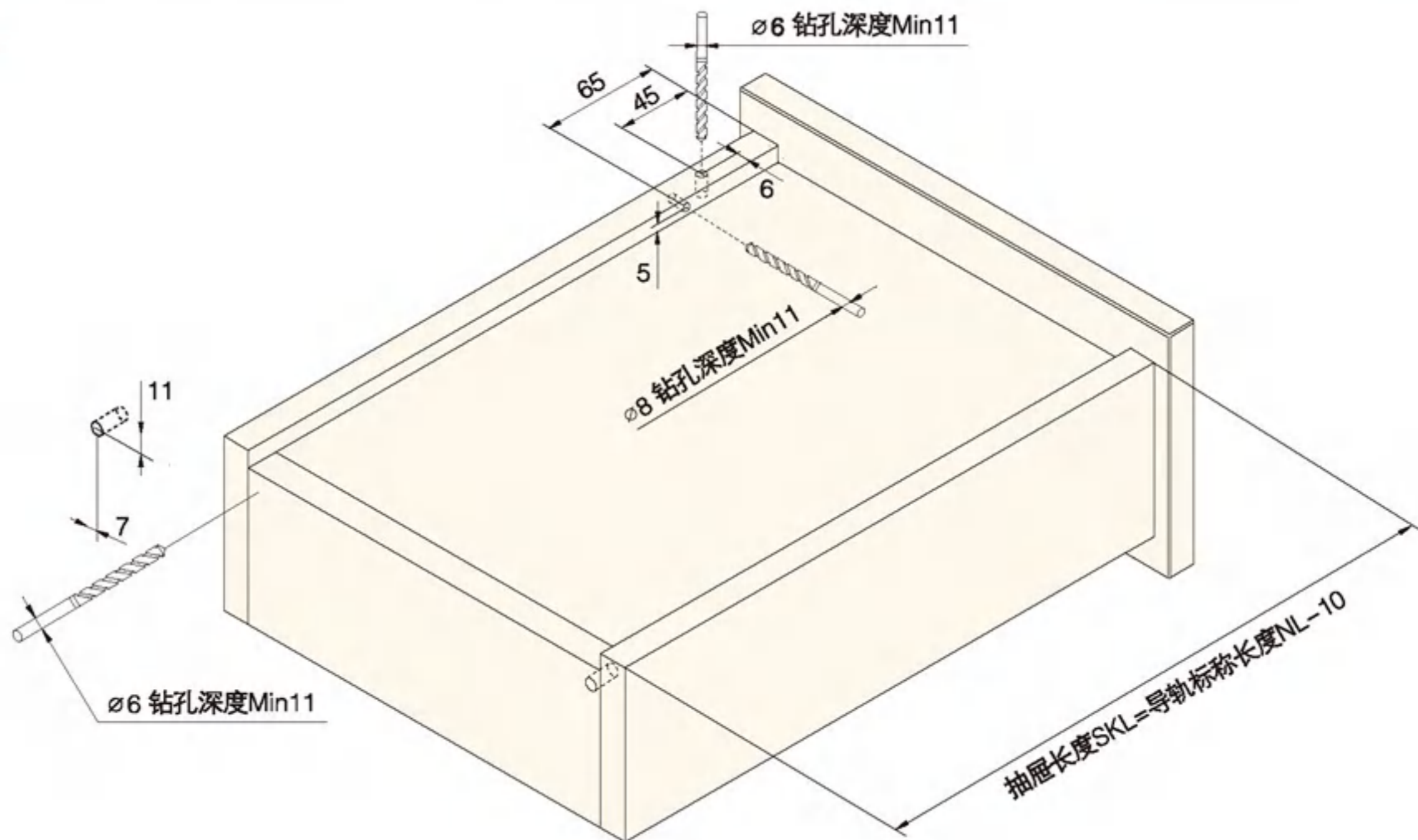
■ 宽度尺寸:



■ 深度尺寸:



■ 底部加工:





## GB882 钢板阻尼抽屉

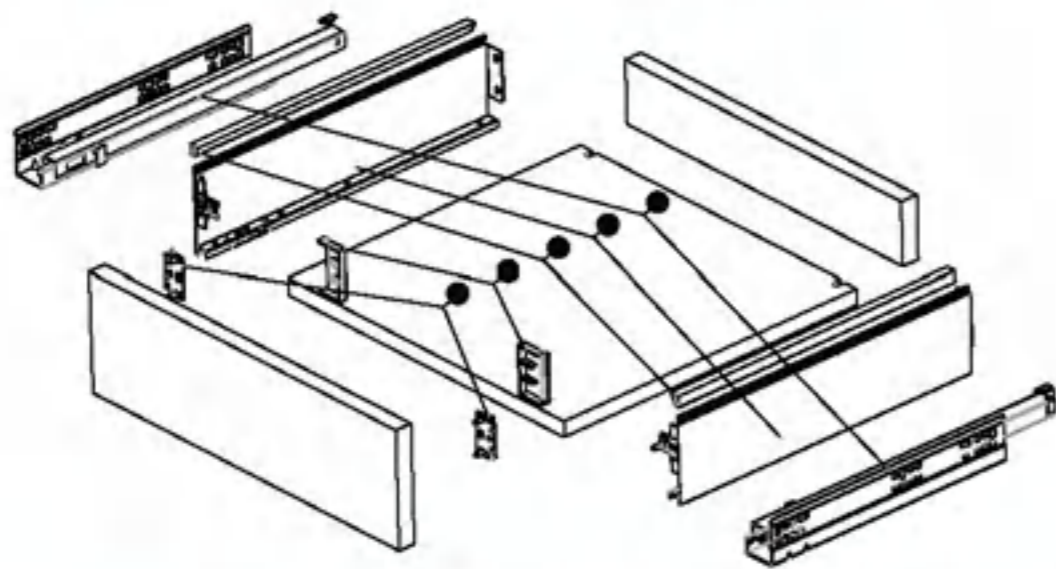
Steel plate damper drawer

- |                 |                         |                    |                                      |
|-----------------|-------------------------|--------------------|--------------------------------------|
| → 载重35kg        | → Load capacity of 35kg | → 无需工具, 抽屉可快速安装和拆卸 | → Quick installation and removal     |
| → 表面:镀锌         | → Surface: galvanized   | → 静音系统保证滑动运动流畅、轻松  | → Quiet and smooth movement          |
| → 长度: 290-590mm | → Length: 290-590mm     | → 面板左右调节量0~+4mm    | → Adjustment:left and right 0~ + 4mm |
| → 滑轨为全拉出式       | → Full extension        | → 上下调节量0~+4mm      | → up and down 0~ +4mm                |

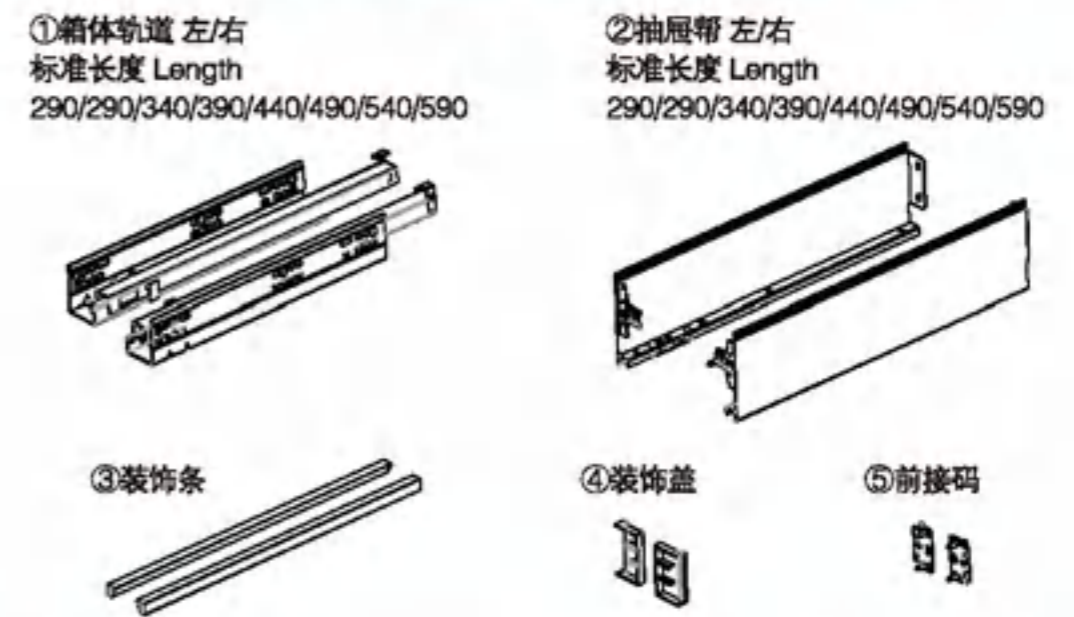
### ■ 产品实图:



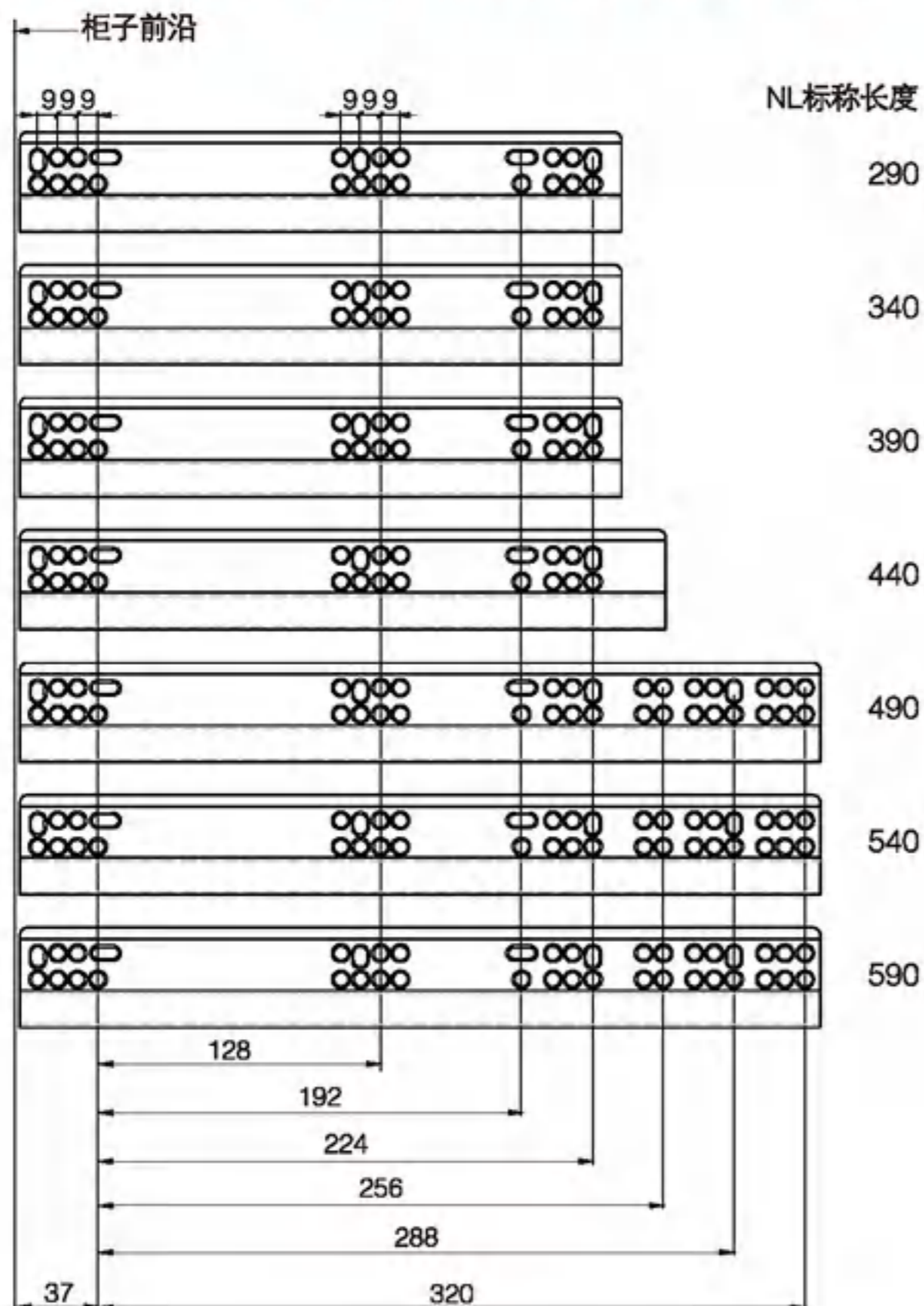
### ■ 独立包装配件 Installation dimension (mm)



### ■ 详细配件 Inside cabinet dimension (mm)

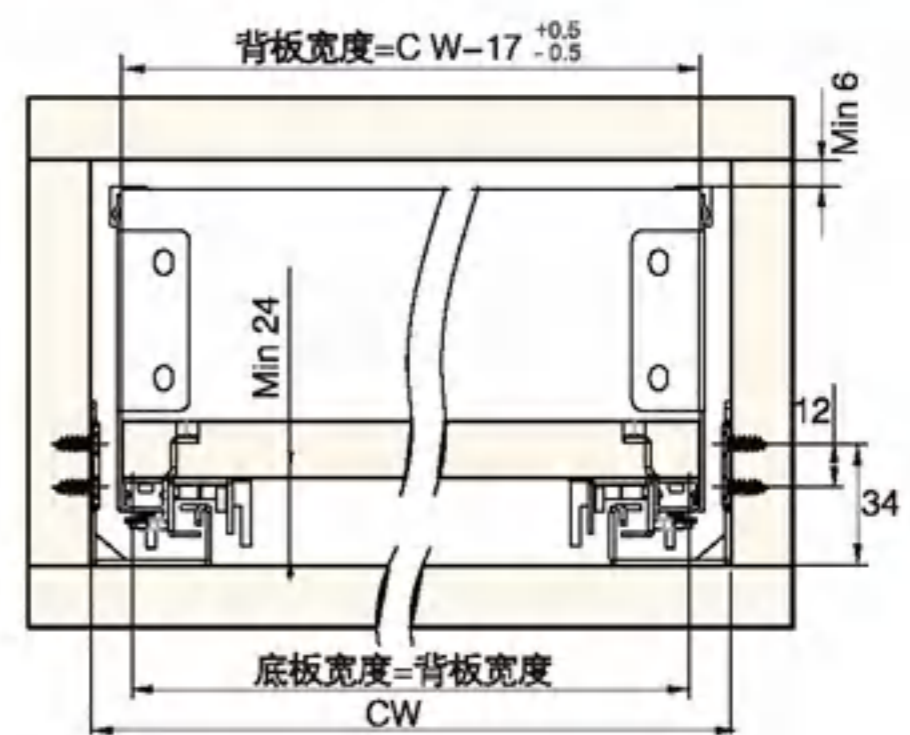


### ■ 滑轨安装孔尺寸(mm) Installation hole size (mm)



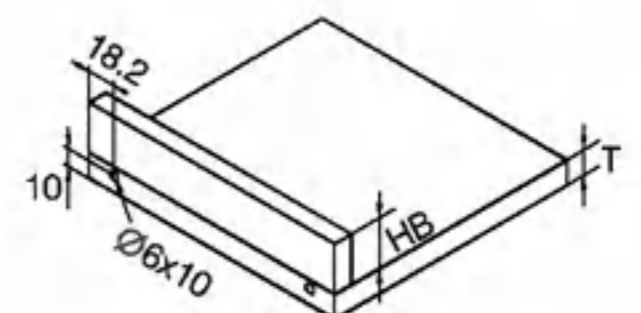
### ■ 滑轨安装尺寸(mm) Installation dimension (mm)

CW=柜子的内部宽度



### ■ 抽屉高度尺寸(mm) Drawer hi dimension (mm)

- T=底板厚度
- 88款 T<19mm
  - 128款 T<39mm
  - 158款 T<54mm
- HB=背板高度尺寸(mm)
- 88款 HB=89-T
  - 128款 HB=129-T
  - 158款 HB=159-T

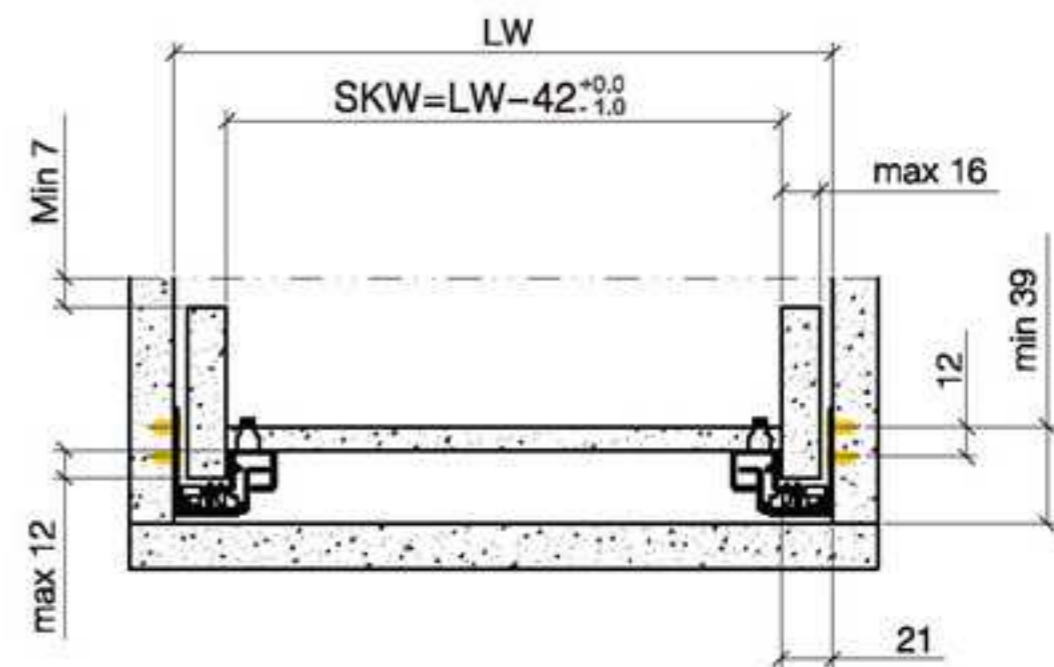
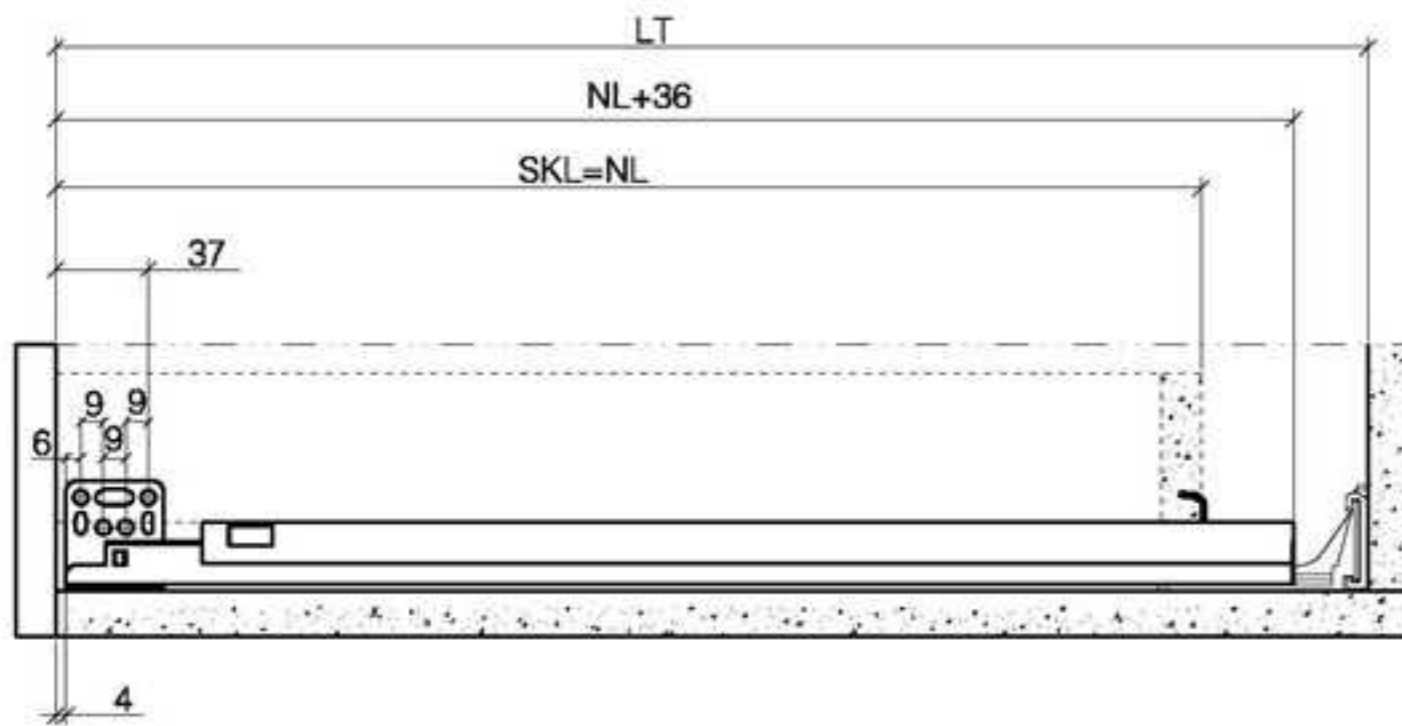


■ 产品实图:



■ 柜体安装所需空间(16mm) Space required for cabinet installation (16mm)

NL	305	381	457	533
LT min	363	439	515	591
LT max	383	459	535	611



NL=滑轨标称长度

LT=柜体内部深度

LT=柜体内部深度

ISKL=抽屉长度

SKW=抽屉宽度

NL=Nominal slide length

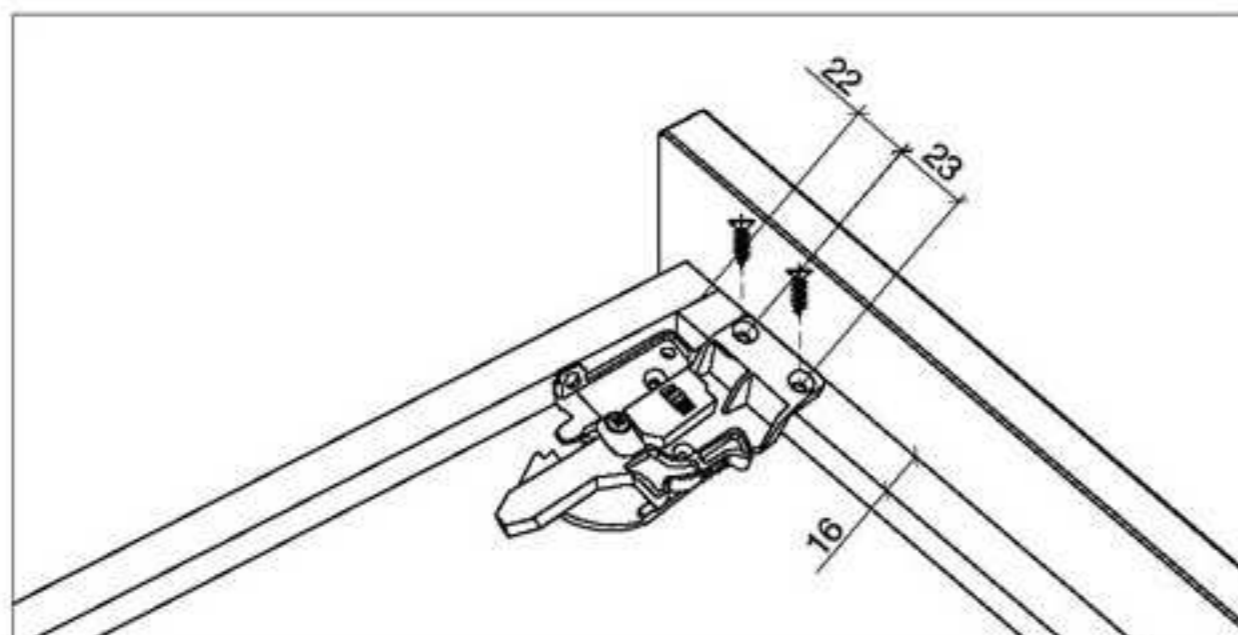
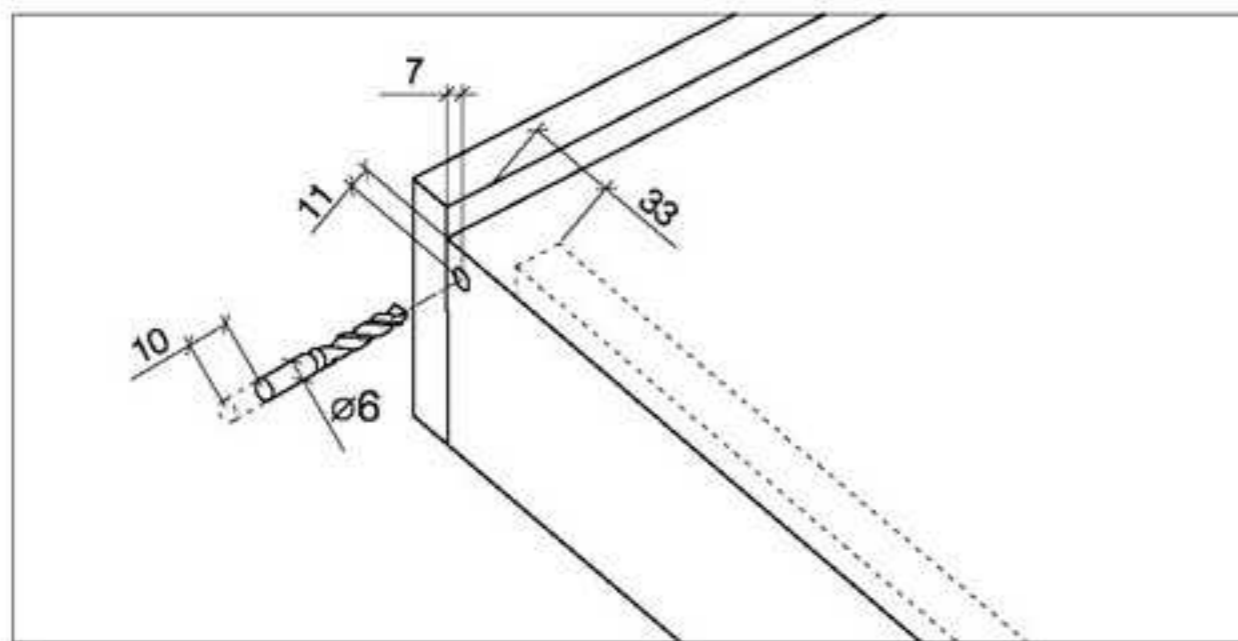
LT=Cabinet inner depth

LT=Cabinet inner depth

ISKL=Drawer inner length

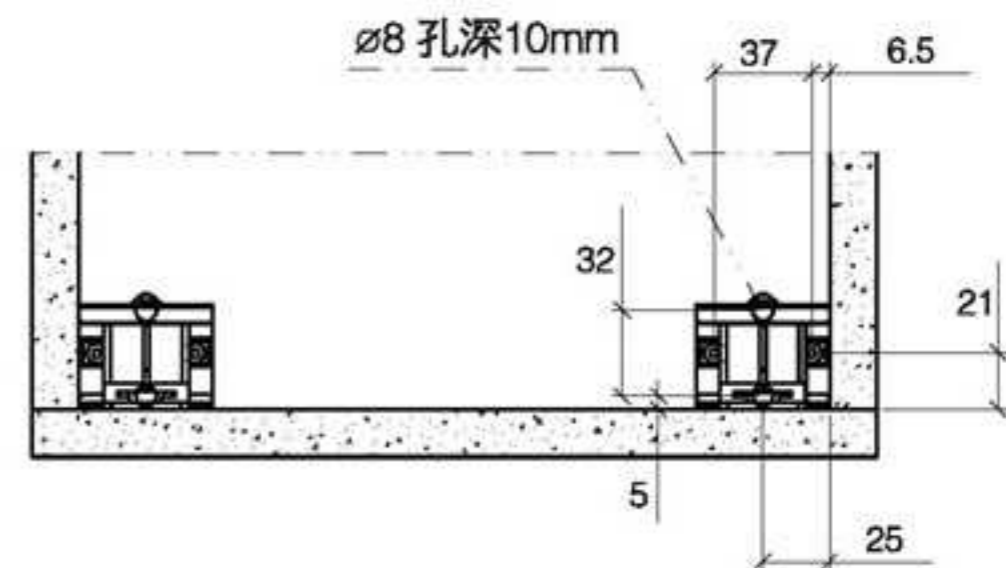
SKW=Drawer width

■ 抽屉钻孔尺寸(mm) Drawer bore size (mm)



■ 抽屉钻孔尺寸(mm)

Installation data of plastic tail support (mm)





## 盛迪铂生抽屉

纤薄坚韧  
融合功能主义与极简艺术

### Drawer Organizer

Slim and tough, merging functionalism with minimalist art.



## 创新阻尼技术 开合柔缓, 静音安全

集成阻尼系统, 防止大力撞击  
缓缓闭合, 更安全、更静音

Innovative damping technology for smooth and slow opening and closing, silent and safe.  
Integrated damping system prevents hard impact, ensures slow and gentle closing, safer and quieter.



SPECIALTY  
CREATES MASTERPIEC

专业铸造 奉献精品

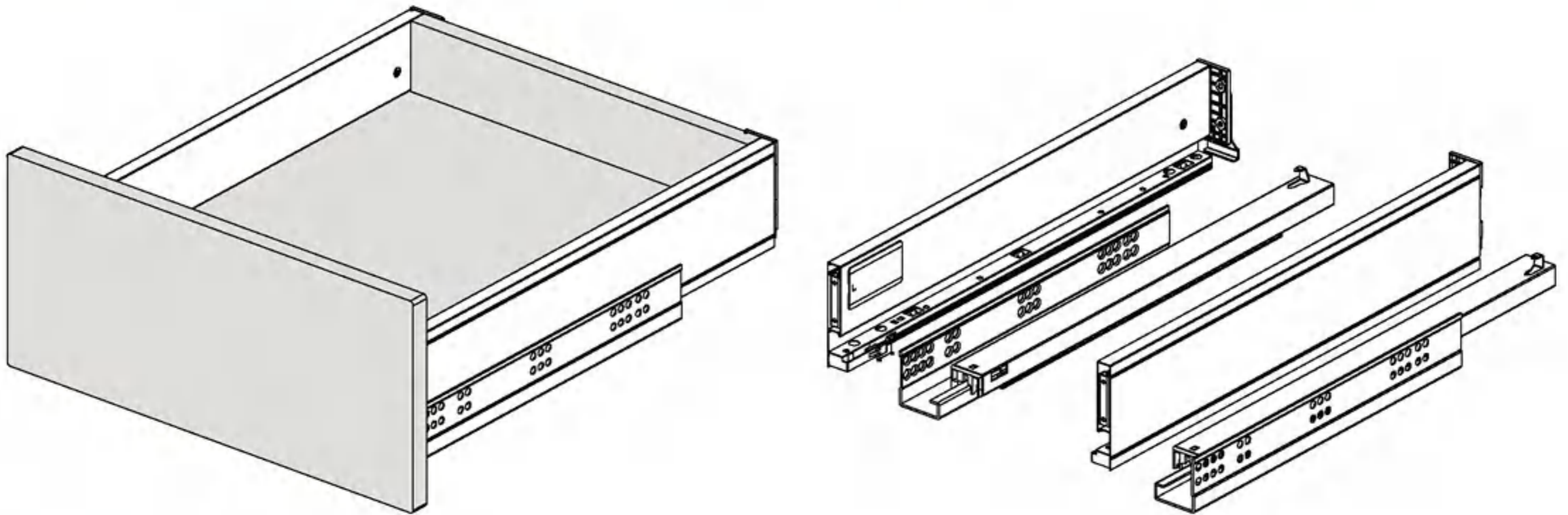
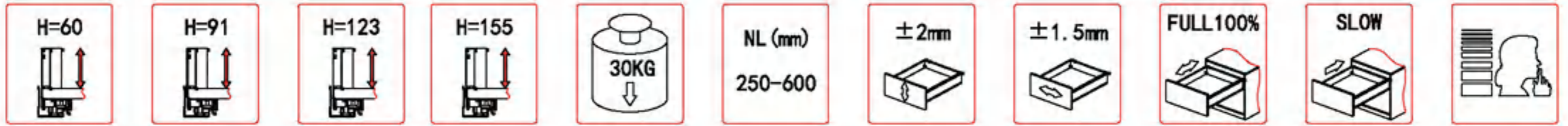
# HARDWARE

Professional Furniture

## 家具家居骑马抽

Furniture home riding

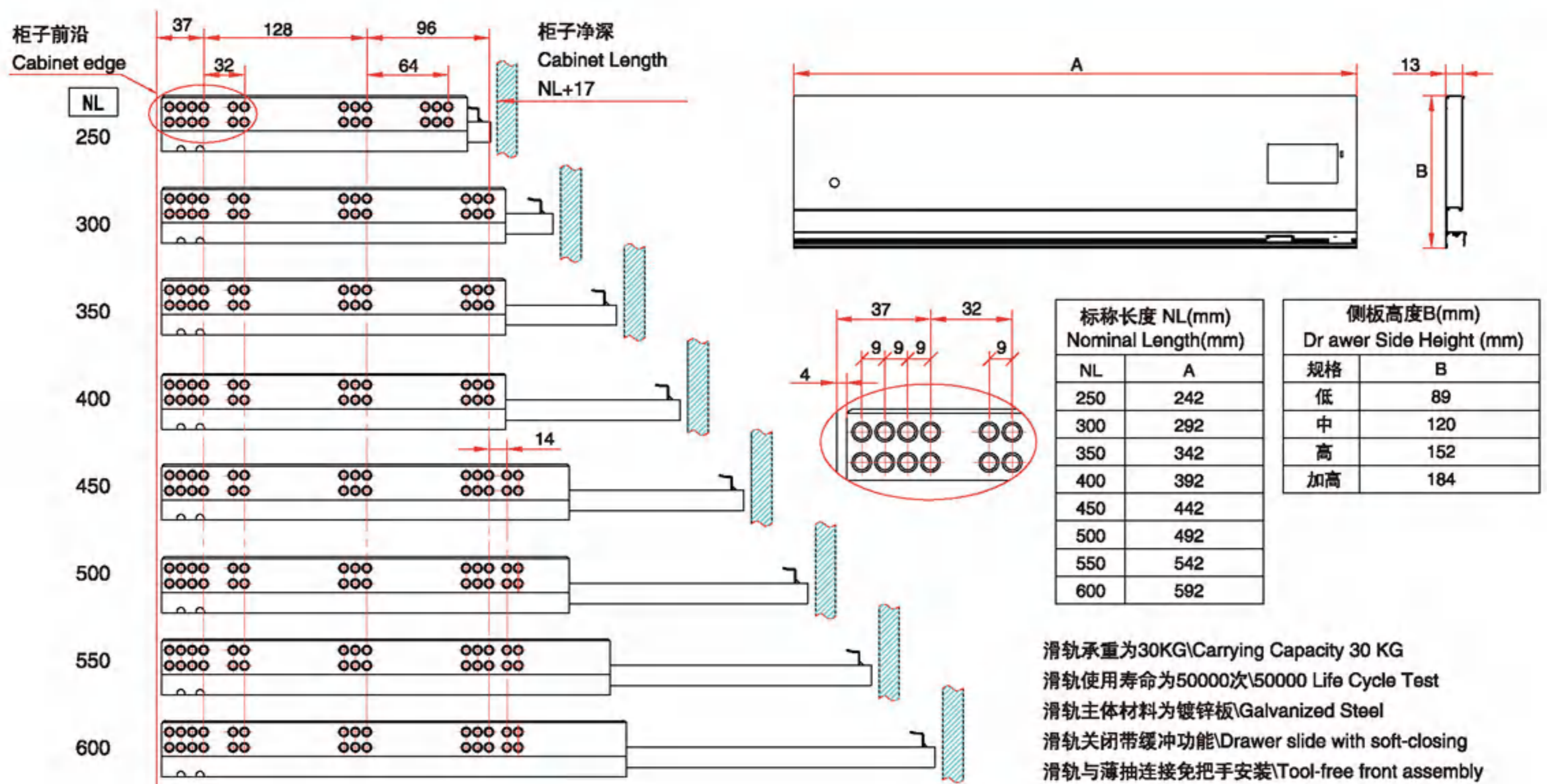
### 产品主要参数 Product Parameters



### 产品包装 Package



### 滑轨安装孔位置(mm) Screw Position(mm)





# SD-V6KT 三节全拉出缓冲滑轨

Pull out the buffer slide in three sections

带螺丝调节，可以左右调节，带缓冲关闭功能；

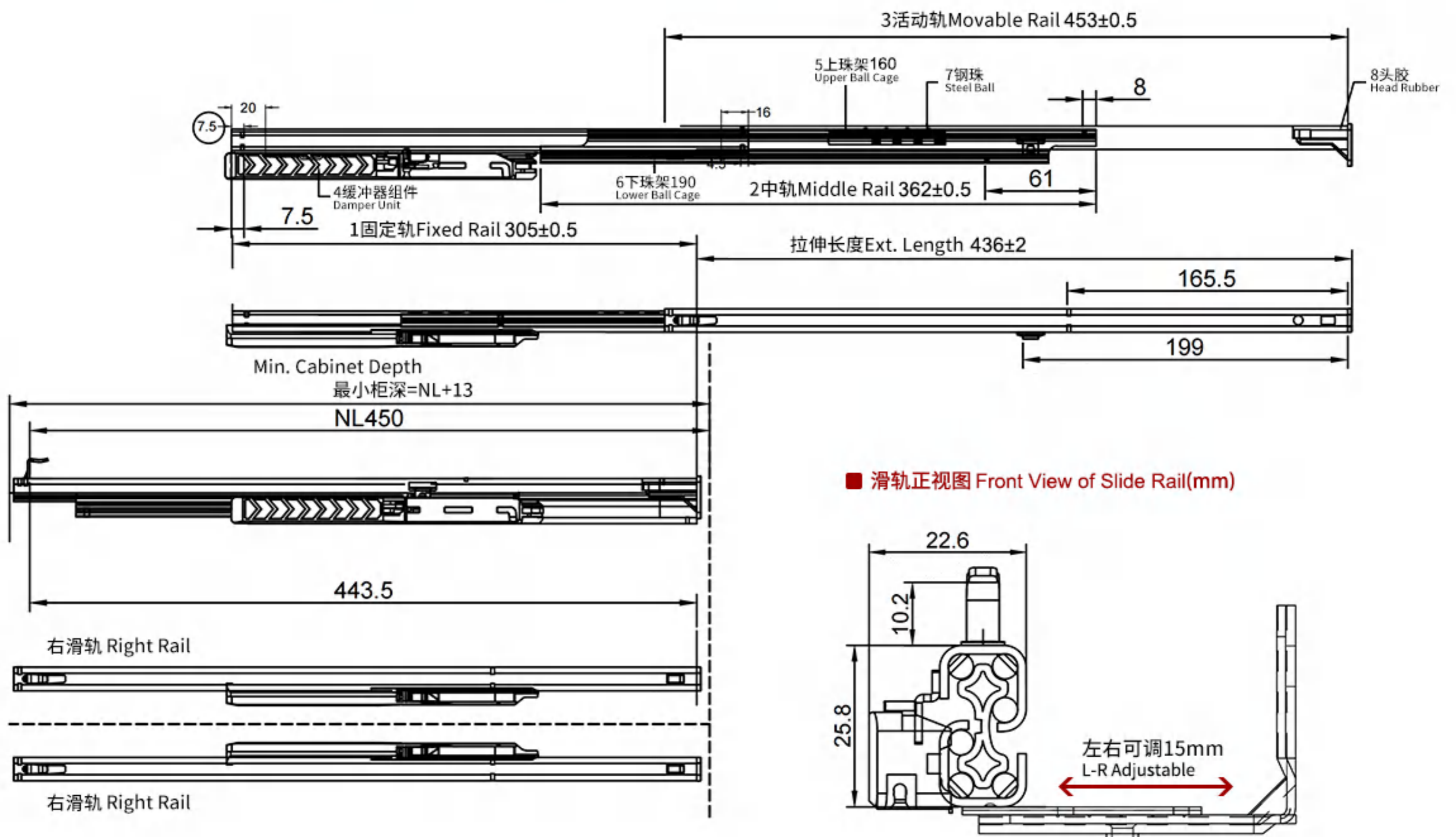
SD-V616KT WITH SCREW ADJUSTMENT FOR LEFT-RIGHT ALIGNMENT, PLUS SOFT-CLOSE FUNCTION

■ 产品 实图：



尺寸类型 Dimension Type	尺寸范围 Dimension Range	尺寸公差 Dimensional Tolerance
长度尺寸 Length Dimension	0-3	±0.1
	3-6	±0.1
	6-30	±0.2
	30-120	±0.3
	120-400	±0.5
角度尺寸 Dimension Range		±1°

■ 滑轨尺寸参数 Slide Rail Dimensions and Specifications(mm)



■ 滑轨正视图 Front View of Slide Rail(mm)

家具家居滑轨系列

FURNITURE

household slide track series





# SD-A216 二节全拉出缓冲滑轨

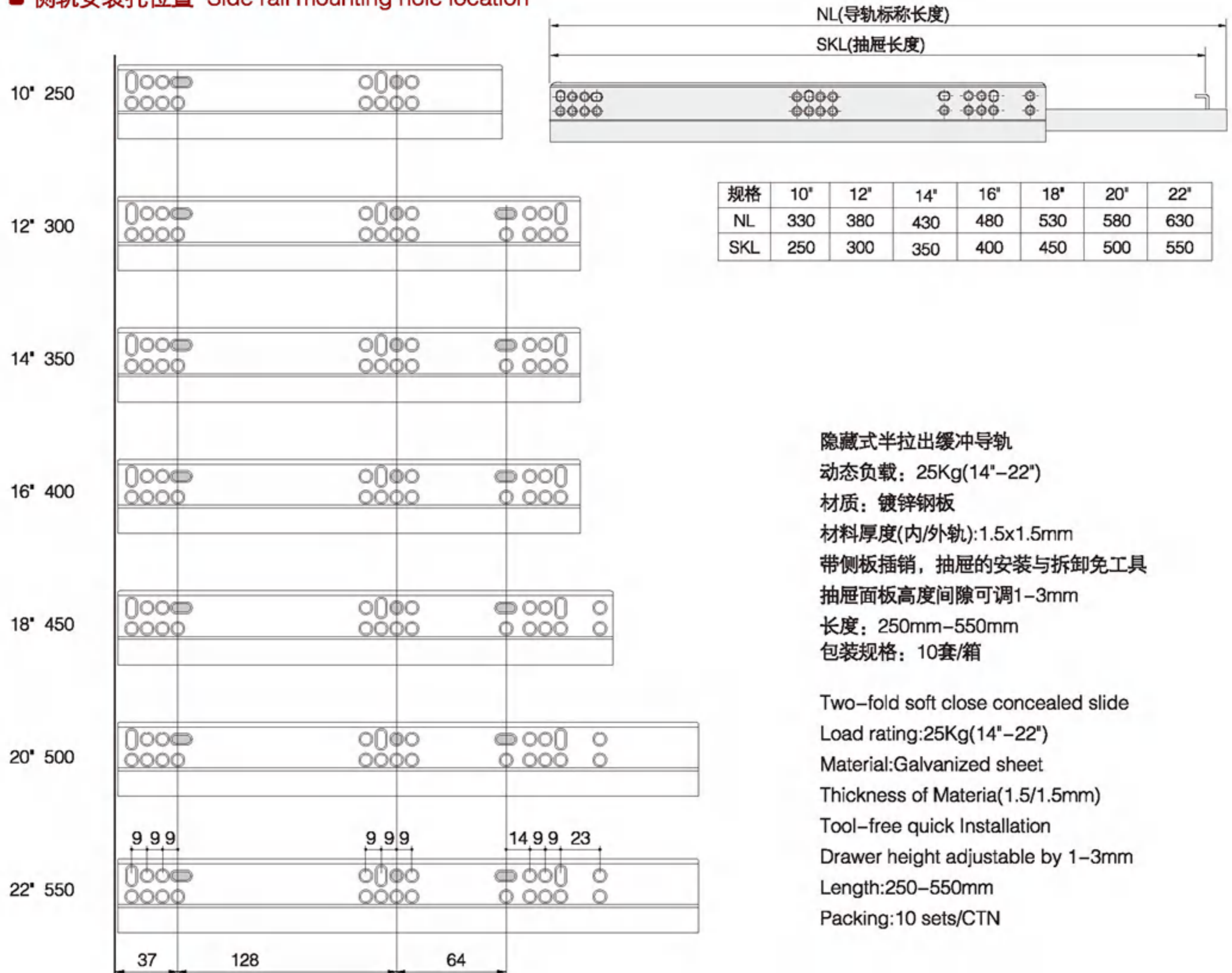
The two sections are pulled out of the slide track

带侧板插销，带缓冲关闭功能，适用16mm以下抽屉侧板；  
SD-A216 TWO-FOLD SOFT CLOSE CONCEALED SLIDE

■ 产品实图：



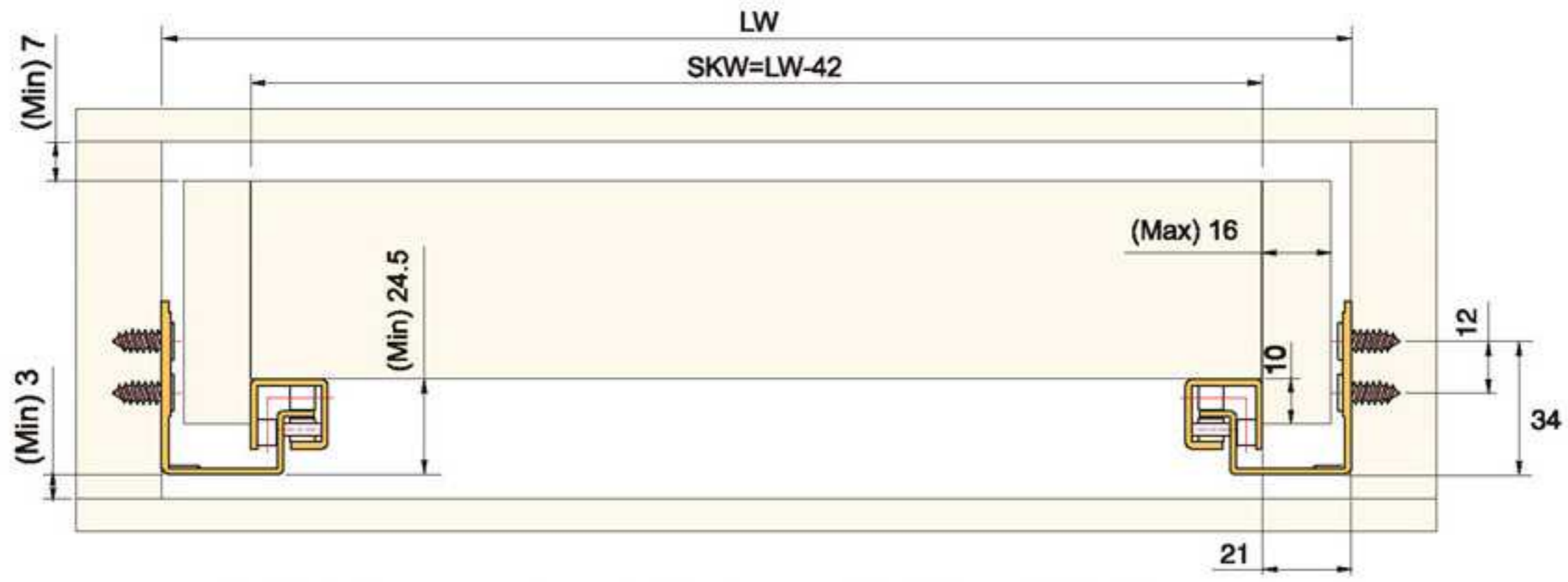
■ 侧轨安装孔位置 Side rail mounting hole location



安装指南:柜体尺寸设计  
SD-A216 INSTALLTION CABINET SIZE DIMENSION

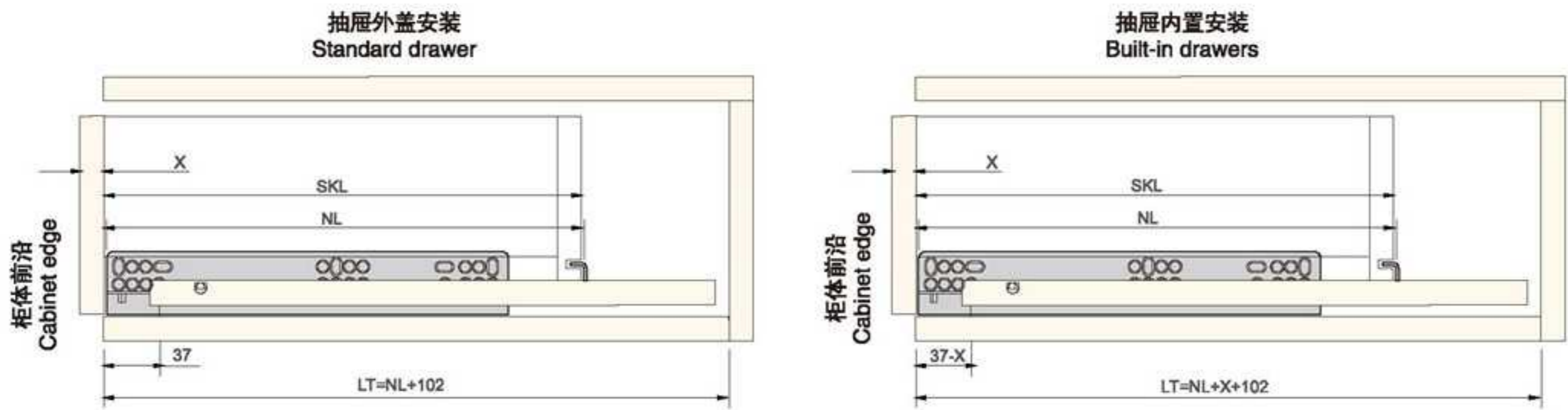


■ 宽度尺寸:



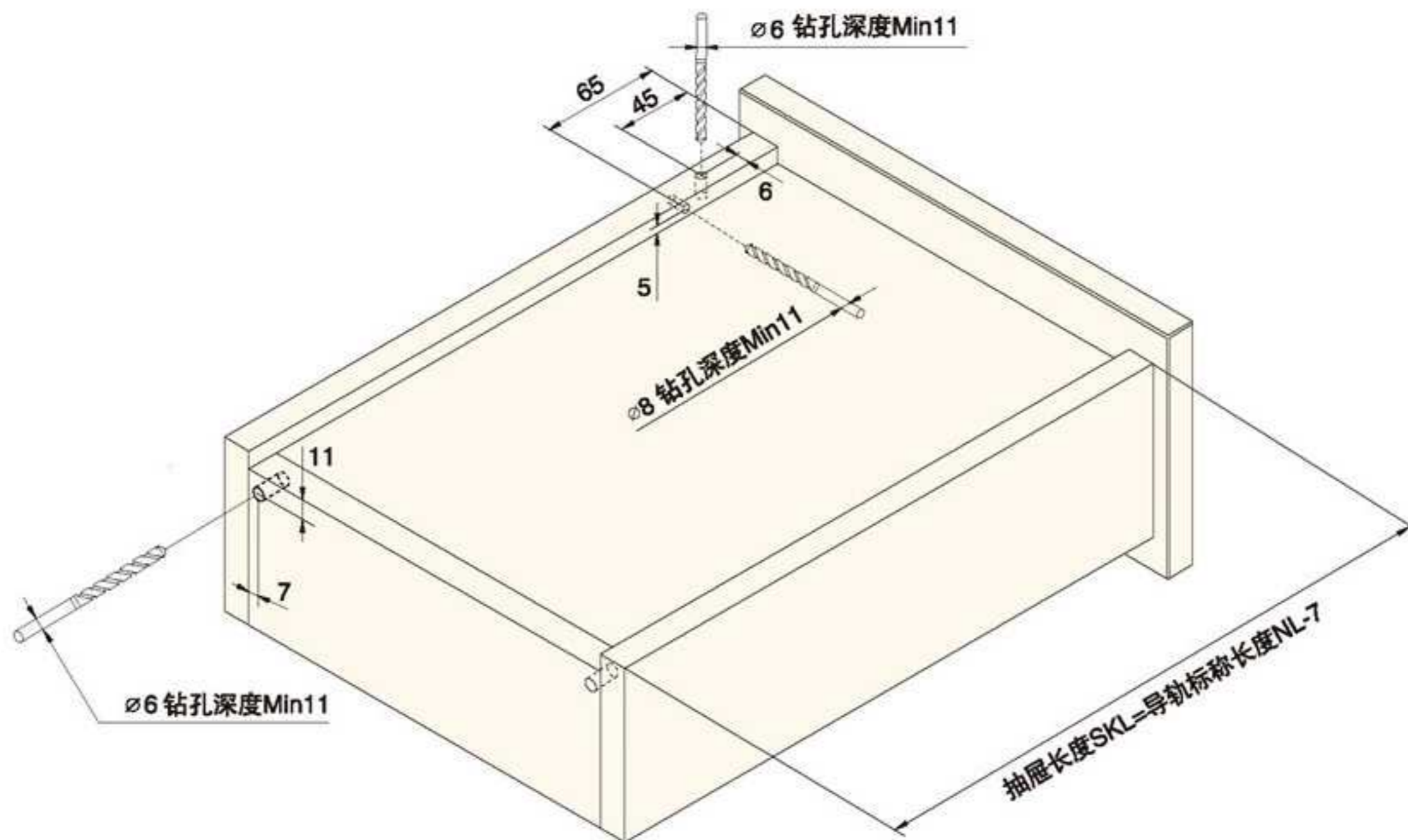
LW=柜体内部净宽  
LW=Cabinet inner width  
SKW=抽屉宽度  
SKW=Drawer width  
最大尺寸  
Max  
最小尺寸  
Min

■ 深度尺寸:



NL=导轨标称长度  
NL=Nominal slide length  
LT=柜体内部深度  
LT=Cabinet inner depth  
SKL=抽屉长度  
SKL=Drawer length  
ISKL=内抽屉长度  
ISKL=Drawer inner length  
X=抽屉面板厚度  
X=Drawer panel thickness

■ 底部加工:





## SD-C216 二节半拉出缓冲滑轨(32孔)

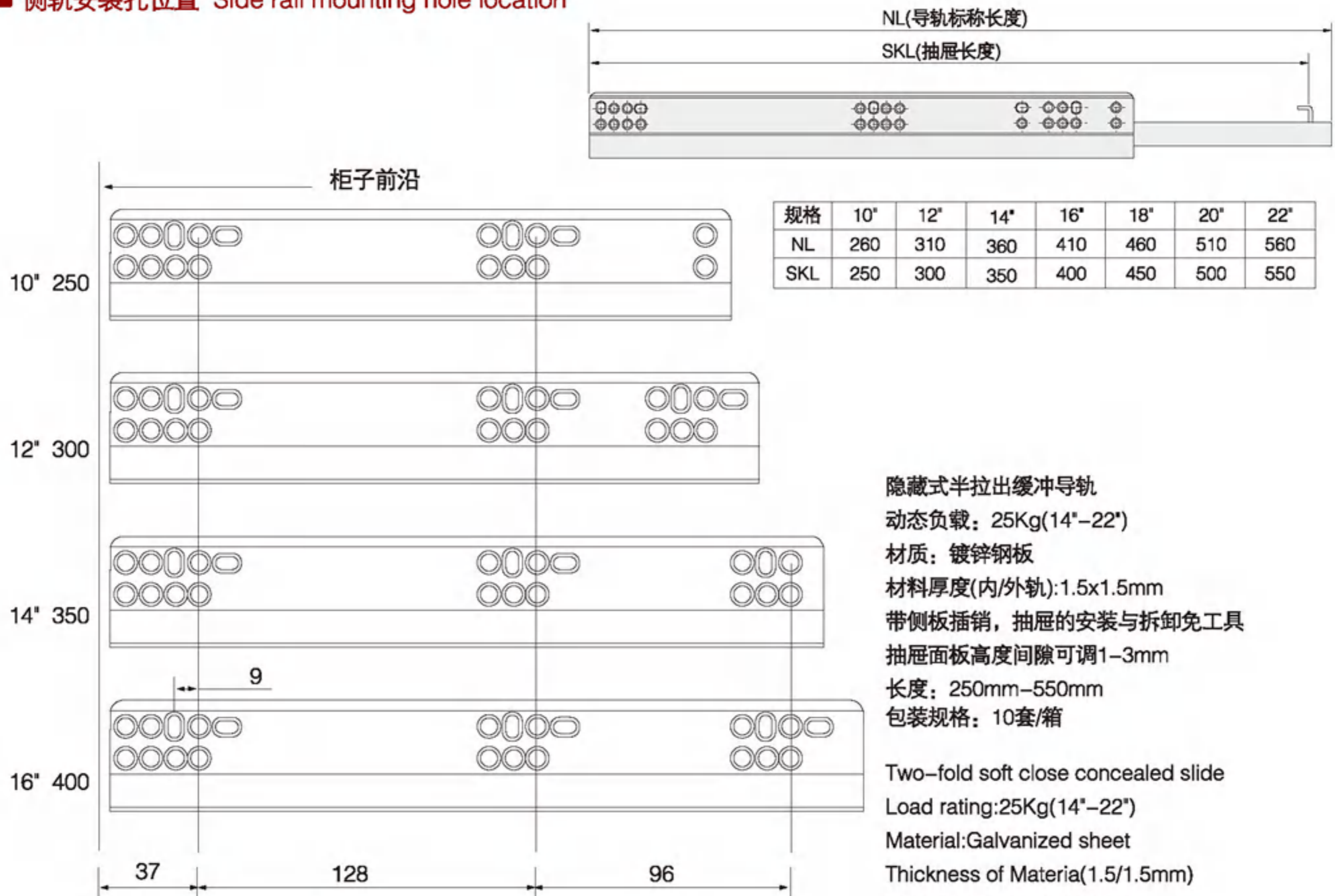
Pull out the buffer slide in two sections Hole (32)

带侧板插销，带缓冲关闭功能，适用16mm以下抽屉侧板；  
SD-C216 TWO-FOLD SOFT CLOSE CONCEALED SLIDE

### ■ 产品实图：



### ■ 侧轨安装孔位置 Side rail mounting hole location



隐藏式半拉出缓冲导轨

动态负载：25Kg(14"-22")

材质：镀锌钢板

材料厚度(内/外轨):1.5x1.5mm

带侧板插销，抽屉的安装与拆卸免工具

抽屉面板高度间隙可调1-3mm

长度：250mm-550mm

包装规格：10套/箱

Two-fold soft close concealed slide

Load rating:25Kg(14"-22")

Material:Galvanized sheet

Thickness of Materia(1.5/1.5mm)

Tool-free quick Installation

Drawer height adjustable by 1-3mm

Length:250-550mm

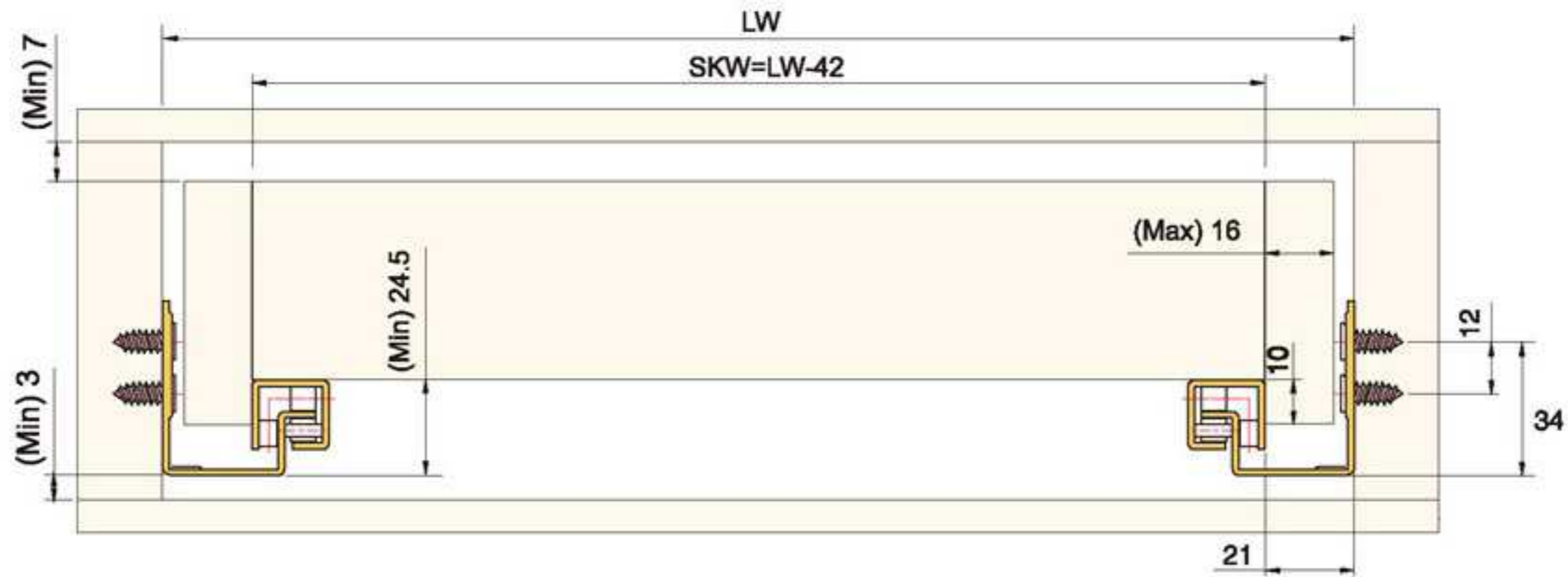
Packing:10 sets/CTN

安装指南:柜体尺寸设计

SD-C216 INSTALLTION CABINET SIZE DIMENSION

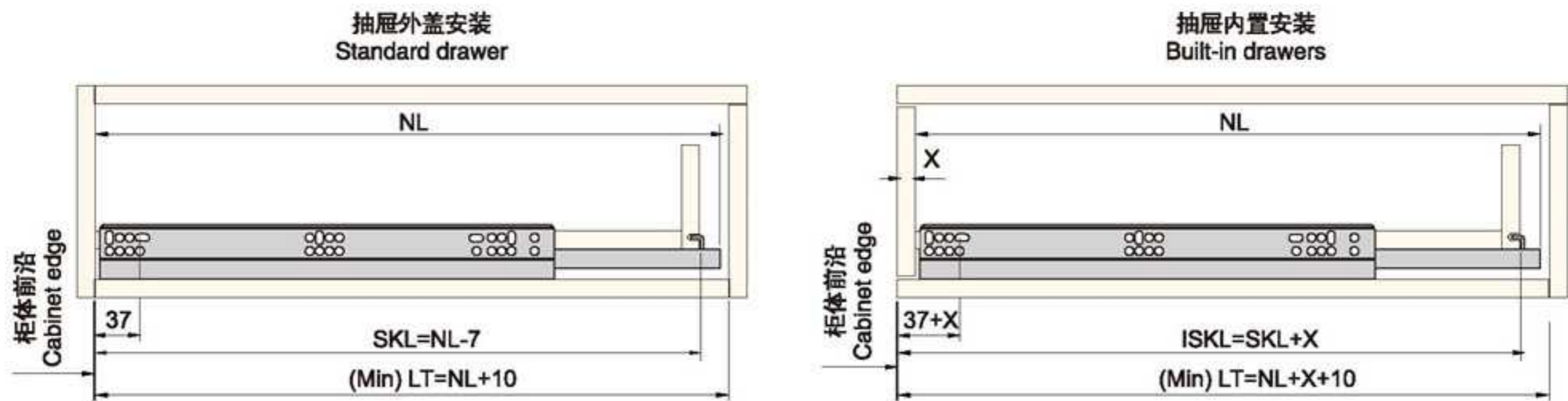


■ 宽度尺寸:



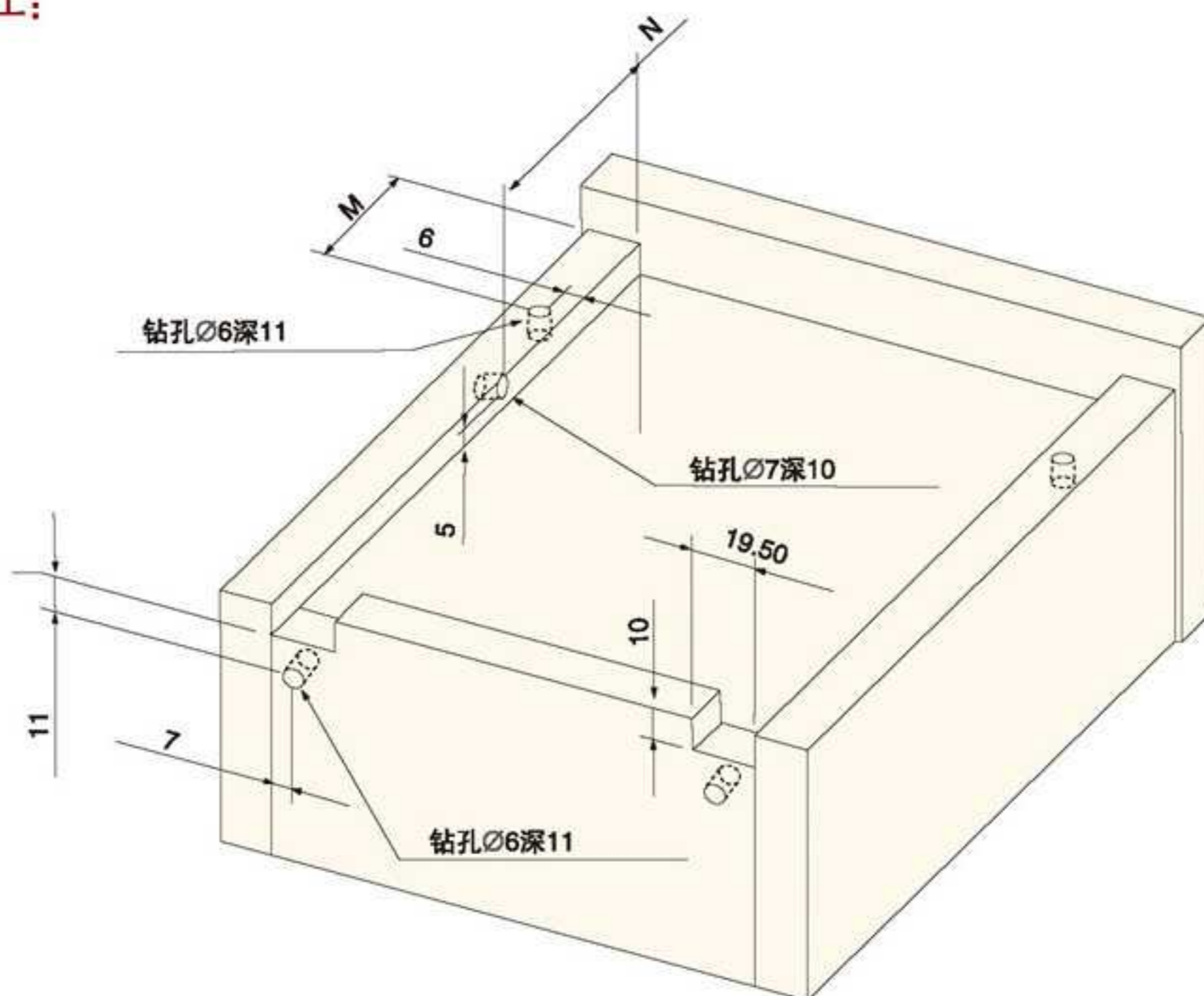
LW=柜体内部净宽  
LW=Cabinet inner width  
SKW=抽屉宽度  
SKW=Drawer width  
最大尺寸  
Max  
最小尺寸  
Min

■ 深度尺寸:



NL=导轨标称长度  
NL=Nominal slide length  
LT=柜体内部深度  
LT=Cabinet inner depth  
SKL=抽屉长度  
SKL=Drawer length  
ISKL=内抽屉长度  
ISKL=Drawer inner length  
X=抽屉面板厚度  
X=Drawer panel thickness

■ 底部加工:



规格尺寸

规格	M	N
250(10寸)	22	54
300(12寸)	47	79
350(14寸)	71	103
400(16寸)	86	118

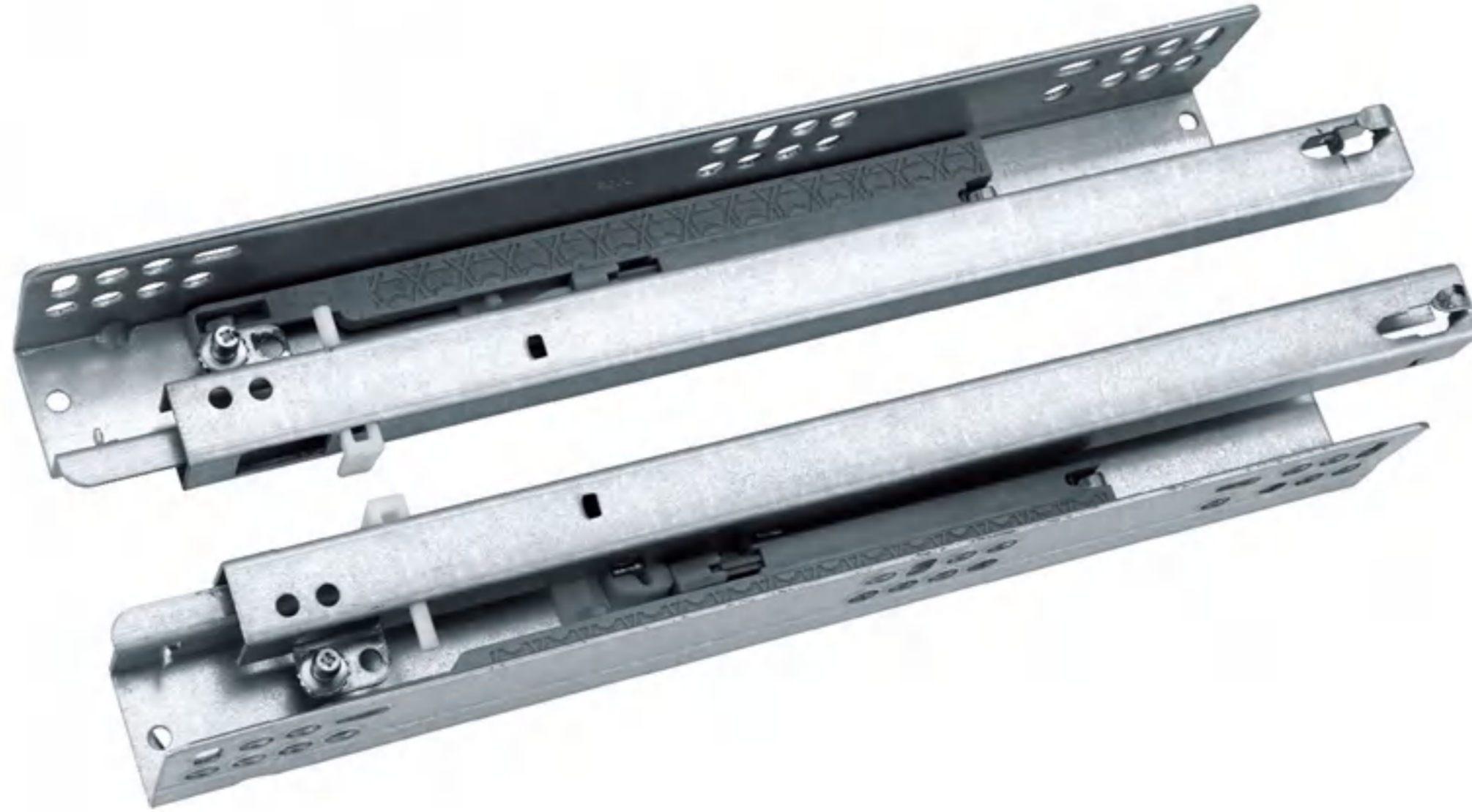


# SD-F216 二节半拉出反弹滑轨

Half pull out of the rebound slide

带侧板插销，带按弹开启功能，适用16mm以下抽屉侧板；  
SD-F216 TWO-FOLD REBOUND CONCEALED SLIDE

■ 产品实图：

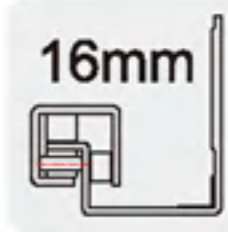


■ 侧轨安装孔位置 Side rail mounting hole location

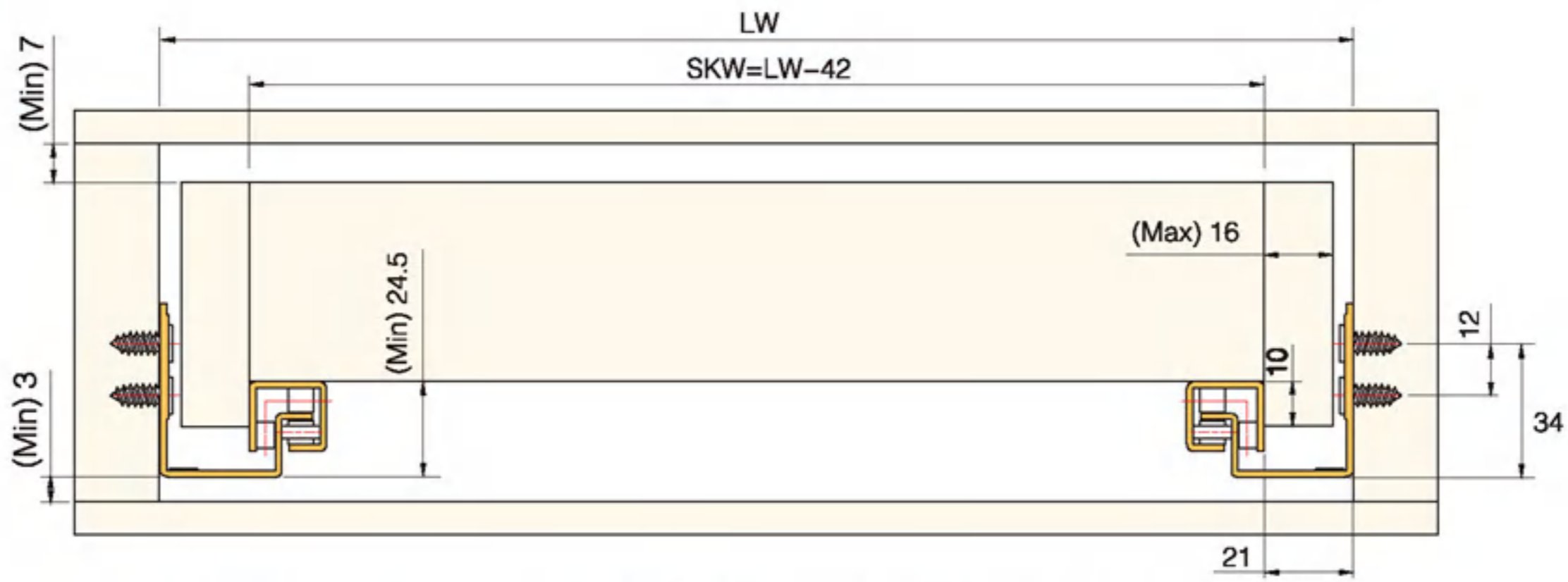


安装指南;柜体尺寸设计

SD-F216 INSTALLTION CABINET SIZE DIMENSION

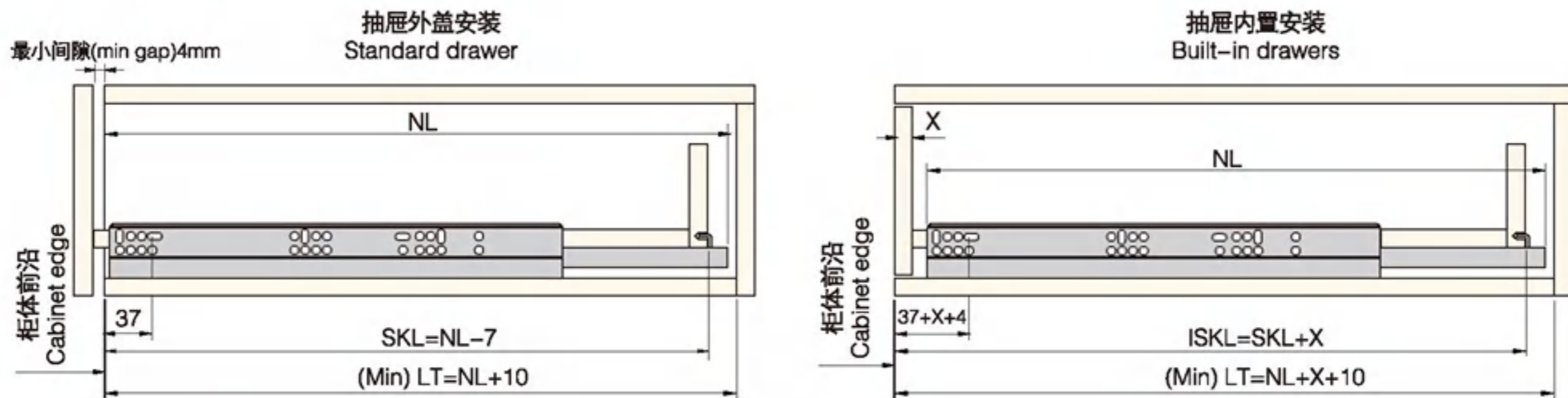


■ 宽度尺寸:



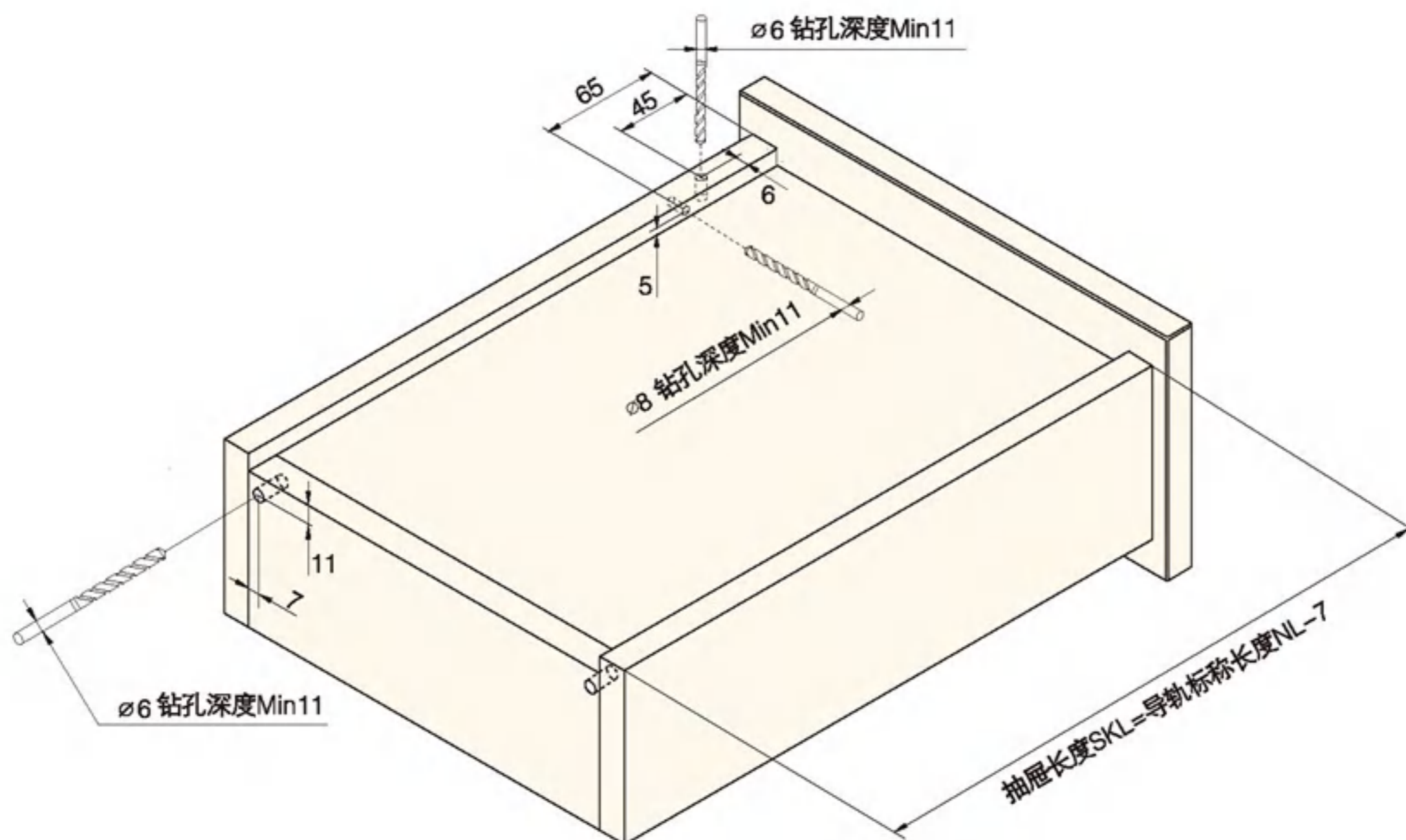
LW=柜体内部净宽  
LW=Cabinet inner width  
SKW=抽屉宽度  
SKW=Drawer width  
最大尺寸  
Max  
最小尺寸  
Min

■ 深度尺寸:



NL=导轨标称长度  
NL=Nominal slide length  
LT=柜体内部深度  
LT=Cabinet inner depth  
SKL=抽屉长度  
SKL=Drawer length  
ISKL=内抽屉长度  
ISKL=Drawer inner length  
X=抽屉面板厚度  
X=Drawer panel thickness

■ 底部加工:





## SD-F216B 二节半拉出反弹滑轨(带把手)

Half pull out of the rebound slide(with a handle)

全塑胶把手, 带缓冲关闭功能, 适用16mm抽屉侧板;  
SD-F216B TWO-FOLD SOFT CLOSE CONCEALED SLIDE

### 产品实图:



实图未能显示的安裝尺寸, 请参阅下述数据

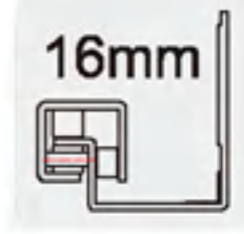
### 侧轨安装孔位置 Side rail mounting hole location



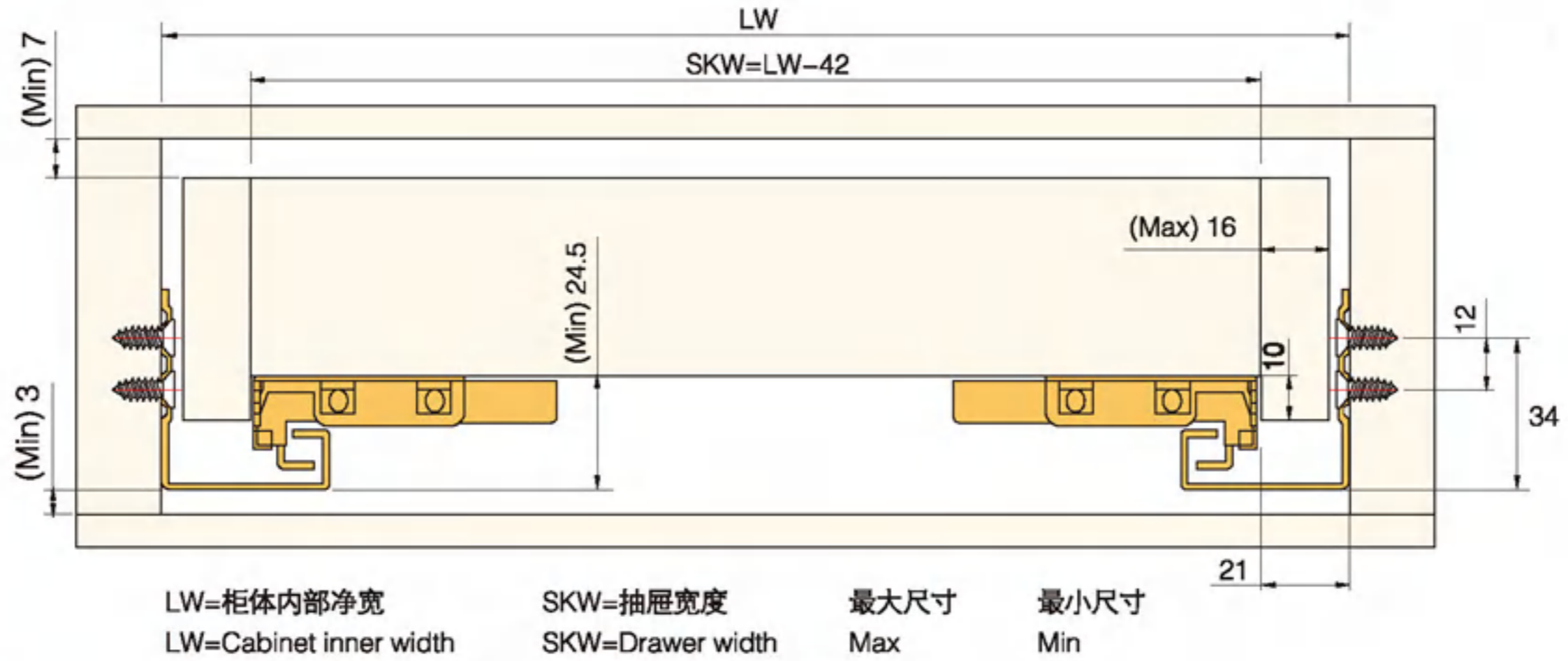
隐藏式半拉出缓冲导轨  
 动态负载: 25Kg(14"-22")  
 材质: 镀锌钢板  
 材料厚度(内/外轨): 1.5x1.5mm  
 带快速拆装扣手, 抽屉可快速安装和拆卸  
 抽屉面板高度间隙可调1-3mm  
 长度: 250mm-550mm  
 包装规格: 10套/箱

Two-fold soft close concealed slide  
 Load rating: 25Kg(14"-22")  
 Material: Galvanized sheet  
 Thickness of Material(1.5/1.5mm)  
 Tool-free quick Installation  
 Drawer height adjustable by 1-3mm  
 Length: 250-550mm  
 Packing: 10 sets/CTN

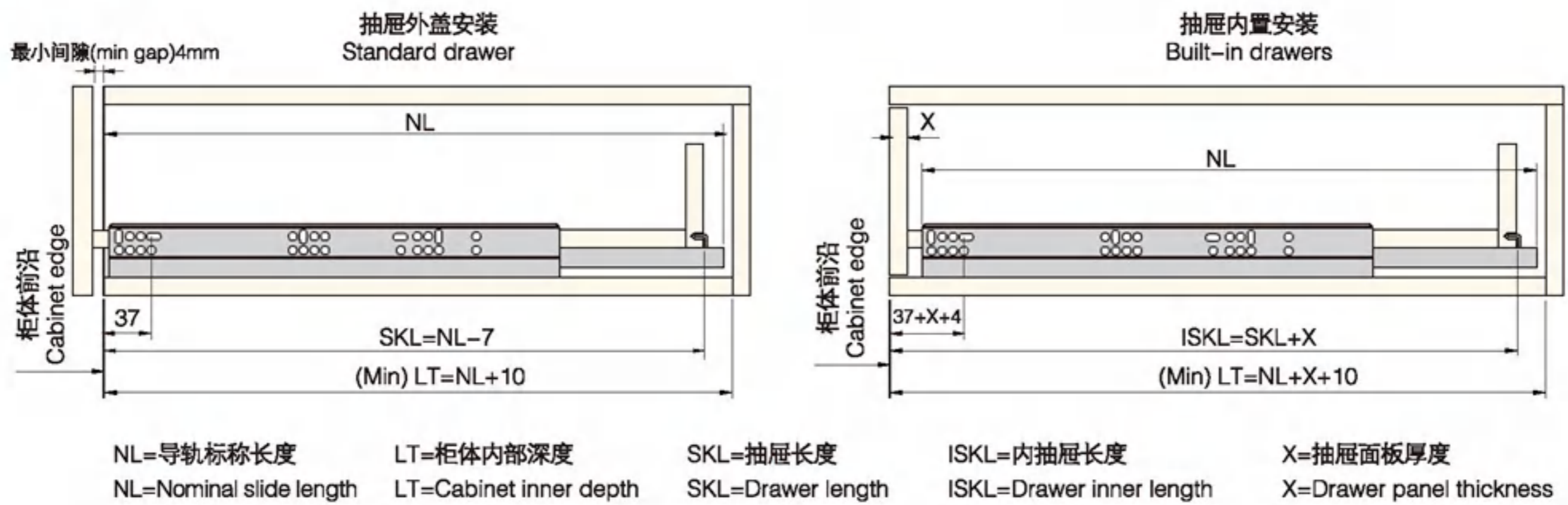
安装指南;柜体尺寸设计  
SD-F216B INSTALLTION CABINET SIZE DIMENSION



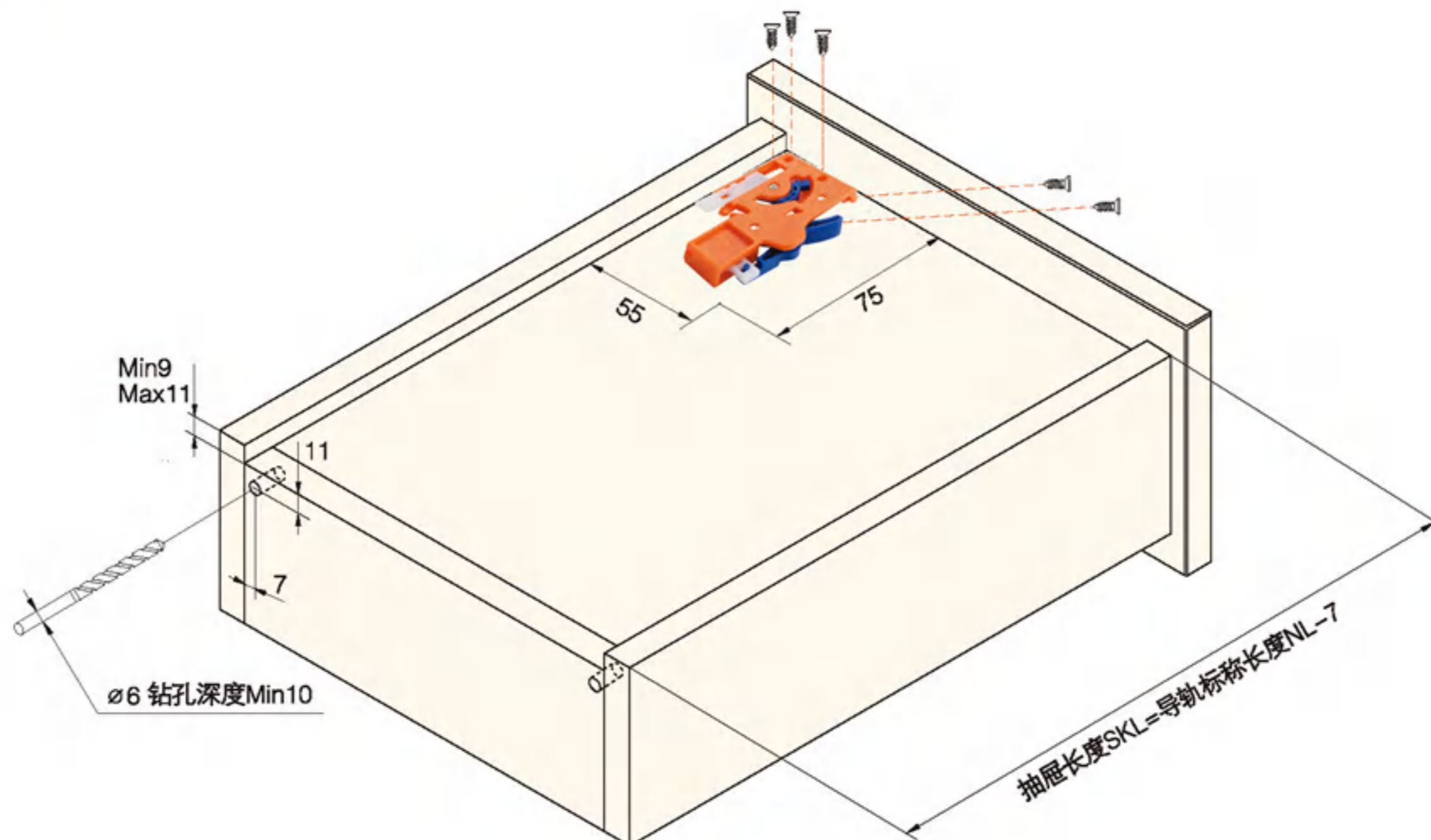
■ 宽度尺寸:



■ 深度尺寸:



■ 底部加工:





# SD-B316F 三节全拉出反弹滑轨

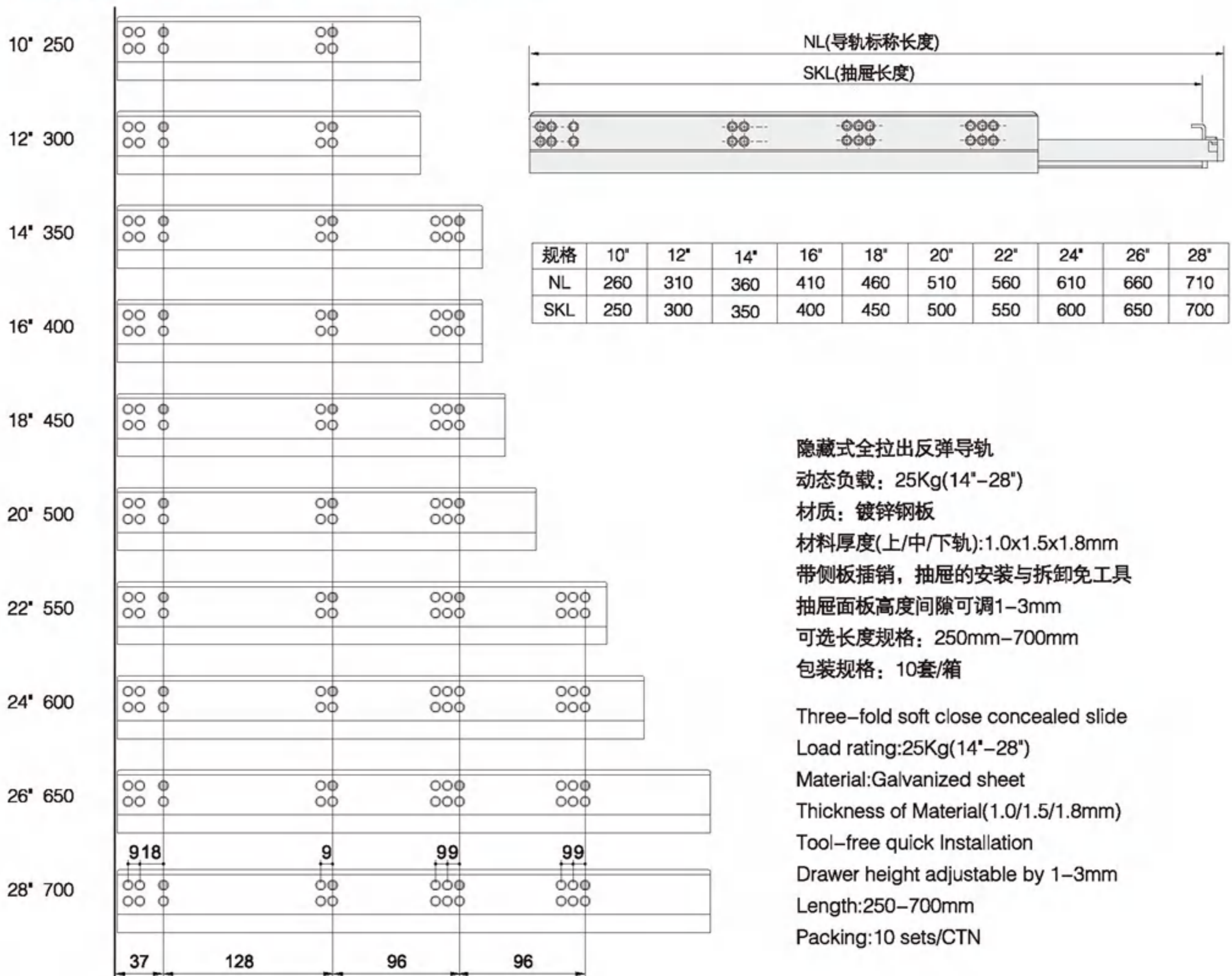
Three sections full pull out rebound slide track

带侧板插销，带反弹关闭功能，适用16mm以下抽屉侧板；  
SD-B316F THREE-FOLD SOFT CLOSE CONCEALED SLIDE

■ 产品实图：



■ 侧轨安装孔位置 Side rail mounting hole location

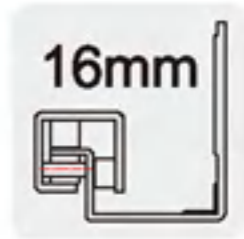


隐藏式全拉出反弹导轨  
 动态负载：25Kg(14"-28")  
 材质：镀锌钢板  
 材料厚度(上/中/下轨):1.0x1.5x1.8mm  
 带侧板插销，抽屉的安装与拆卸免工具  
 抽屉面板高度间隙可调1-3mm  
 可选长度规格：250mm-700mm  
 包装规格：10套/箱

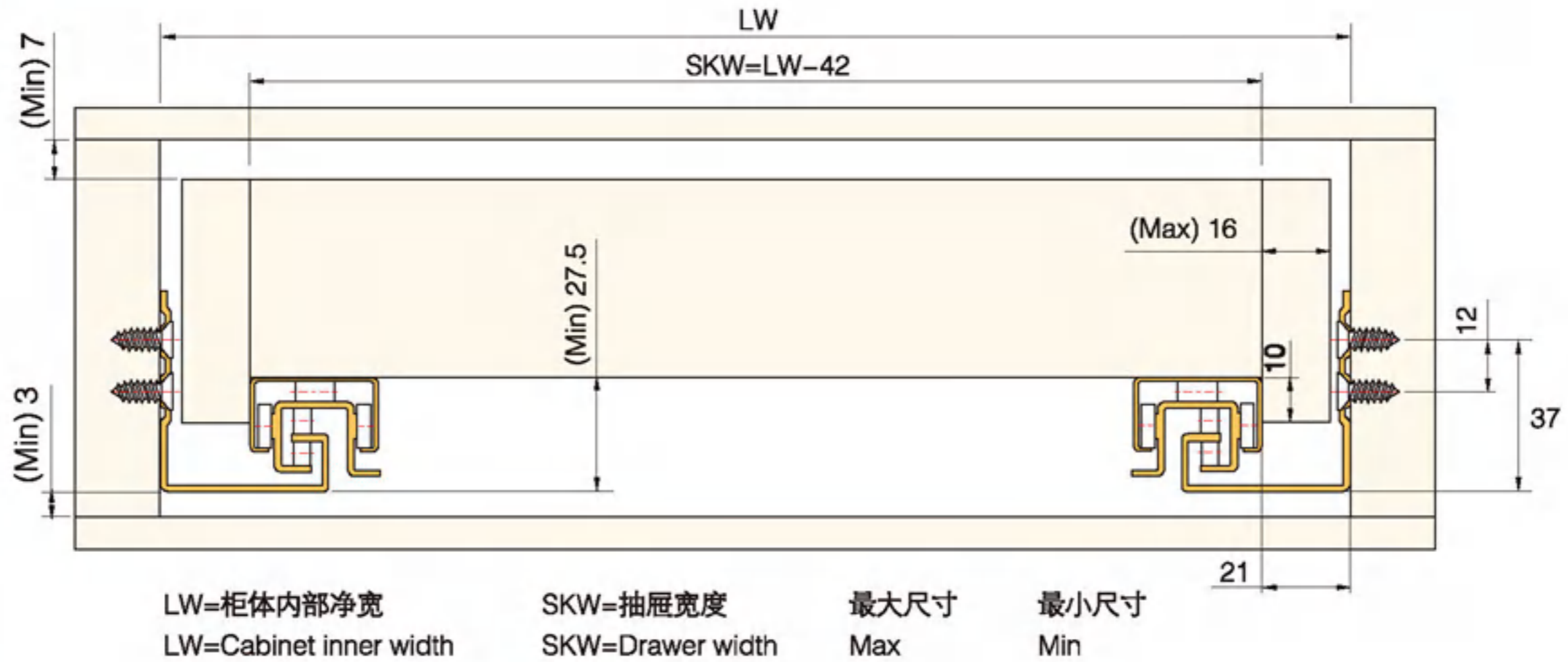
Three-fold soft close concealed slide  
 Load rating:25Kg(14"-28")  
 Material:Galvanized sheet  
 Thickness of Material(1.0/1.5/1.8mm)  
 Tool-free quick Installation  
 Drawer height adjustable by 1-3mm  
 Length:250-700mm  
 Packing:10 sets/CTN

安装指南:柜体尺寸设计

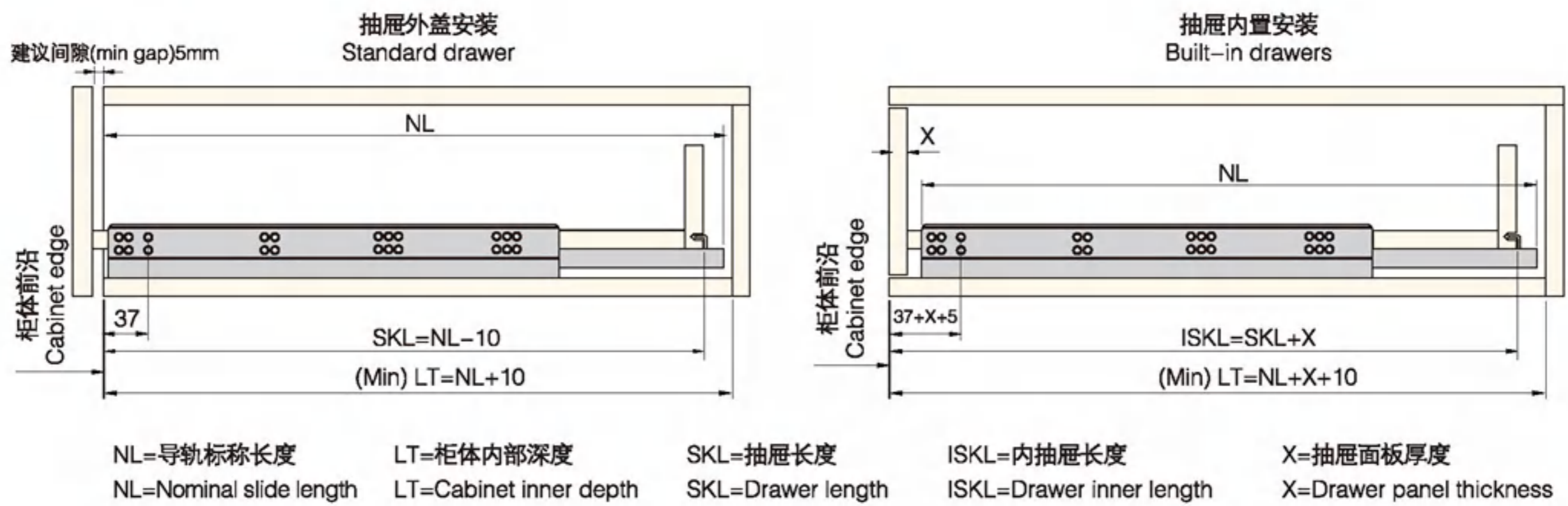
SD-B316F INSTALLTION CABINET SIZE DIMENSION



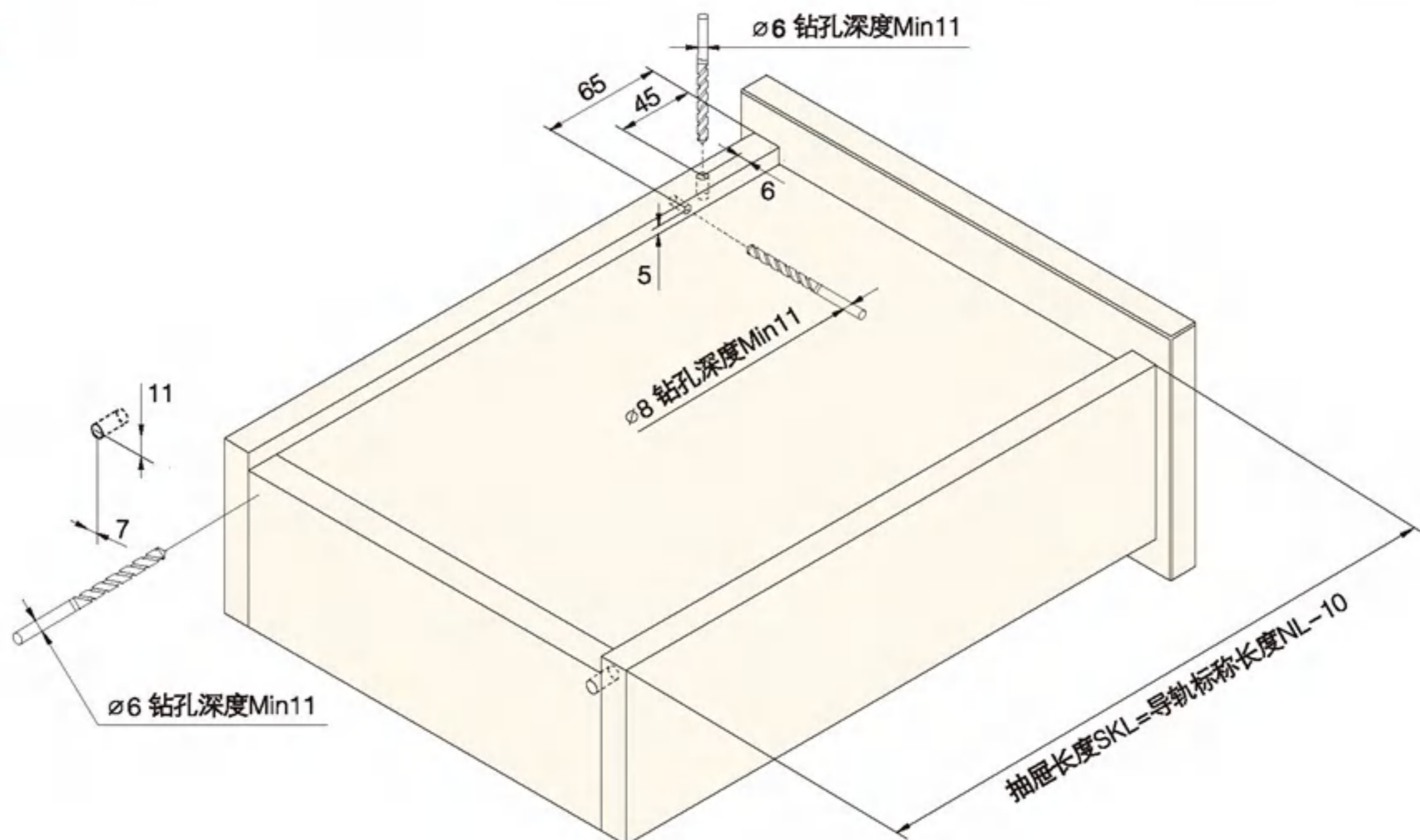
■ 宽度尺寸:



■ 深度尺寸:



■ 底部加工:





# SD-A316B 三节全拉出缓冲滑轨(带把手)

All three sections pull out the cushioning slide(with a handle)

锌合金把手，带液压缓冲关闭功能，适用16mm以下抽屉侧板(可做18mm侧板)  
SD-A316B CLIP ON THREE-FOLD SOFT CLOSE CONCEALED SLIDE

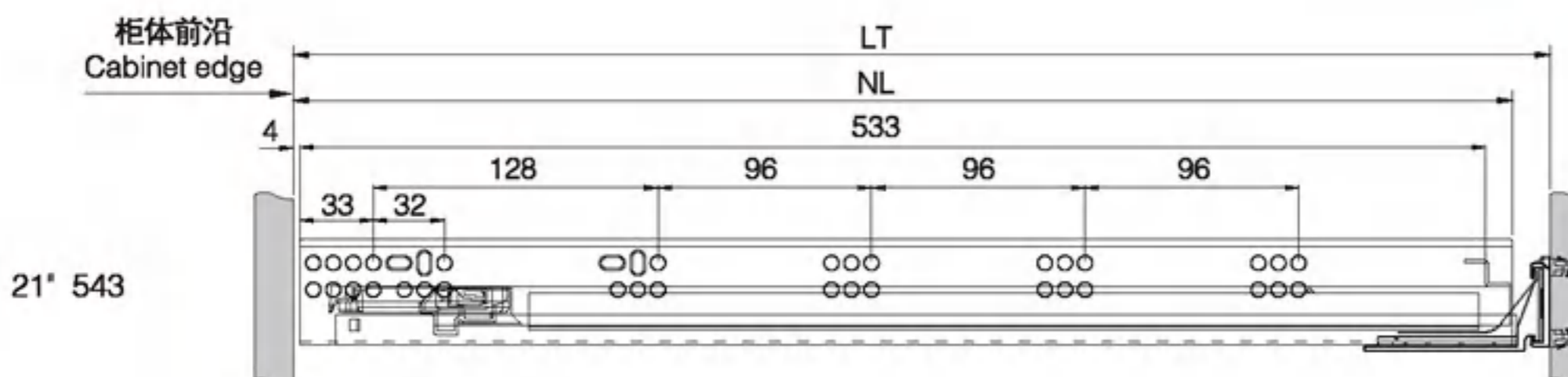
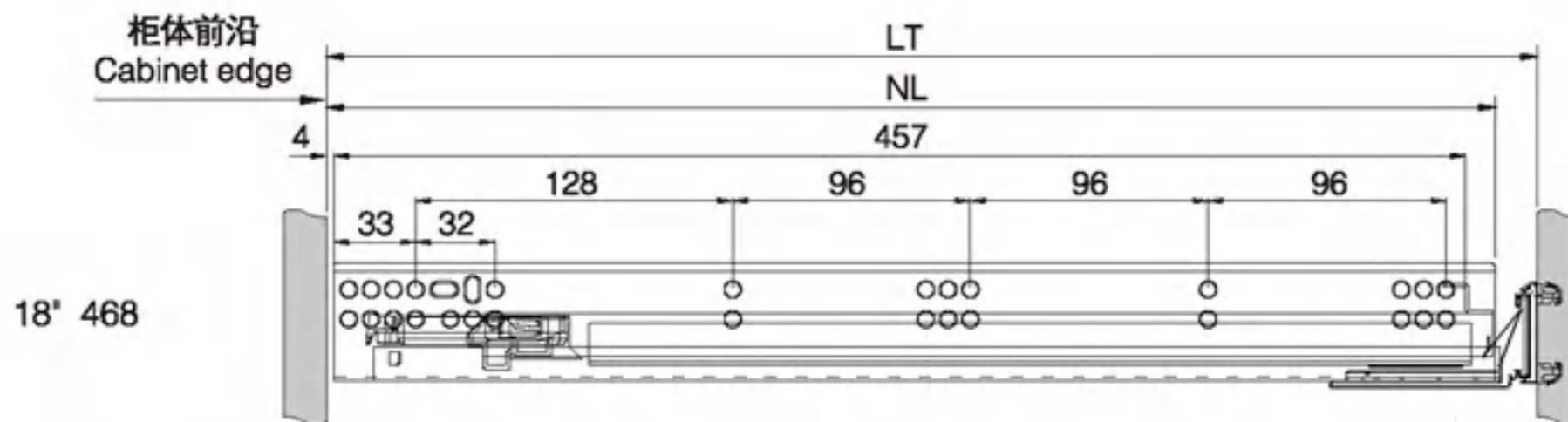
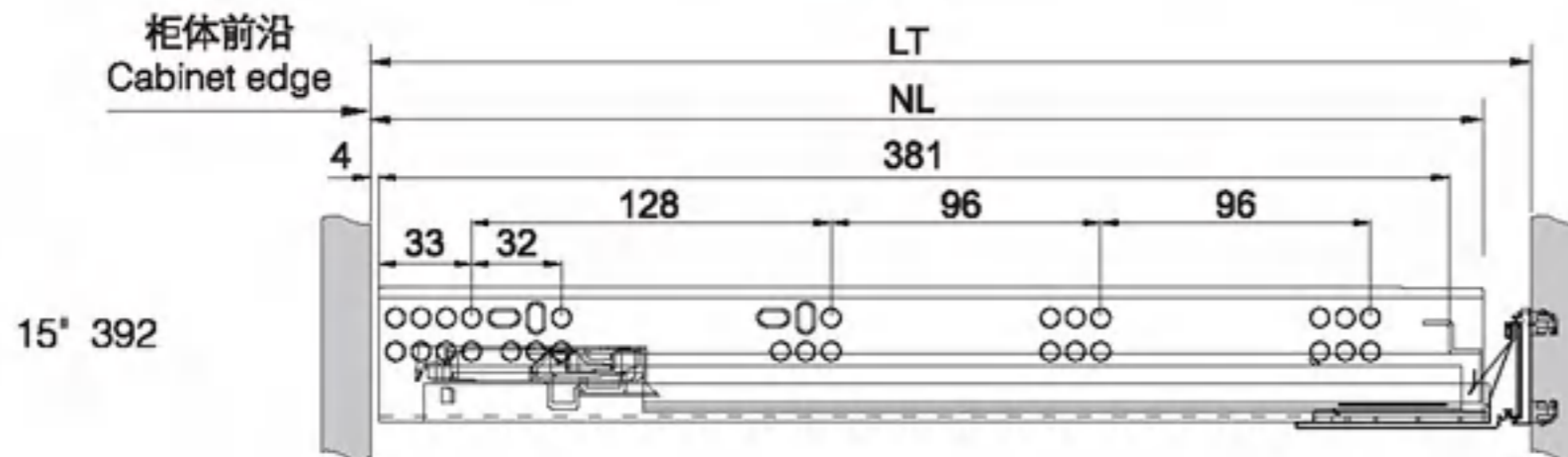
■ 产品实图:



■ 侧轨安装孔位置 Side rail mounting hole location

NL=导轨标称长度 LT=柜体内部深度  
NL=Nominal slide length LT=Cabinet inner depth

规格	NL	LT	L1
15"	392	415	21 23
18"	468	492	21 23
21"	543	570	21 23



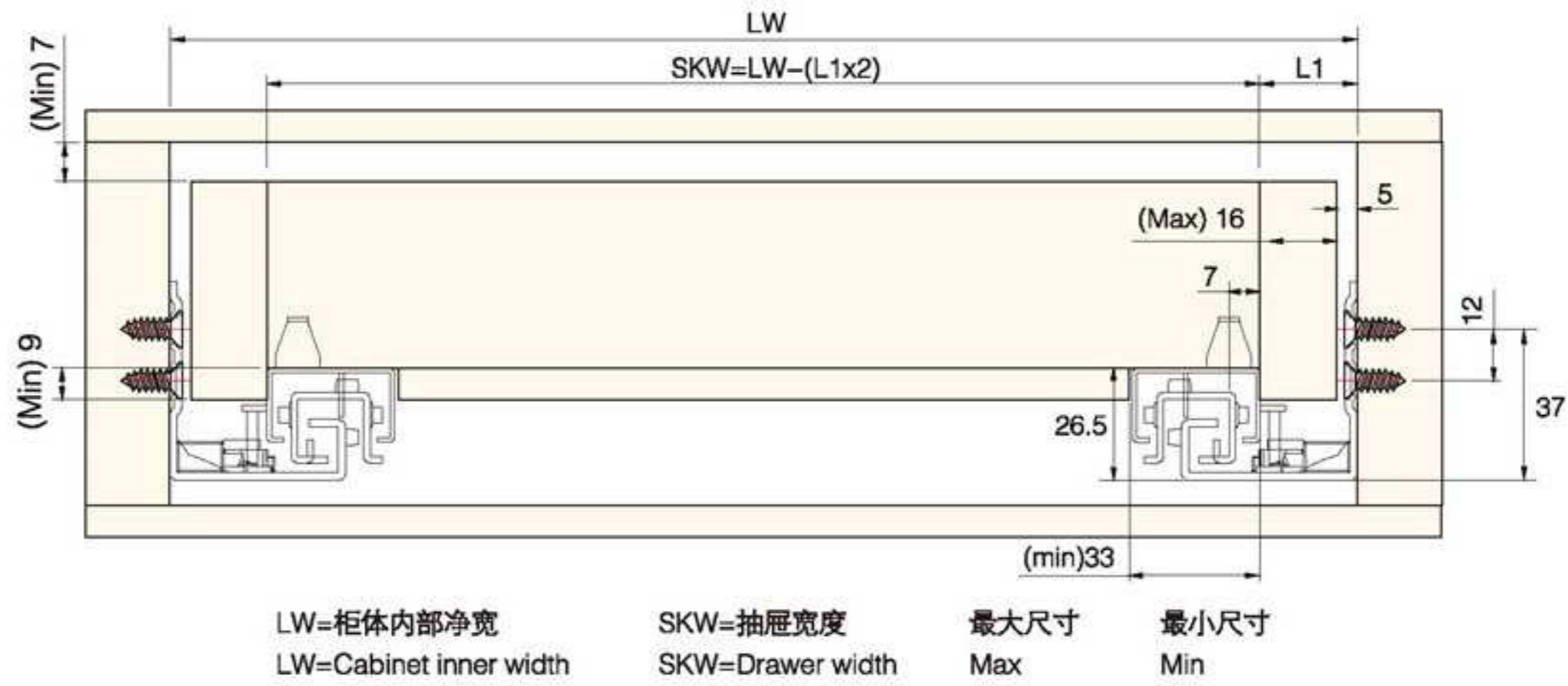
隐藏式全拉出缓冲导轨  
动态负载: 25Kg  
材质: 镀锌钢板  
材料厚度(上/中/下轨): 1.0x1.5x1.8mm  
带快速拆装扣手, 抽屉可快速安装和拆卸  
抽屉面板高度间隙可调1-3mm  
包装规格: 10套/箱

Three-fold soft close concealed slide  
Load rating: 25Kg  
Material: Galvanized sheet  
Thickness of Material (1.0/1.5/1.8mm)  
Tool-free quick installation  
Drawer height adjustable by 1-3mm  
Packing: 10 sets/CTN

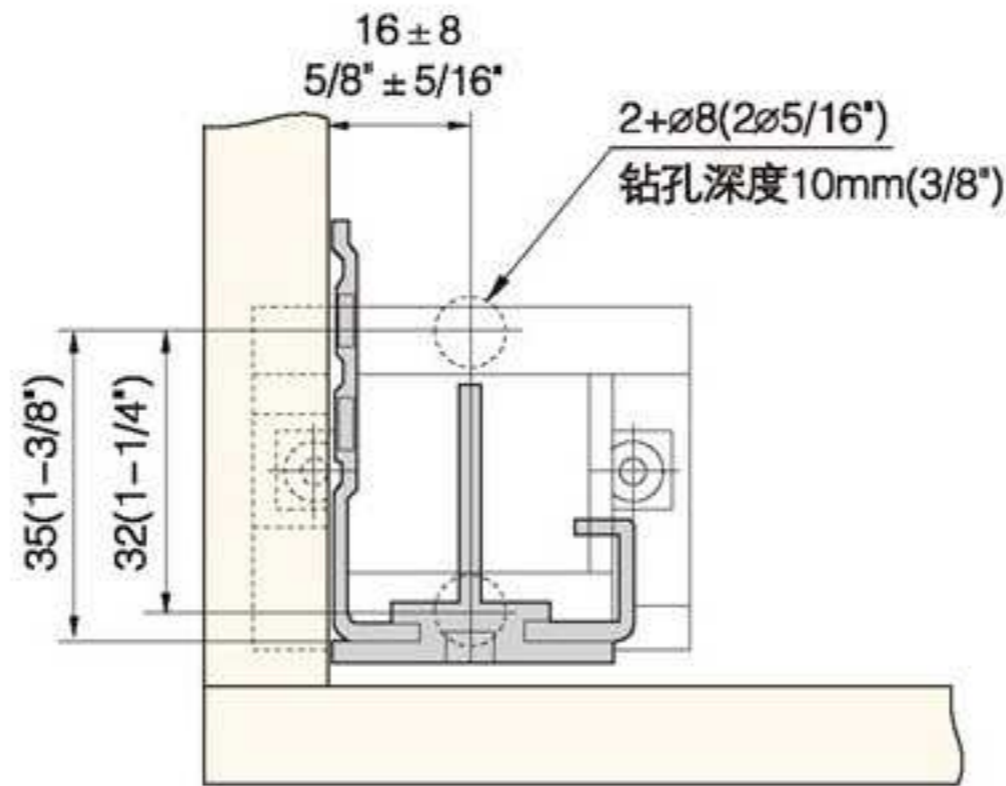
安装指南;柜体尺寸设计  
SD-A316B INSTALLTION CABINET SIZE DIMENSION



■ 宽度尺寸:

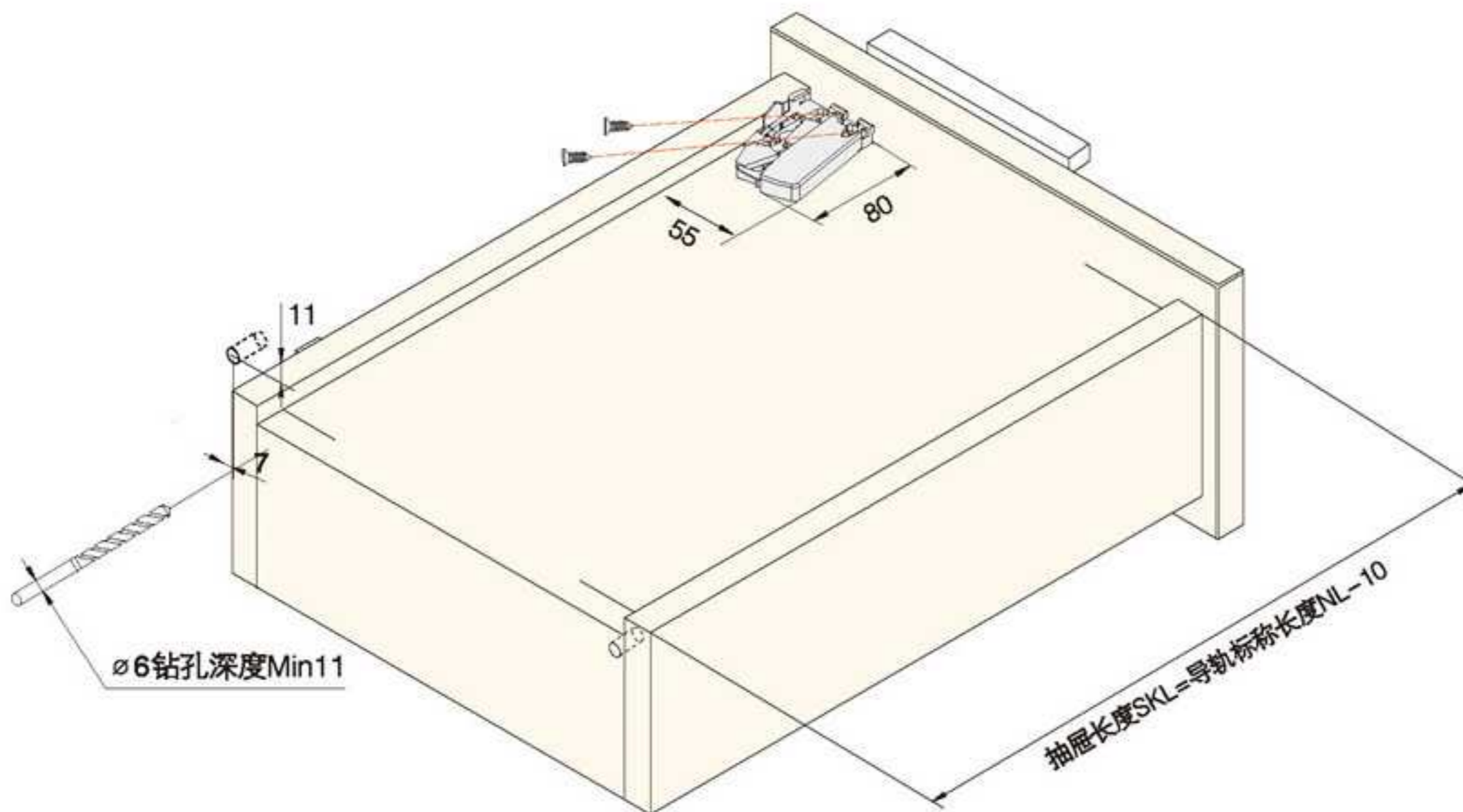


■ 背板安装孔尺寸:



塑料连接件安装孔尺寸

■ 底部加工:





# SD-B316B 三节全拉出反弹滑轨(带把手)

Three sections full pull out rebound slide track(with a handle)

锌合金把手, 带液压缓冲关闭功能, 适用16mm以下抽屉侧板(可做18mm侧板)  
SD-B316B CLIP ON THREE-FOLD SOFT CLOSE CONCEALED SLIDE

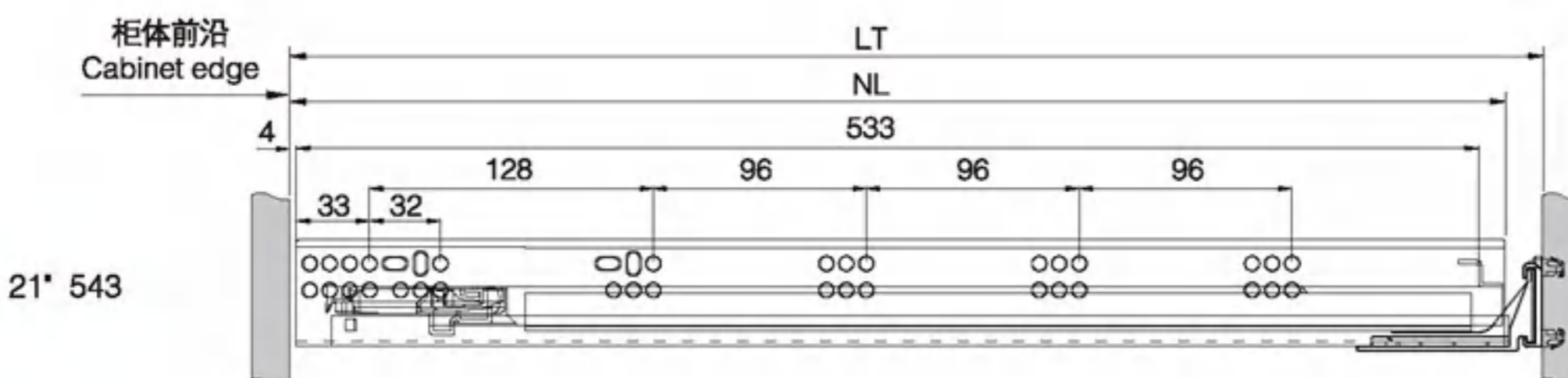
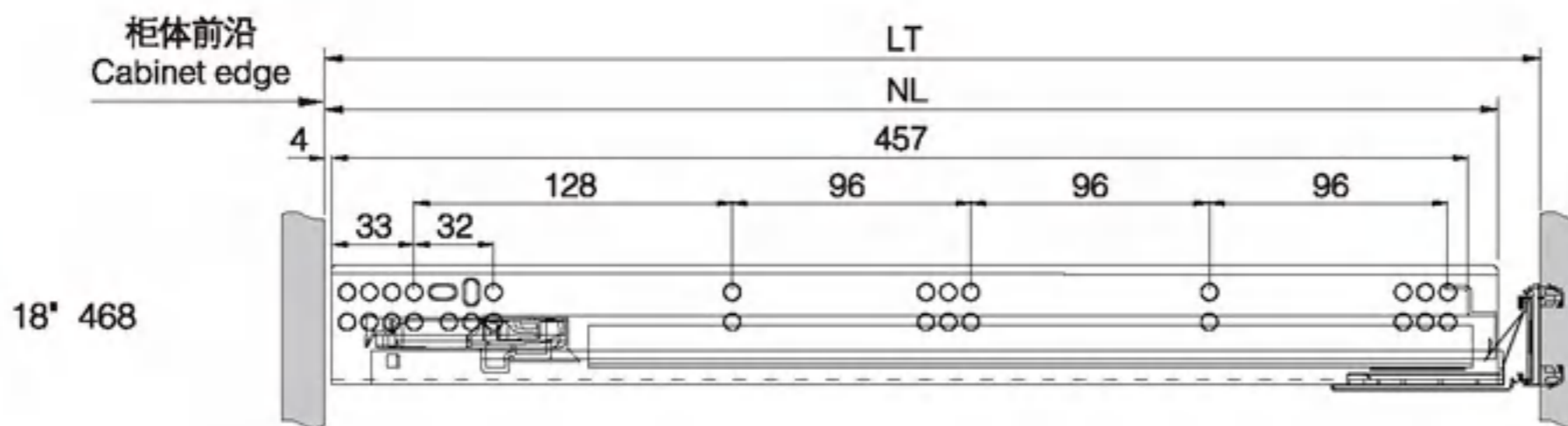
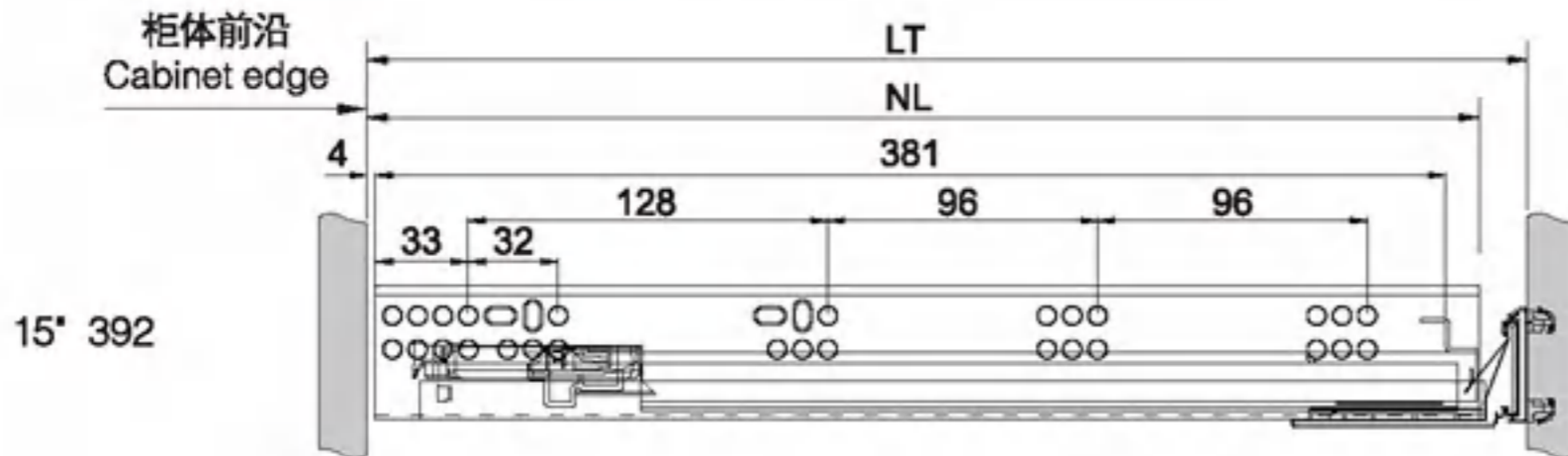
■ 产品实图:



■ 侧轨安装孔位置 Side rail mounting hole location

NL=导轨标称长度      LT=柜体内部深度  
NL=Nominal slide length      LT=Cabinet inner depth

规格	NL	LT	L1
15"	392	415	21 23
18"	468	492	21 23
21"	543	570	21 23



隐藏式全拉出缓冲导轨  
动态负载: 25Kg  
材质: 镀锌钢板  
材料厚度(上/中/下轨): 1.0x1.5x1.8mm  
带快速拆装扣手, 抽屉可快速安装和拆卸  
抽屉面板高度间隙可调1-3mm  
包装规格: 10套/箱

Three-fold soft close concealed slide  
Load rating: 25Kg  
Material: Galvanized sheet  
Thickness of Material (1.0/1.5/1.8mm)  
Tool-free quick installation  
Drawer height adjustable by 1-3mm  
Packing: 10 sets/CTN

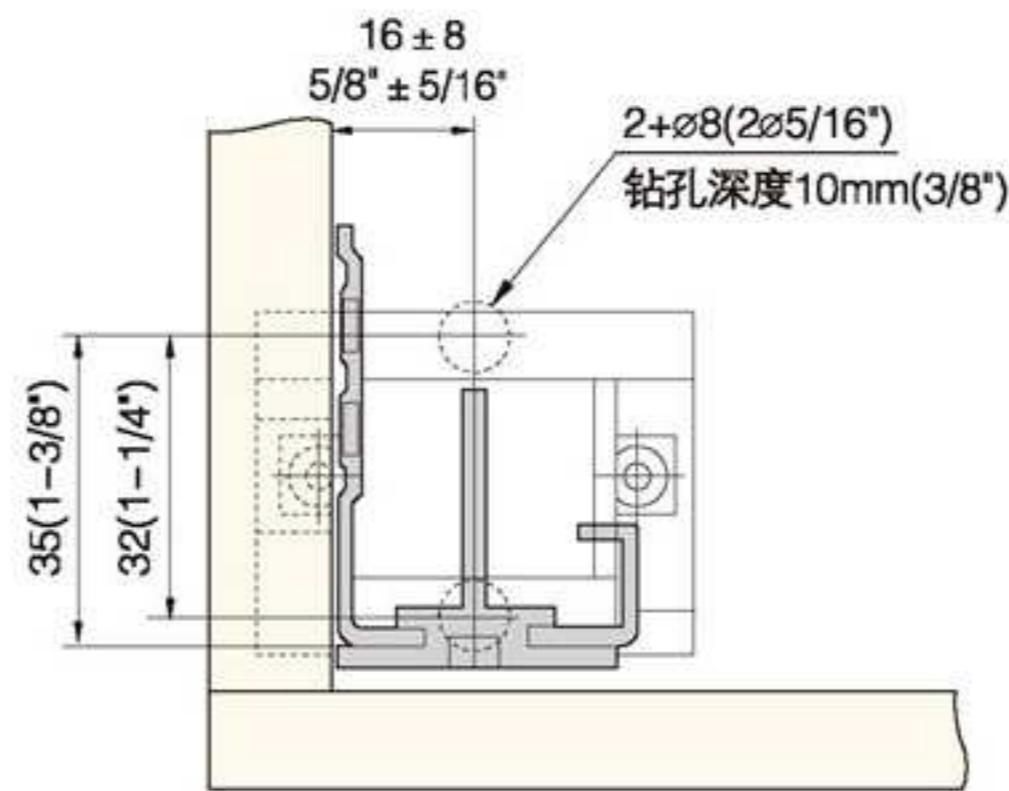
安装指南:柜体尺寸设计  
SD-B316B INSTALLTION CABINET SIZE DIMENSION



■ 宽度尺寸:

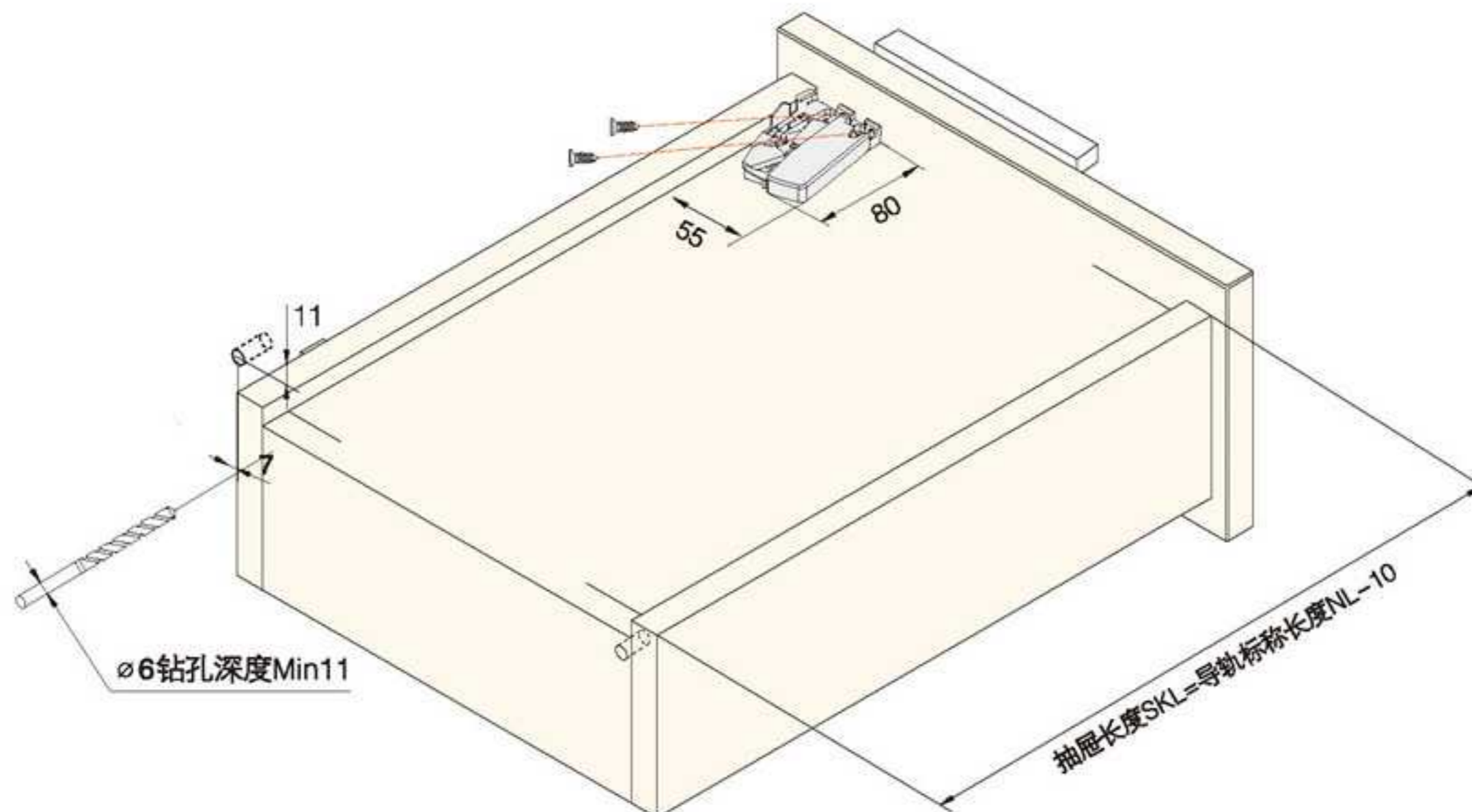


■ 背板安装孔尺寸:



塑料连接件安装孔尺寸

■ 底部加工:





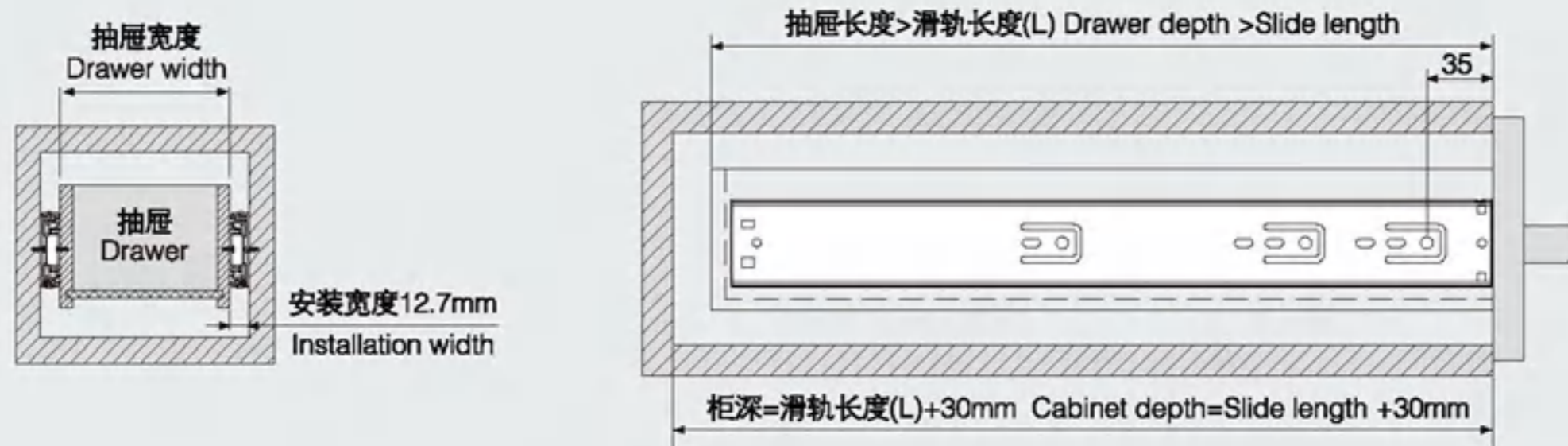
## SD-451215 三节钢珠缓冲滑轨

Three steel bead cushion slide track

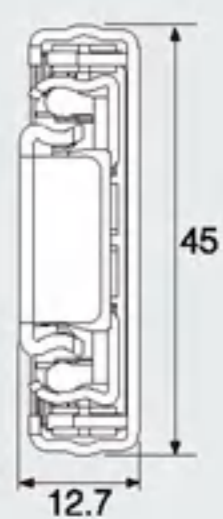


- 全拉出、可拆式三节缓冲钢珠滑轨
- 滑轨宽度:45mm
- 载重:20kg
- 表面处理:电泳、电镀
- 材质:冷轧钢板
- 材料厚度(内、中、外)轨:1.0x1.0x1.0mm  
1.0x1.0x1.2mm  
1.2x1.2x1.5mm
- Full-extension, soft-closing
- Slide width:45mm
- Dynamic load capacity:20kg
- Finish:electrophoresis, plating
- Material:cold rolled steel
- Thickness of material(I/M/O)part:1.0x1.0x1.0mm  
1.0x1.0x1.2mm  
1.2x1.2x1.5mm

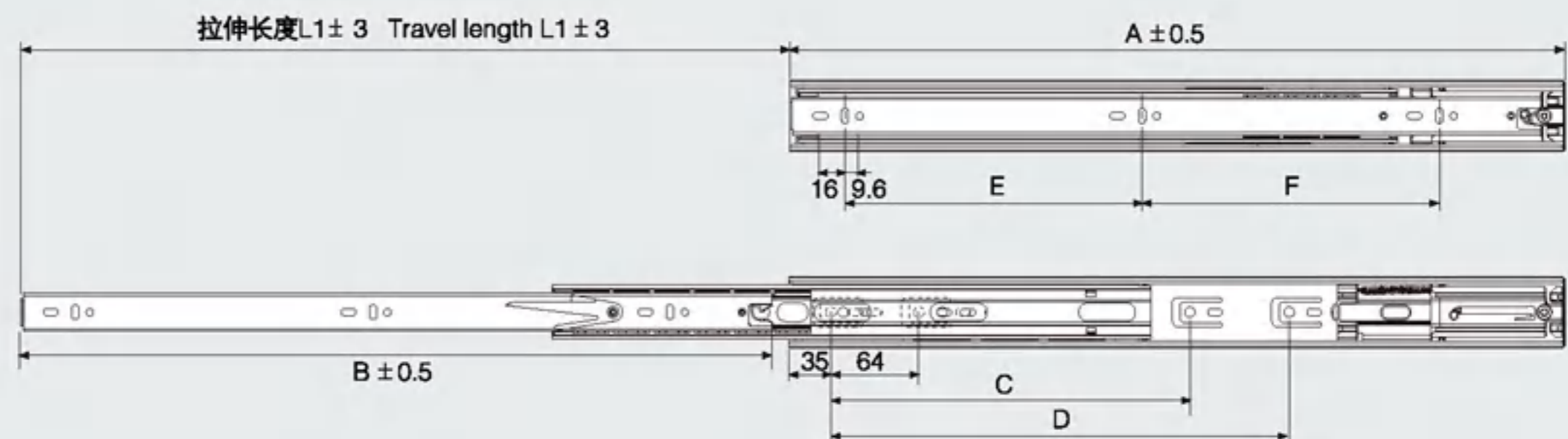
### 滑轨安装尺寸 Installation size



### 滑轨截面图 Profile



### 滑轨安装孔尺寸 Hole pattern



产品型号 Item No.	Length mm	A mm	B mm	C mm	D mm	E mm	F mm	L1 mm
SD-451215-300	300	300	289			96	123	297
SD-451215-350	350	350	339	128		128	128	350
SD-451215-400	400	400	389	192		128	192	400
SD-451215-450	450	450	439	224		160	192	450
SD-451215-500	500	500	489	224	288	192	192	500
SD-451215-550	550	550	539	224	320	224	224	550
SD-451215-600	600	600	589	224	384	192	288	600

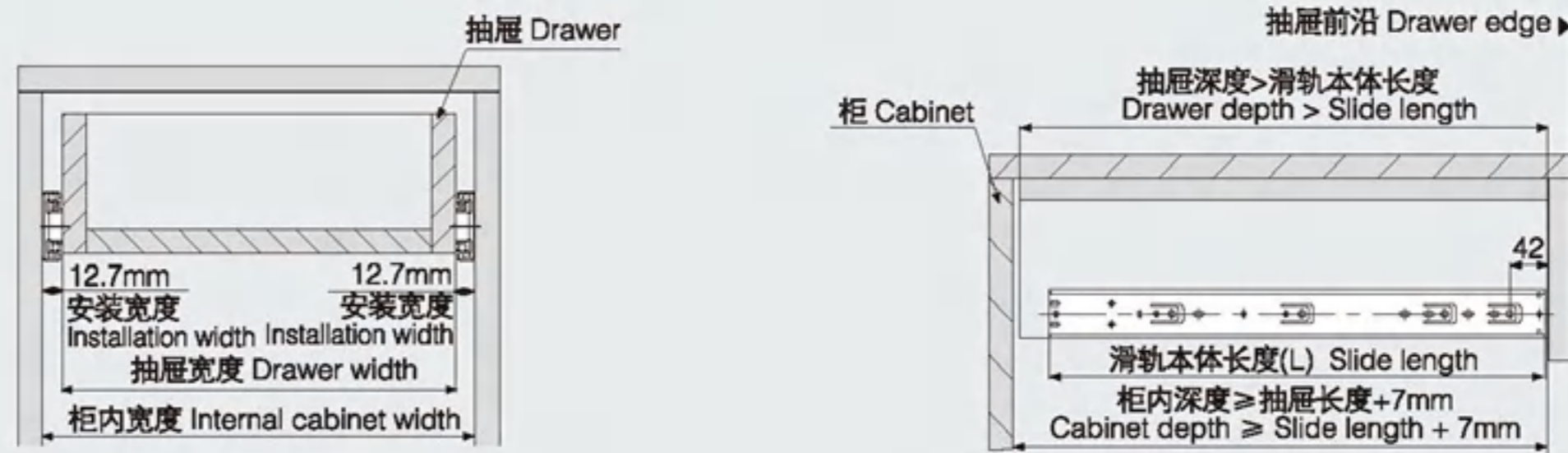
**SD-451215F 三节钢珠反弹滑轨**  
Three steel bead bounce slide track



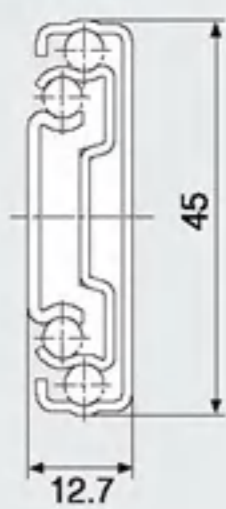
- 全拉出、可拆式反弹三节钢珠滑轨
- 滑轨宽度:45mm
- 载重:36kg
- 表面处理:电泳、电镀
- 材质:冷轧钢板
- 材料厚度(内、中、外)轨:1.5x1.2x1.2mm

- Three steel bead slide rails
- Slide width:45mm
- Dynamic load capacity:36kg
- Finish:electrophoresis,plating
- Material:cold rolled steel
- Thickness of material(I/M/O)part:1.5x1.2x1.2mm

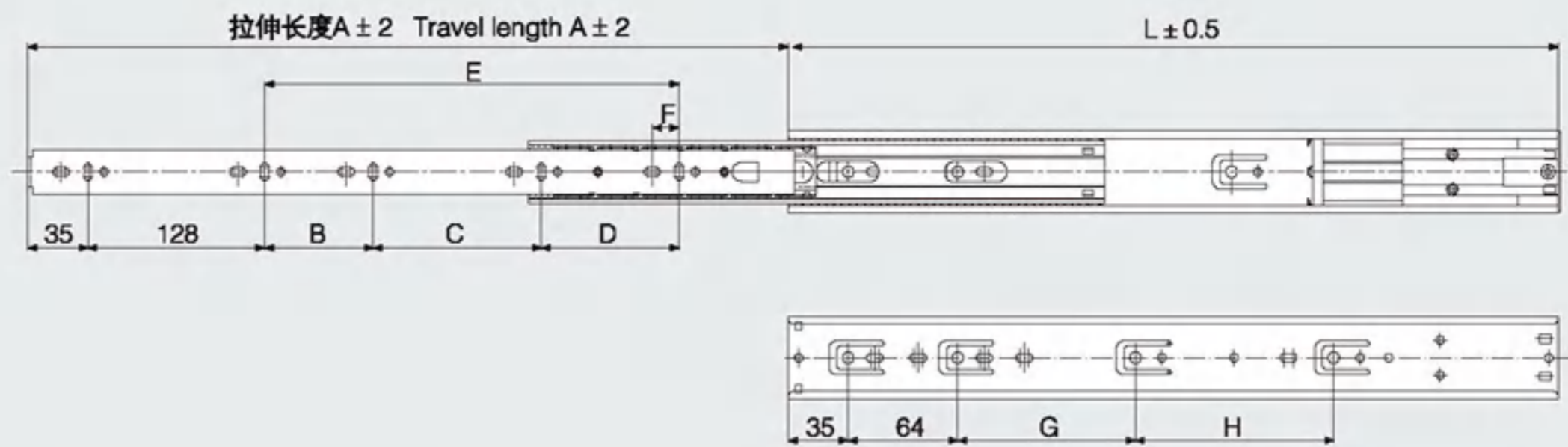
滑轨安装尺寸 Installation size



滑轨截面图 Profile



滑轨安装孔尺寸 Hole pattern



产品型号 Item No.	Length mm	A mm	B mm	C mm	D mm	E mm	F mm	L mm
SD-451215F-300	300	251						300
SD-451215F-350	350	351						350
SD-451215F-400	400	401				160		400
SD-451215F-450	450	451				192		450
SD-451215F-500	500	501	64	192				500
SD-451215F-550	550	551	64	192	54.6			550
SD-451215F-600	600	601	64	224	64		15.8	600



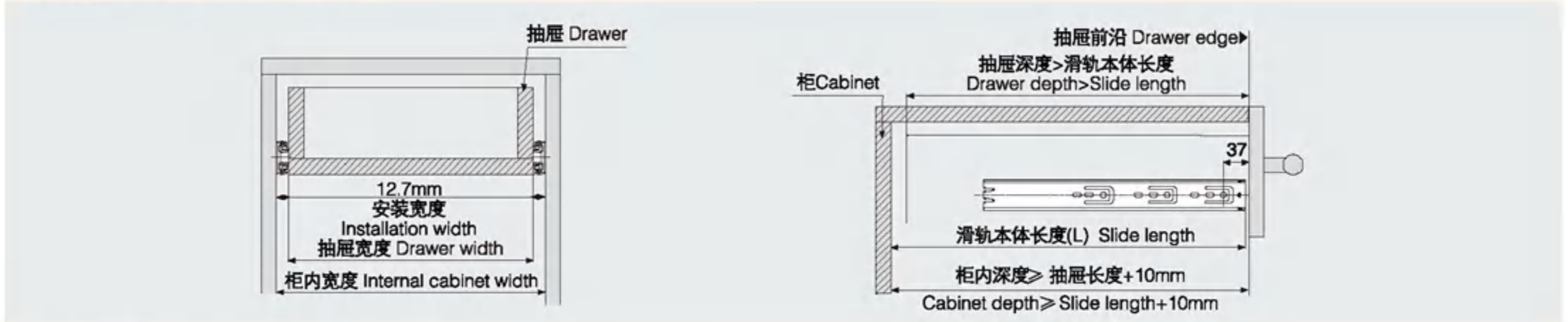
# SD-451012 三节钢珠滑轨

Three steel bead slide rails

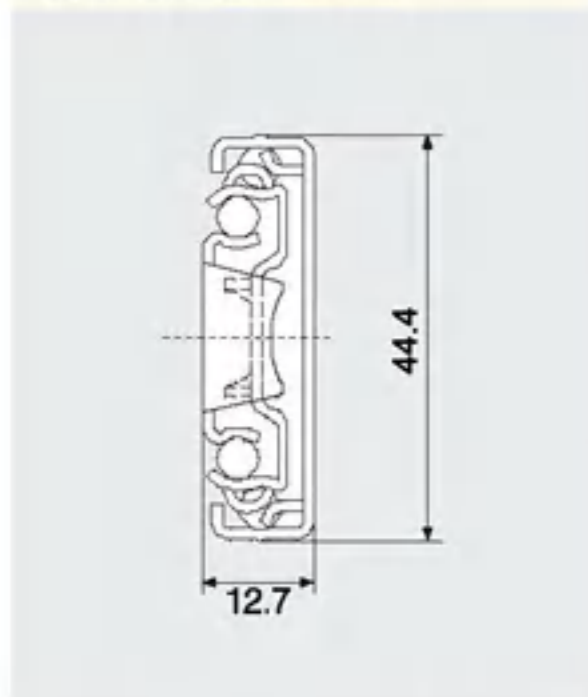


- 三节钢珠滑轨
- 滑轨宽度:45mm
- 载重:35kg
- 表面处理:电泳、电镀
- 材质:冷轧钢板
- 材料厚度(内、中、外)轨:1.0x1.0x1.0mm  
1.0x1.0x1.2mm  
1.2x1.2x1.5mm
- Three steel bead slide rails
- Slide width:45mm
- Dynamic load capacity:35kg
- Finish:electrophoresis,plating
- Material:cold rolled steel
- Thickness of material(I/M/O)part:1.0x1.0x1.0mm  
1.0x1.0x1.2mm  
1.2x1.2x1.5mm

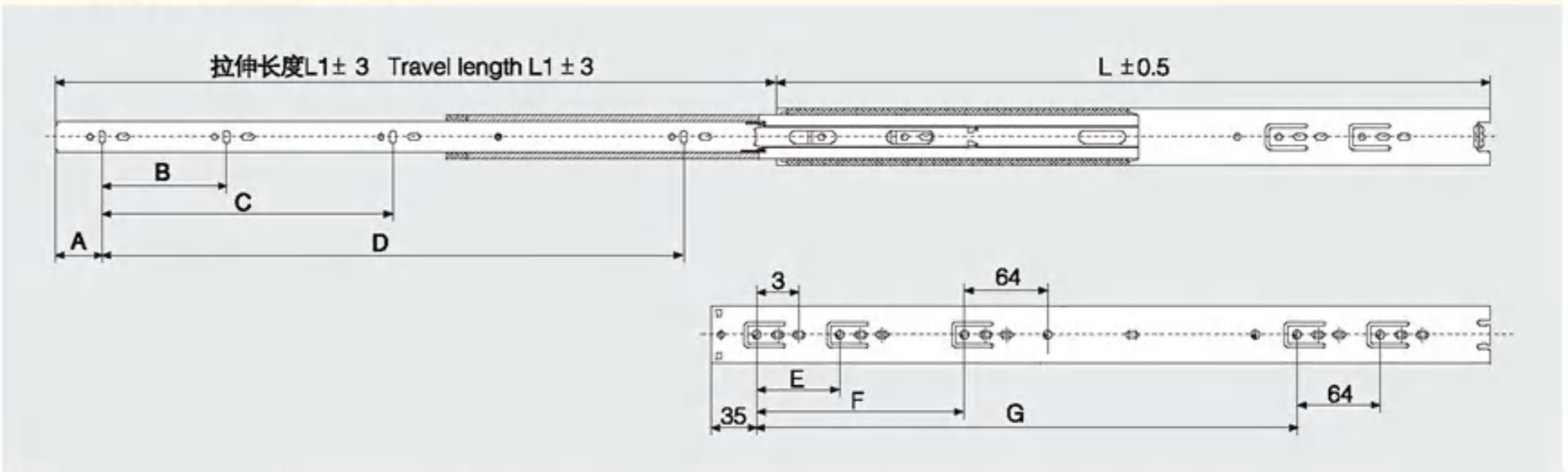
### 滑轨安装尺寸 Installation size



### 滑轨截面图 Profile



### 滑轨安装孔尺寸 Hole pattern



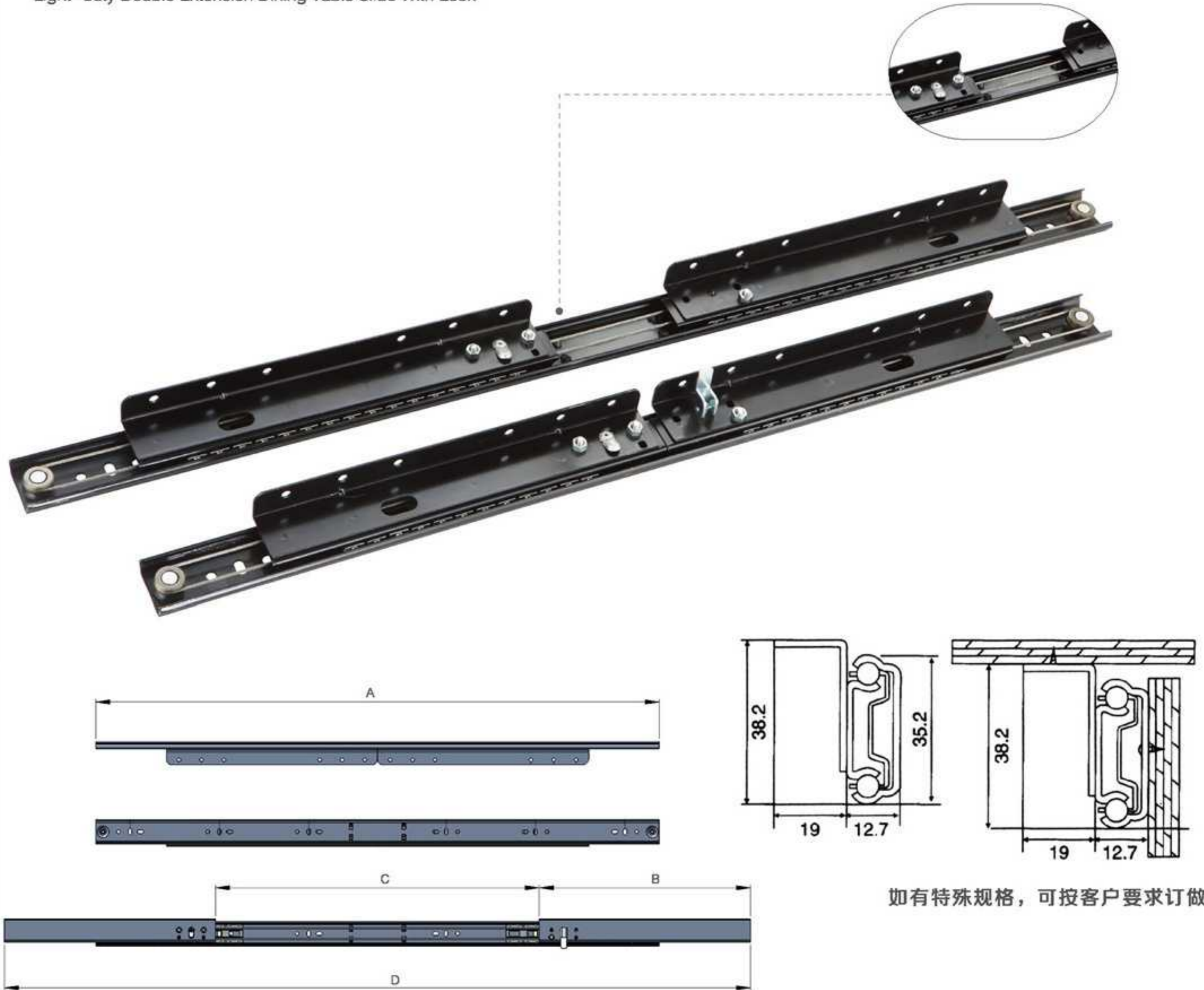
产品型号 Item No.	Length mm	A mm	B mm	C mm	D mm	E mm	F mm	G mm	L mm	L1 mm
SD-451012-250	250	36	169.4			64		140	250	242
SD-451012-300	300	36	96	224		64		190	300	303
SD-451012-350	350	36	128	256		64		192	350	388
SD-451012-400	400	36	128	320		64		224	400	403
SD-451012-450	450	36	160	352		64		288	450	483
SD-451012-500	500	36	192	416		64		320	500	505
SD-451012-550	550	36	224	448		64		352	550	552
SD-451012-600	600	36	192	512		64		416	600	602
SD-451012-650	650	36	192	416	576	64	270	494	650	684
SD-451012-700	700	36	192	448	608	64	320	544	700	702

### SD-A35/SD-A35S

轻型双拉无锁餐台轨 / 轻型双拉带锁餐台轨

Light-duty Double Extension Dining Table Slide Without Lock

Light-duty Double Extension Dining Table Slide With Lock



如有特殊规格, 可按客户要求订做

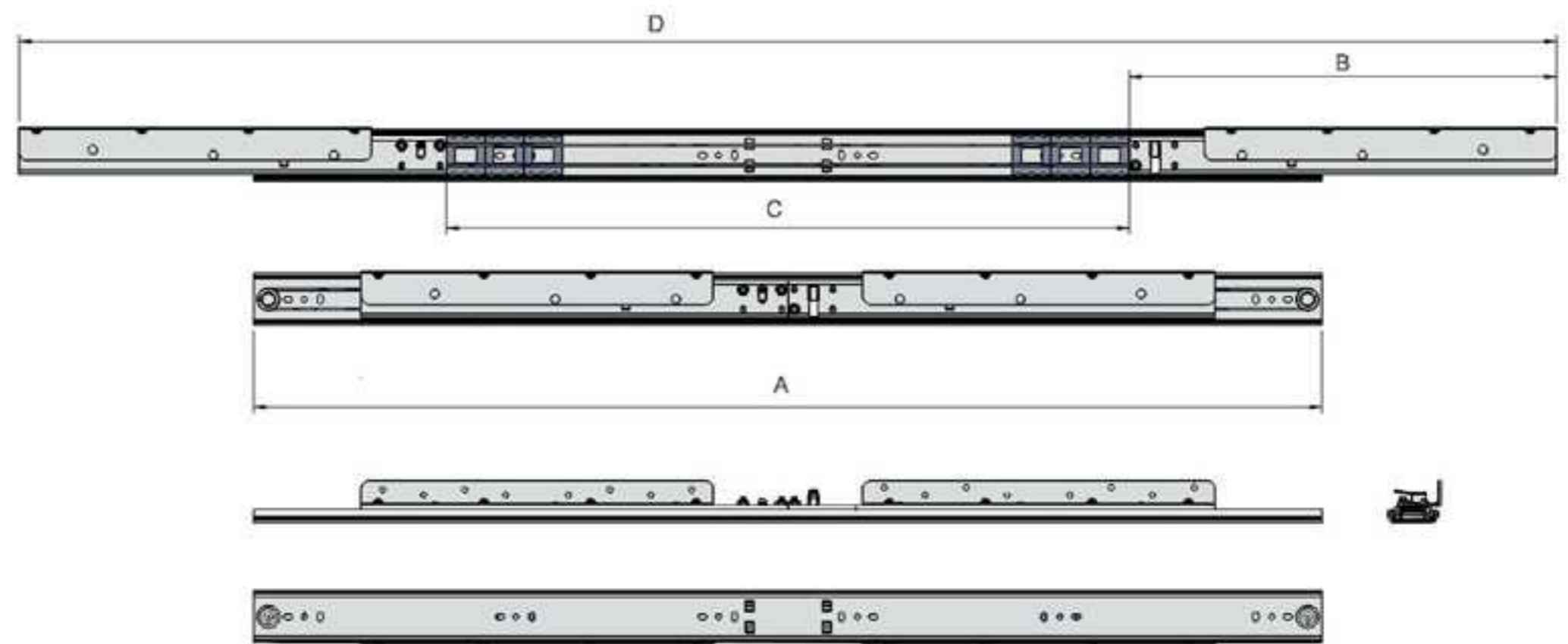
A 主轨长度(mm) A Track Length(mm)	B 副轨长度(mm) B Track Length(mm)	C 中间距离(mm) C Middle Distance(mm)	D 拉开总长度(mm) D Total Length(mm)
550	235	350	820
600	235	350	820
650	235	350	820
700	250	350	850
750	300	400	1000
800	300	450	1050
1000	400	640	1440

## SD-B48/SD-B48S

重型双拉无锁餐台轨 / 重型双拉带锁餐台轨

Heavy-duty Double Extension Dining Table Slide Without Lock

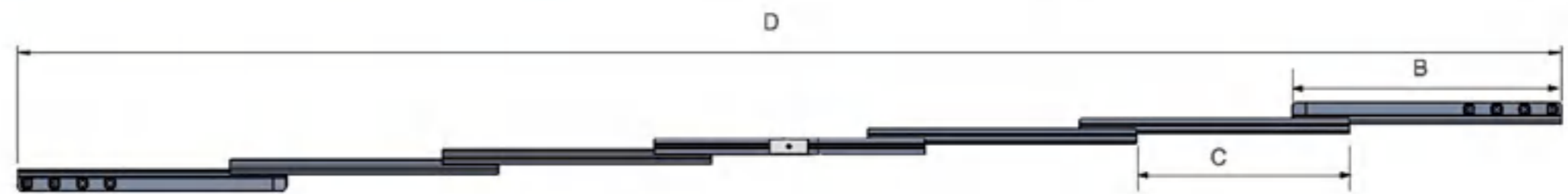
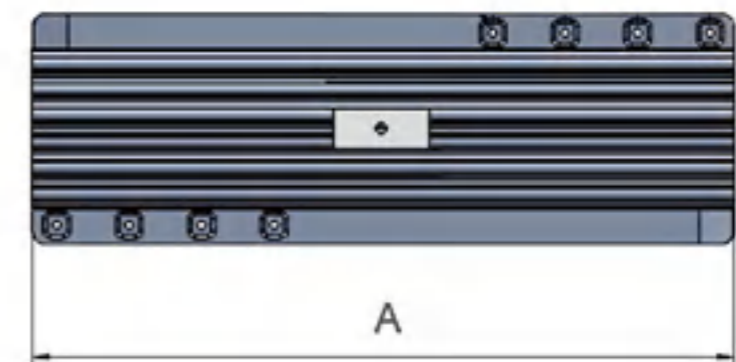
Heavy-duty Double Extension Dining Table Slide With Lock



A 主轨长度(mm) A Track Length(mm)	B 副轨长度(mm) B Track Length(mm)	C 中间距离(mm) C Middle Distance(mm)	D 拉开总长度(mm) D Total Length(mm)
800	300	440	1040
900	350	540	1240
1000	400	640	1440
1100	400	740	1540
1200	450	840	1740
1300	500	940	1940
1400	550	1040	2140
1500	550	1162	2340
1800	600	600	1800
2000	900	1260	3060

### SD-D435

重型多节消音餐台轨(尺寸可定制)  
Heavy Duty Multi Fold Table Slide  
(Anti Noise Function)



A 主轨长度(mm) A Track Length(mm)	B 副轨长度(mm) B Track Length(mm)	C 中间距离(mm) C Middle Distance(mm)	D 拉开总长度(mm) D Total Length(mm)	节数 section number
300	300	200	1500	7
343	343	235.7	2700	11
343	343	249.8	1842	7
400	400	275	2050	7
435	435	344	2500	7



## 餐台滑轨

Dining Table Slide Series

### SD-ZN350D

大杆液压单边升降餐台轨  
Hydraulic Liftable Function  
Table Slide



A 主轨长度(mm) A Track Length(mm)	B 副轨长度(mm) B Track Length(mm)	C 中间距离(mm) C Middle Distance(mm)	D 拉开总长度(mm) D Total Length(mm)	E(角码) E (Bracket Length)
350	260	266	526	400
350	260	266	526	450
350	290	236	526	450
420	290	295	585	390

### SD-ZN350X

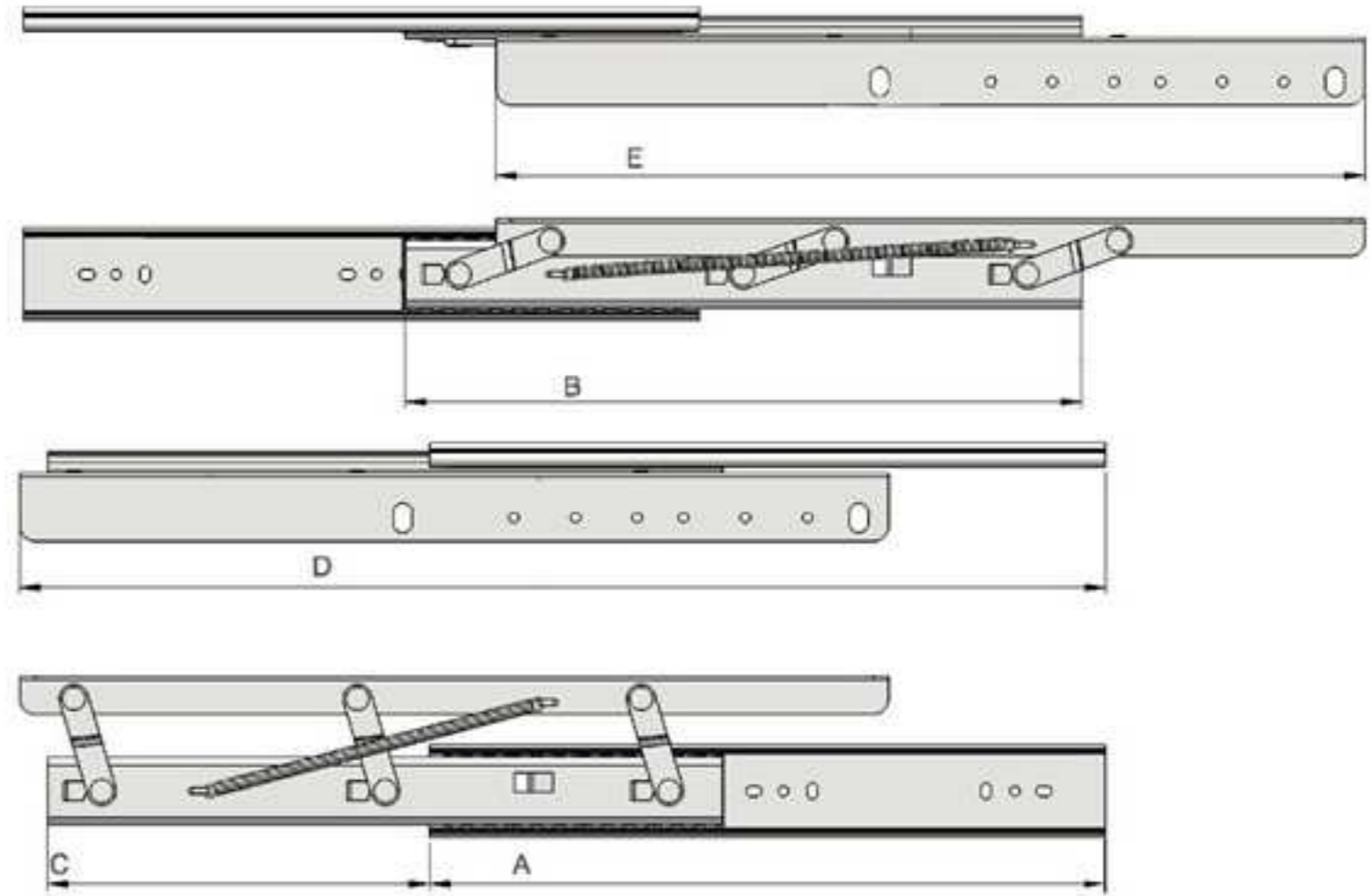
小杆液压单边升降餐台轨  
Hydraulic Liftable Function  
Table Slide



A 主轨长度(mm) A Track Length(mm)	B 副轨长度(mm) B Track Length(mm)	C 中间距离(mm) C Middle Distance(mm)	D 拉开总长度(mm) D Total Length(mm)	E(角码) E (Bracket Length)
350	350	198	548	400
350	350	245	645	450
350	350	345	845	450

**SD-PT35**

单边升降餐台轨  
Lift-up Function Table Slide



A 主轨长度(mm) A Track Length(mm)	B 副轨长度(mm) B Track Length(mm)	C 中间距离(mm) C Middle Distance(mm)	D 拉开总长度(mm) D Total Length(mm)	E(角码) E (Bracket Length)
350	350	198	548	450
420	260	245	645	390
420	260	345	845	390



## 餐台滑轨

Dining Table Slide Series

### SD-BC48

重型单拉餐台轨

Heavy-duty Single Extension Table Slide



A 主轨长度(mm) A Track Length(mm)	B 副轨长度(mm) B Track Length(mm)	C 中间距离(mm) C Middle Distance(mm)	D 拉开总长度(mm) D Total Length(mm)
350	350	200	550
500	500	300	800
900	900	530	1430
1000	1000	600	1600
1200	1000	400	1600

### SD-BC4835

重型茶几台单拉轨/左右拉

Heavy-duty Single Extension Tea Table Slide (B Slide Can Be Extended In Two Way)



A 主轨长度(mm) A Track Length(mm)	B 副轨长度(mm) B Track Length(mm)	C 中间距离(mm) C Middle Distance(mm)	D 拉开总长度(mm) D Total Length(mm)
350	350	150	500
500	500	300	800
800	800	500	1300
1000	1000	600	1600
1300	1300	800	2100

### ■ 描述 Description

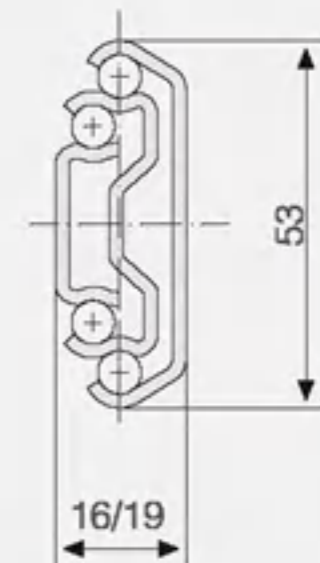
- |   |  |
|---|--|
| <ul style="list-style-type: none"> <li>▪ 长度:250mm-1200mm</li> <li>▪ 滑轨宽度:53mm</li> <li>▪ 滑轨厚度:16/19mm</li> <li>▪ 动态负载:90kg/100kg</li> <li>▪ 安装形式:抽屉侧面</li> <li>▪ 表面处理:电泳黑、电镀锌</li> <li>▪ 材质:冷轧钢板</li> <li>▪ 材料厚度:2.0x1.8x1.8mm/2.0x2.0x2.2mm</li> <li>▪ 适用范围: 银行ATM机、汽车工具箱等</li> <li>▪ 包装规格: 10套/箱</li> </ul> | <ul style="list-style-type: none"> <li>▪ Length: 250mm-1200mm</li> <li>▪ Slide width: 53mm</li> <li>▪ Slide thickness: 16/19mm</li> <li>▪ Maximum load: 90kg/100kg</li> <li>▪ The installed forms: side mount</li> <li>▪ Surface treatment: Zinc-Plated or Black-Electrophoresis</li> <li>▪ Material: cold-rolled steel</li> <li>▪ Material thickness: 2.0x1.8x1.8mm/2.0x2.0x2.2mm</li> <li>▪ Apply for: ATM /toolbox of the car, etc.</li> <li>▪ Packing:10 sets/ctn</li> </ul> |
|---|--|

### 产品 Product



### ➤ 适用范围 Application range

适用于橱柜、储物柜、家具等。Applicable to the cabinet /storage and other furniture, ect.





## SD-760AS 重型自锁滑轨

Heavy self-locking slide

### ■ 描述 Description

- 长度: 400mm-1500mm
- 滑轨宽度: 76mm
- 滑轨厚度: 19.5mm
- 动态负载: 225kg
- 安装形式: 抽屉侧面
- 表面处理: 电泳黑、电镀锌
- 材质: 冷轧钢板
- 材料厚度: 2.5x2.5x2.5mm
- 适用范围: 银行ATM机、汽车工具箱等
- 包装规格: 3套/箱

- Length: 400mm-1500mm
- Slide width: 76mm
- Slide thickness: 19.5mm
- Maximum load: 225kg
- The installed forms: side mount
- Surface treatment: Zinc-Plated or Black-Electrophoresis
- Material: cold-rolled steel
- Material thickness: 2.5x2.5x2.5mm
- Apply for: ATM /toolbox of the car, etc.
- Packing: 3 sets/ctn

### ■ 产品 Product



### ➤ 适用范围 Application range

适用于银行ATM机、汽车工具箱等。  
Applicable to ATM /car toolbox, ect.



## 盛迪铂生抽屉

纤薄坚韧  
融合功能主义与极简艺术

### Drawer Organizer

Slim and tough, merging functionalism  
with minimalist art.



## 轻压反弹 一触即开

采用反弹技术, 轻轻按压即可开门  
免装拉手, 拒绝繁“锁”

Lightly press to rebound  
open with a single touch.

Adopts rebound technology.  
Gently press to open, no handle needed.  
Say goodbye to complicated locks.



## 直角内边设计 兼具功能与美学

简洁的直线造型, 方正大气  
收纳空间更大, 美观实用

Right-angle inner edge design combines  
functionality and aesthetics.

Simple linear design, square and elegant.  
Larger storage space, both beautiful and practical.



## 按压拆卸 轻松装配

采用按压式巧妙装置  
实现一键拆装, 一人搞定

**Press to remove easy to assemble**  
Equipped with a clever press-type device for  
one-button assembly and disassembly,  
easy to handle alone.



# 创新阻尼技术 开合柔缓, 静音安全

集成阻尼系统, 防止大力撞击  
缓缓闭合, 更安全、更静音

## Drawer Organizer

Innovative damping technology ensures smooth,  
quiet and safe opening and closing.



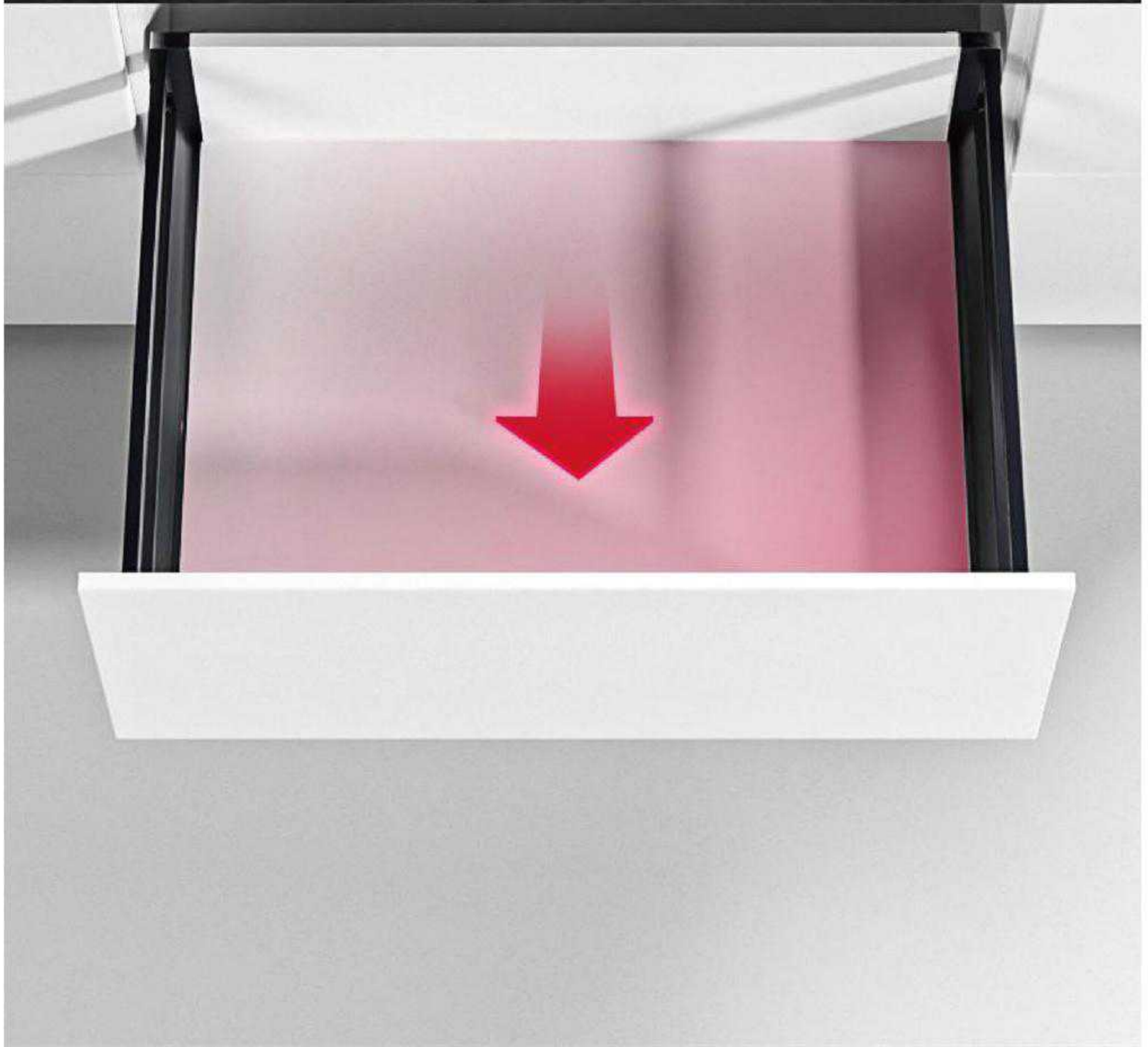


## 快速存取物品

抽屉全拉出, 视野无遮挡  
存取物品再也不用胡乱摸索

### Quick access to items

Full extension drawer, unobstructed view.  
No more fumbling around when accessing items.



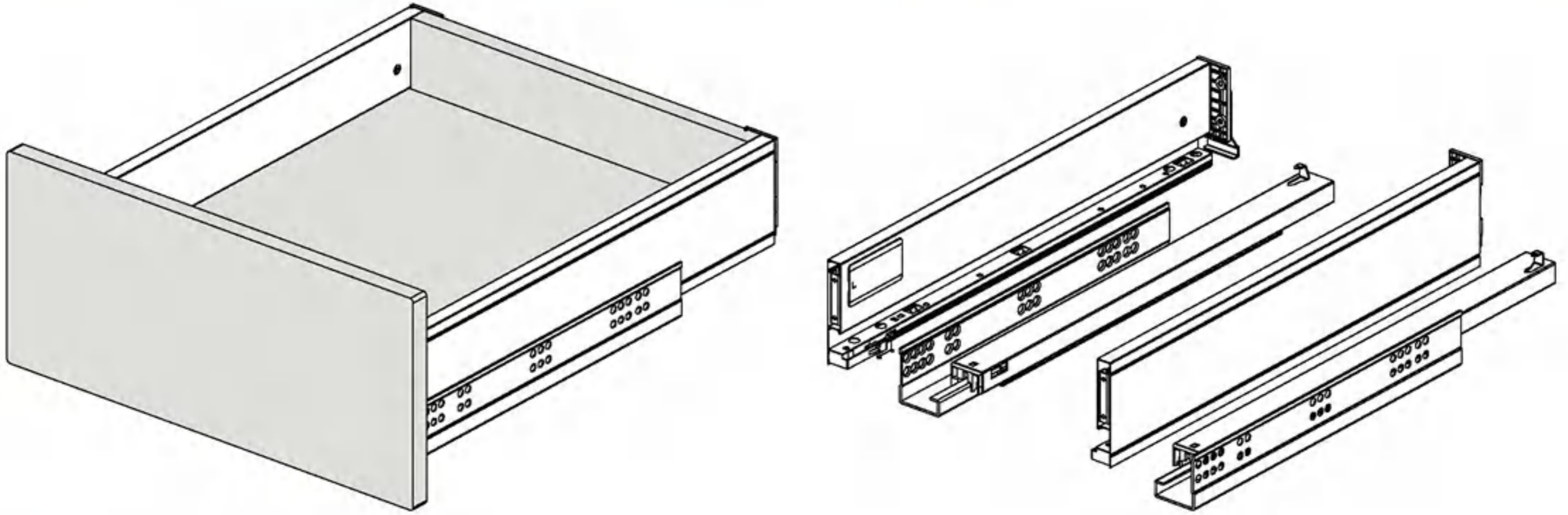
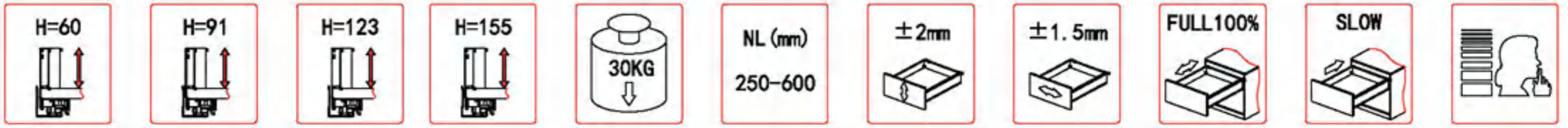
# HARDWARE

Professional Furniture

## 家具家居骑马抽

Furniture home riding

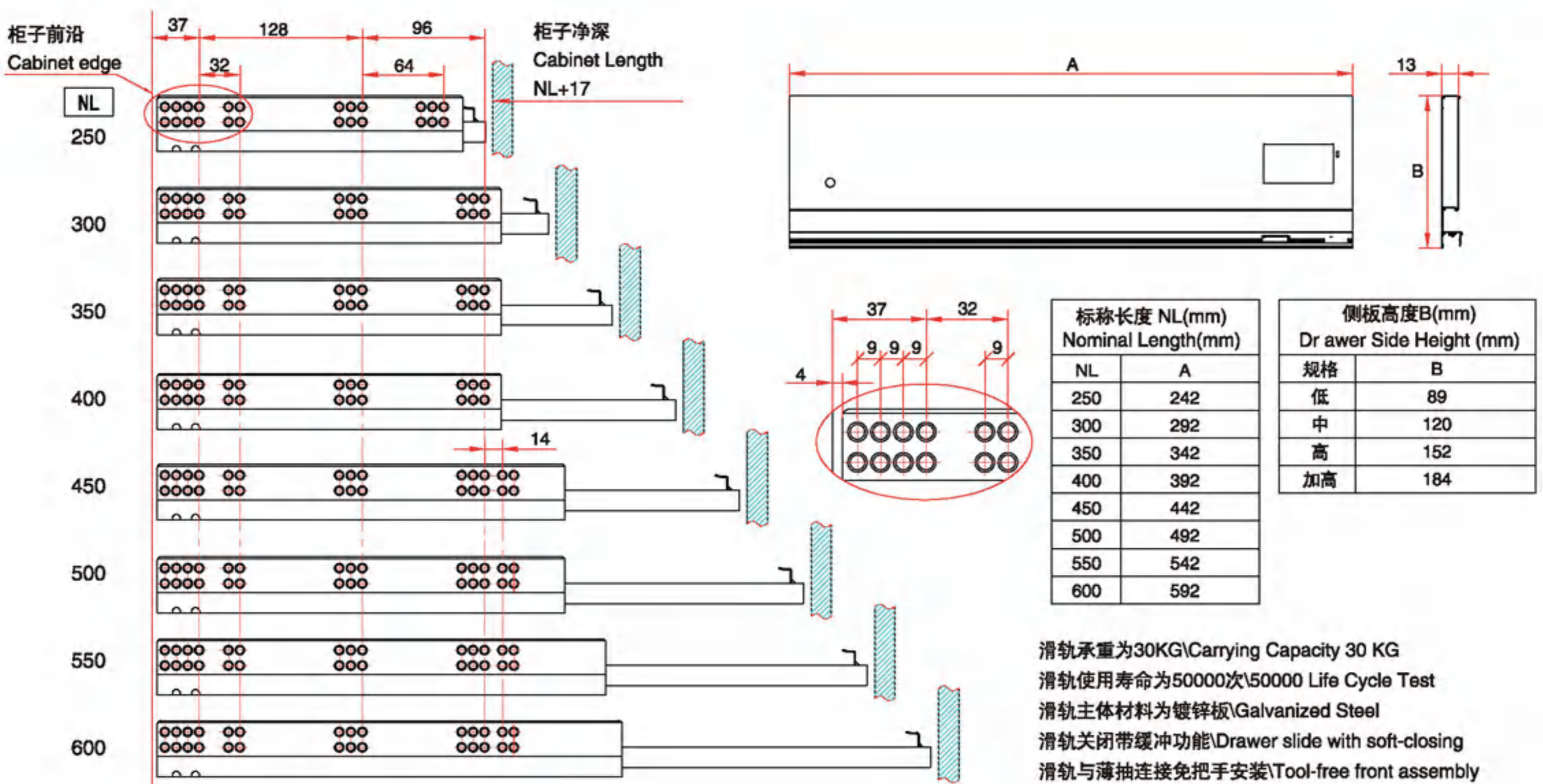
### 产品主要参数 Product Parameters



### 产品包装 Package



### 滑轨安装孔位置(mm) Screw Position(mm)





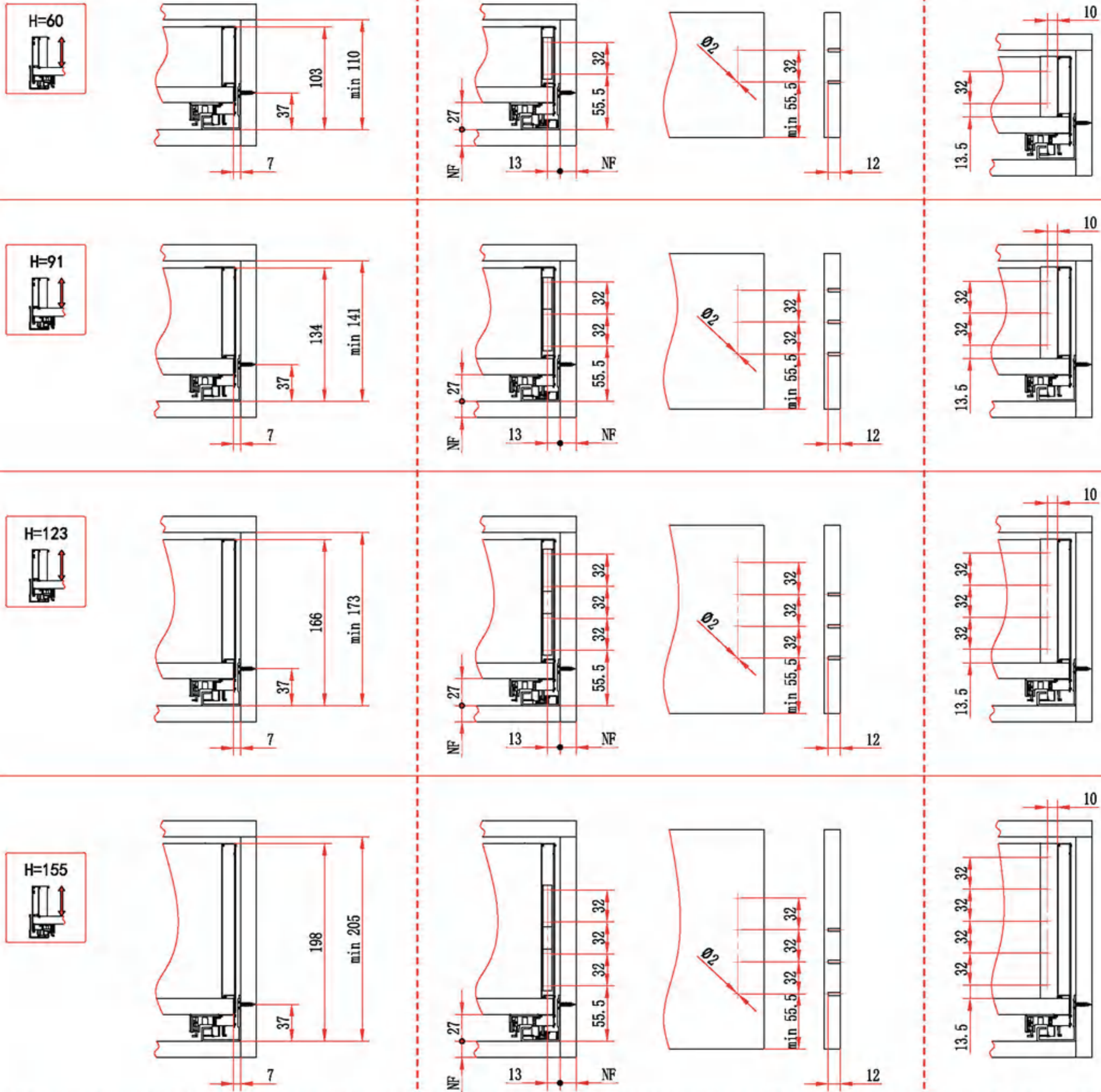
家具家居骑马抽  
Furniture home riding

■ 柜体安装要求 Installation space requirement

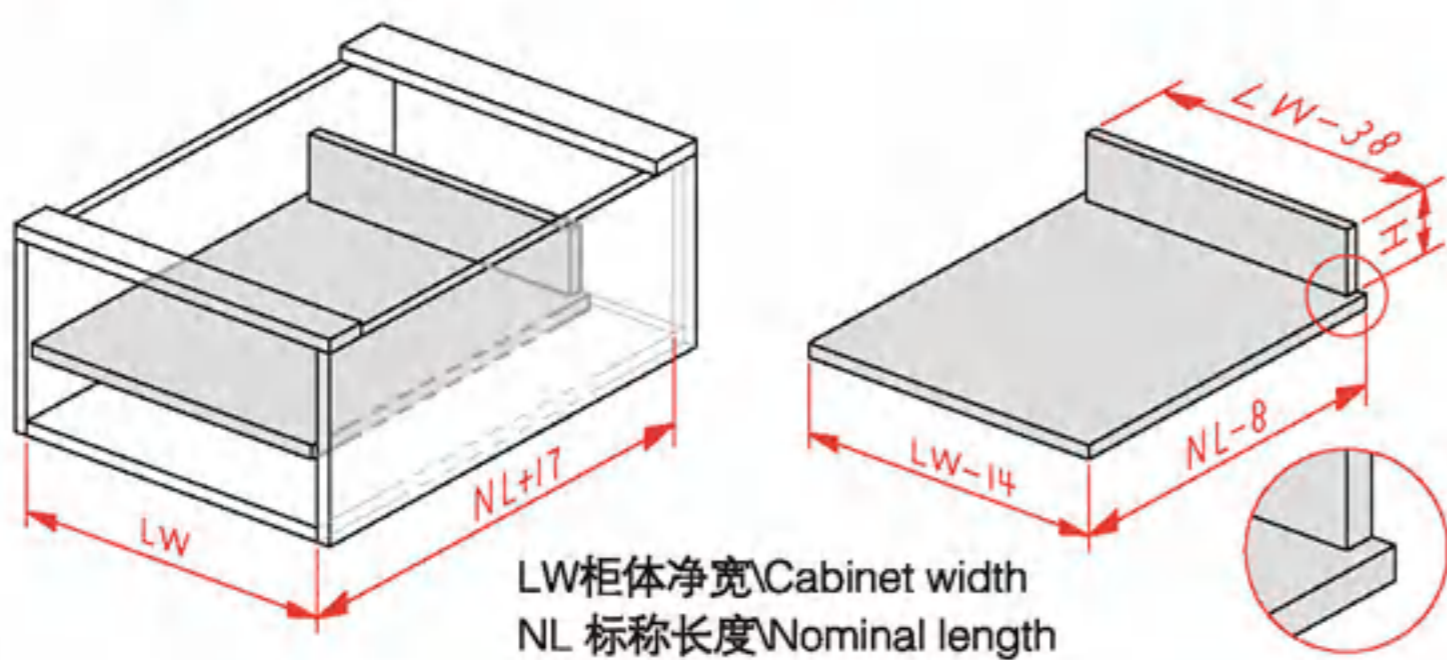
柜体内部的空间要求  
Space requirement in cabinet  
\*若钻孔先于柜体安装, 请增加1mm  
+1mm if cabinet profile is installed before the cabinet is assembled

面板螺丝钻孔尺寸  
Installation dimensions for front screw-on  
\*\*包括2mm倾斜度调节  
Included 2 mm tilt adjustment

背板螺丝钻孔尺寸  
Installation dimensions-back  
建议使用04X15沉头螺丝  
4\*15 fixing screw is recommended

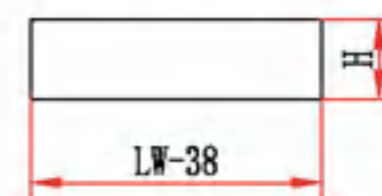
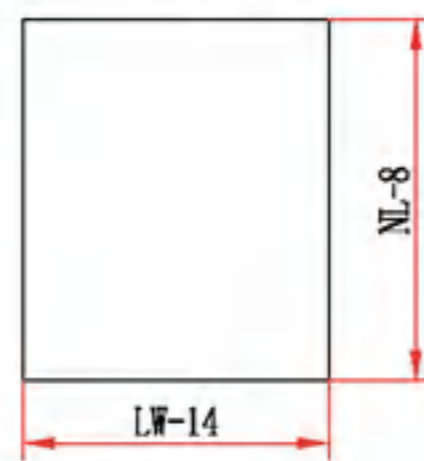


■ 裁切尺寸(用于16mm木板) Cutting dimension-16 mm chipboard



底板裁切尺寸  
Base board

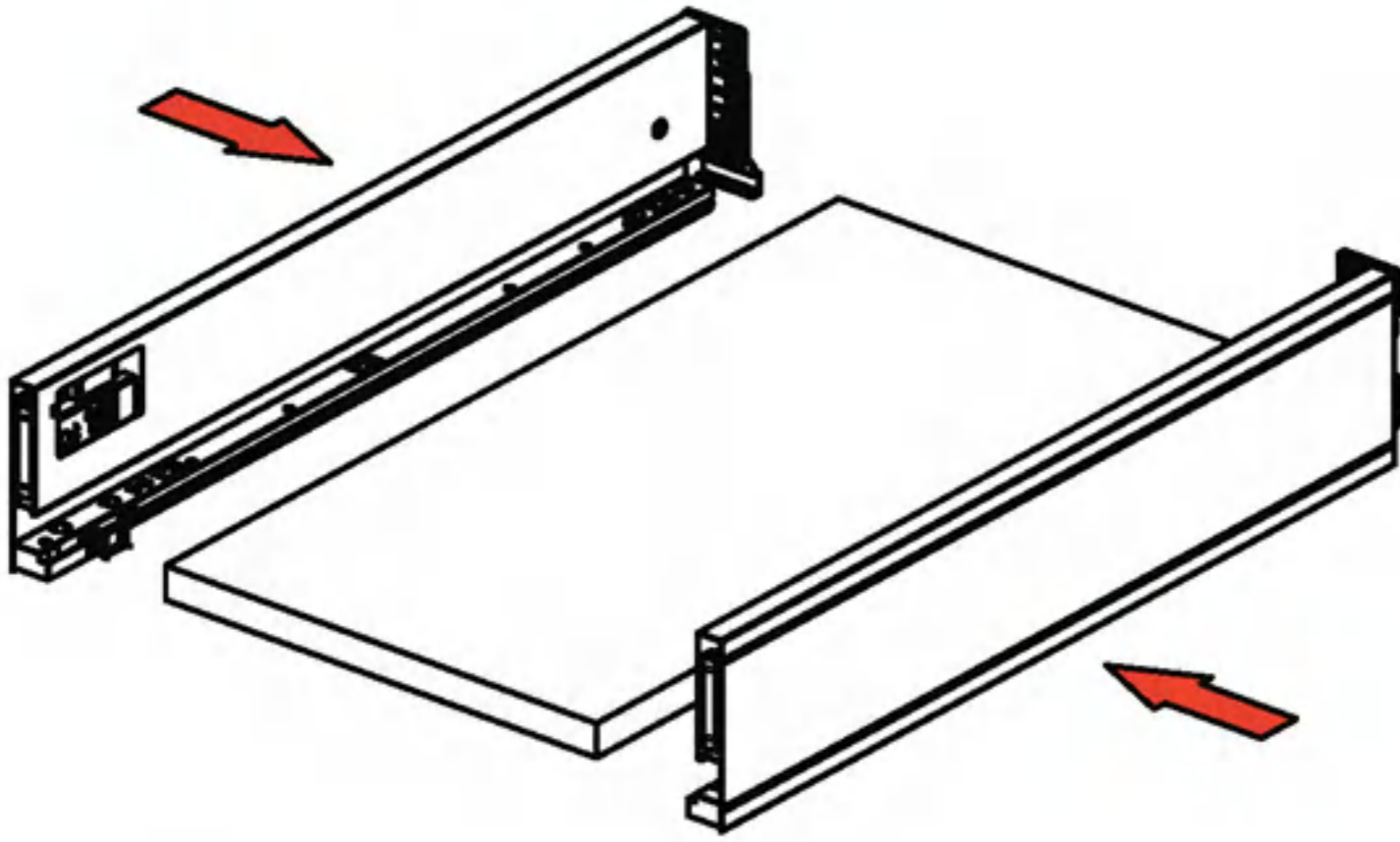
背板裁切尺寸  
Back board



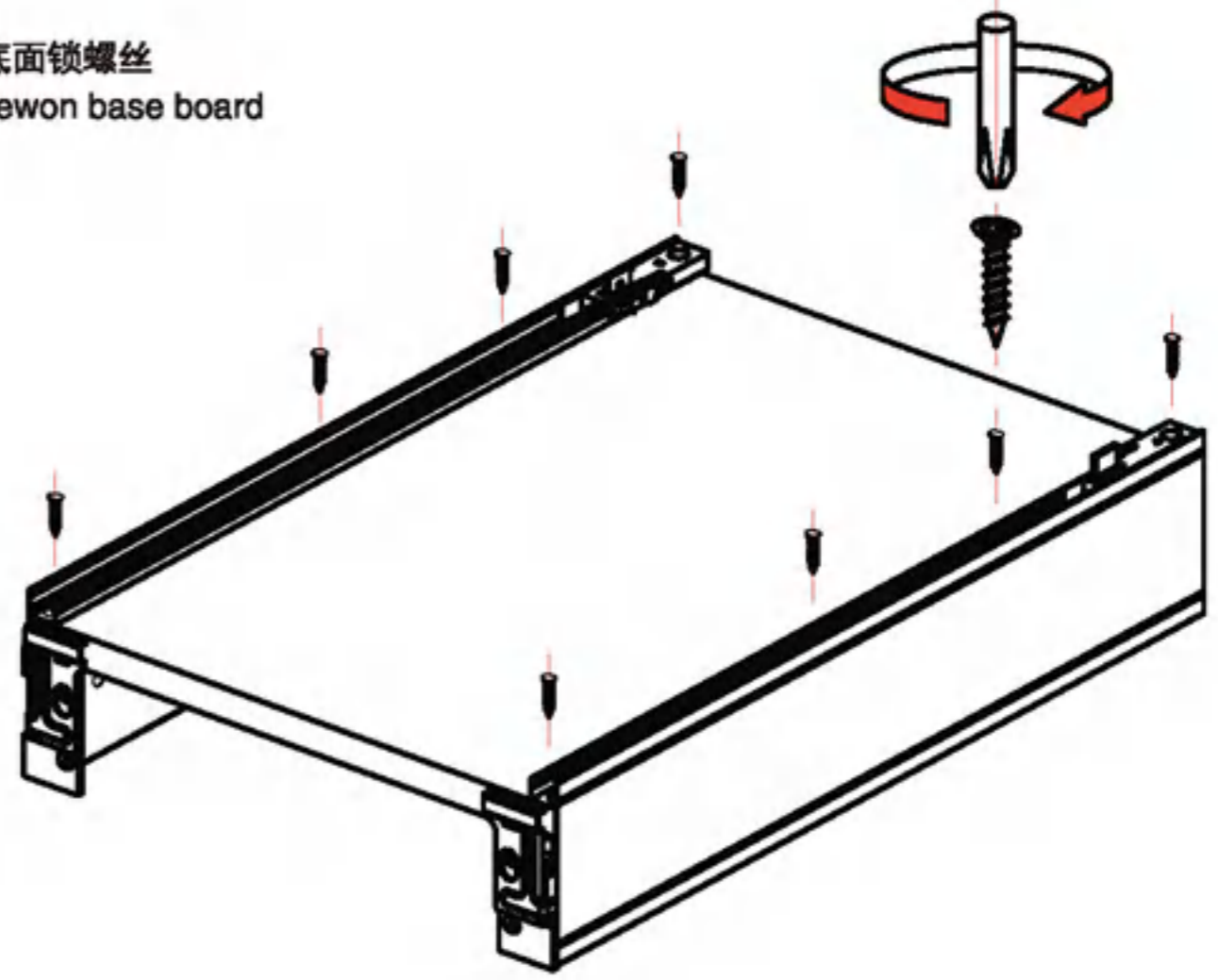
背板高度H (mm) Back board height (mm)	
规格	H
低	60
中	91
高	123
加高	155

■ 抽屉安装和调节 Assembly and Adjustment

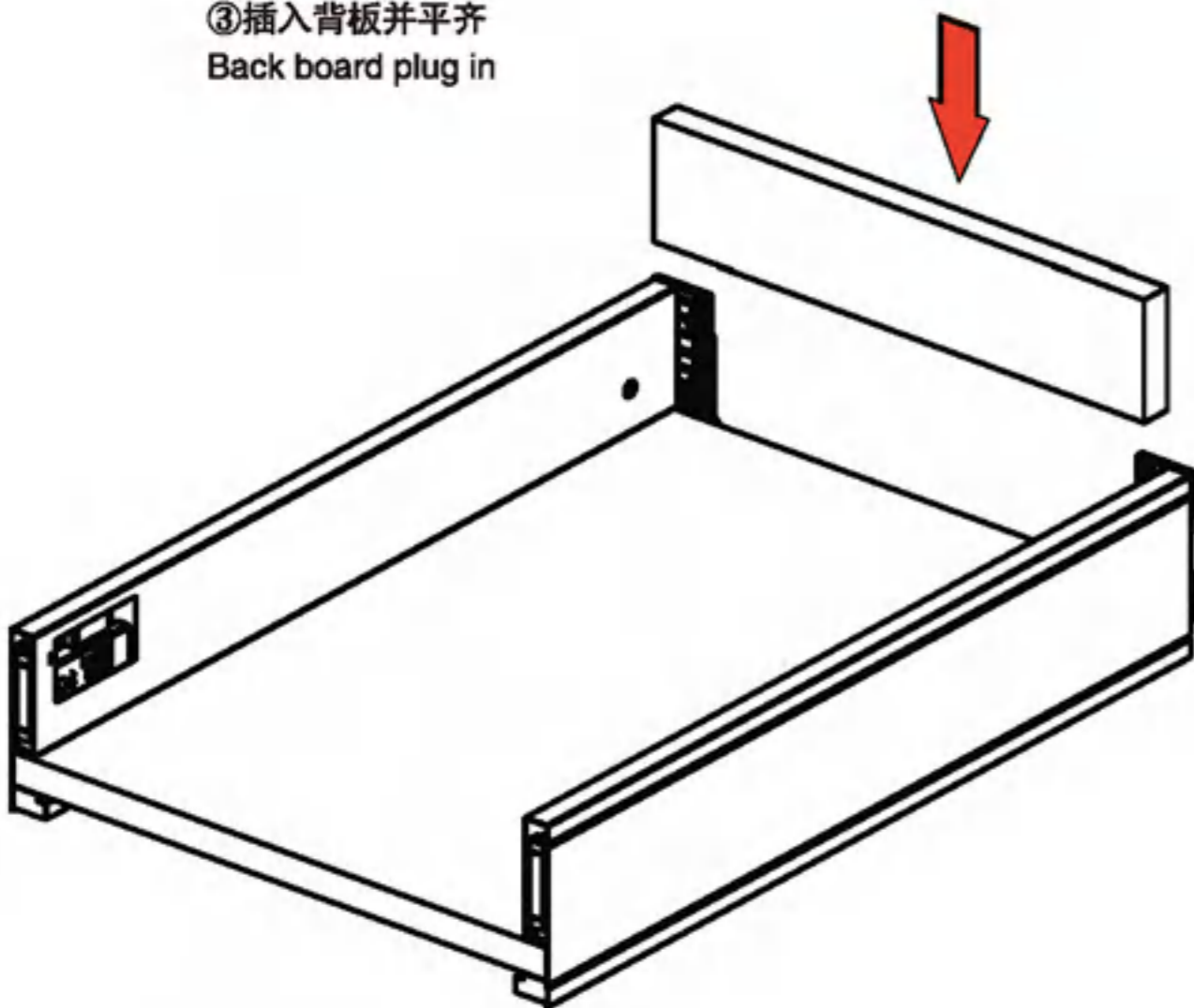
① 薄帮卡入底板并平齐  
Base board attached between drawer sides



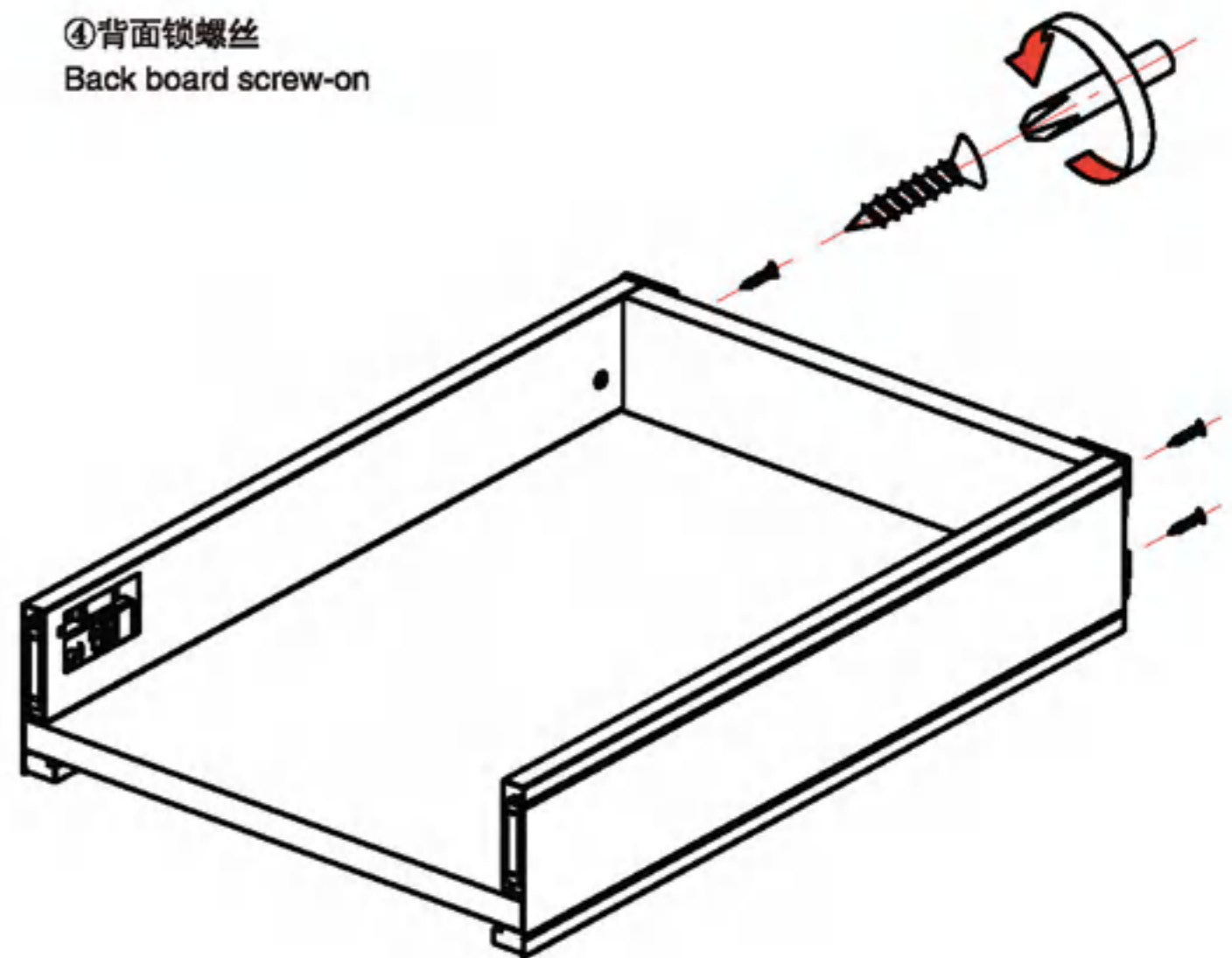
② 底面锁螺丝  
Screw on base board



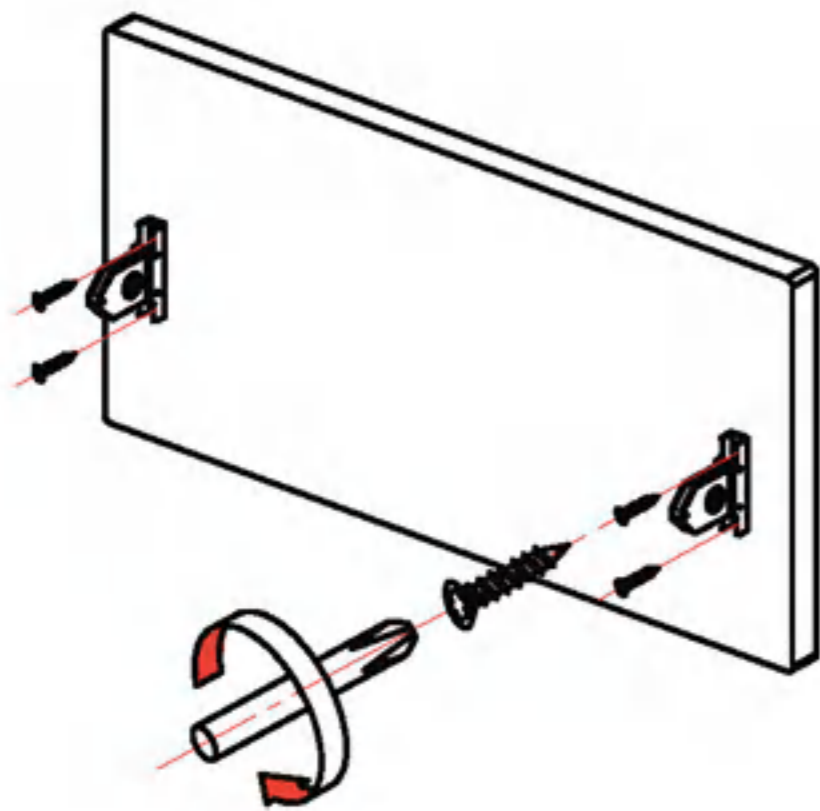
③ 插入背板并平齐  
Back board plug in



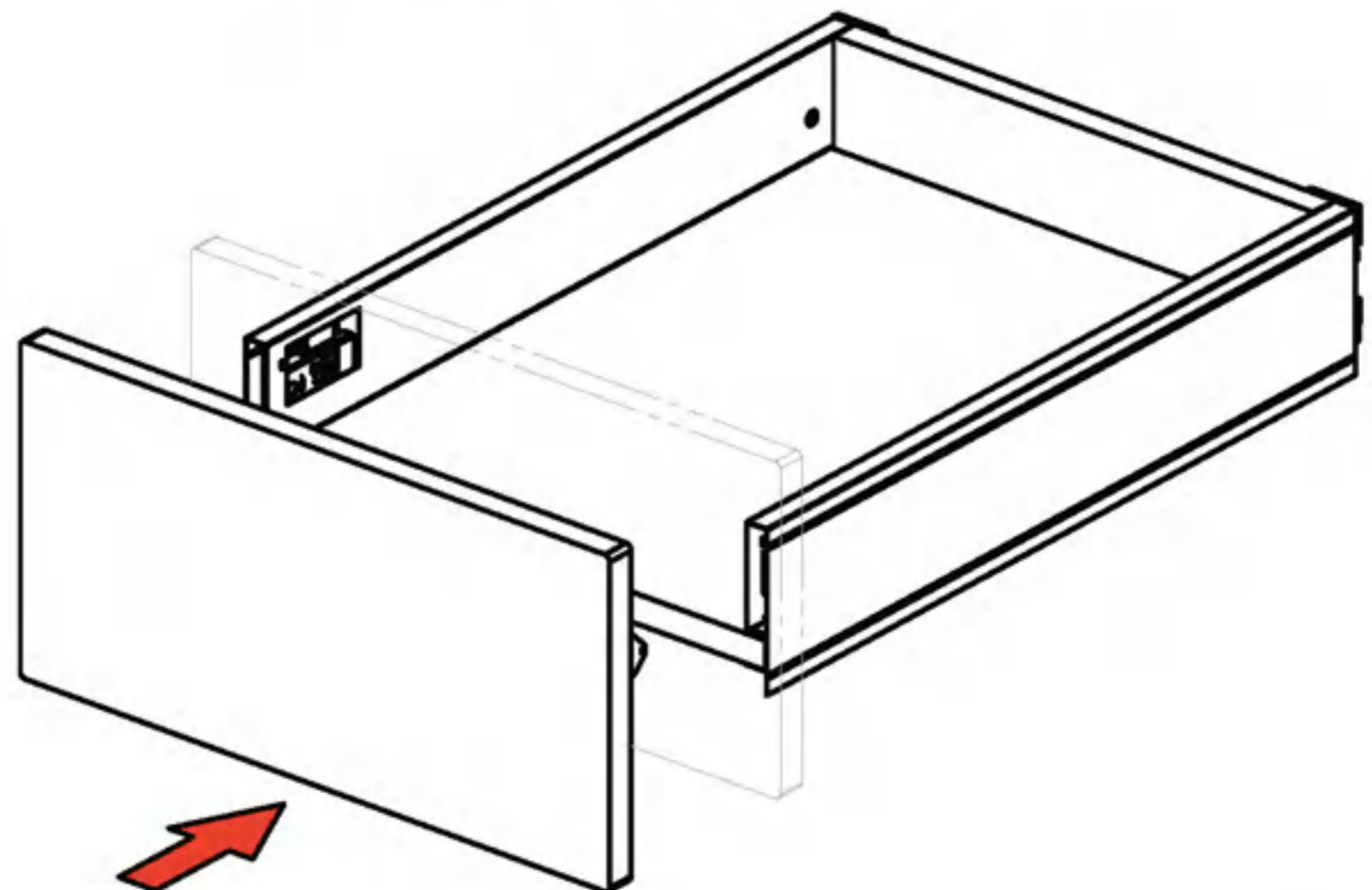
④ 背面锁螺丝  
Back board screw-on



⑤ 连接码锁入螺丝  
Front fixing bracket screw-on



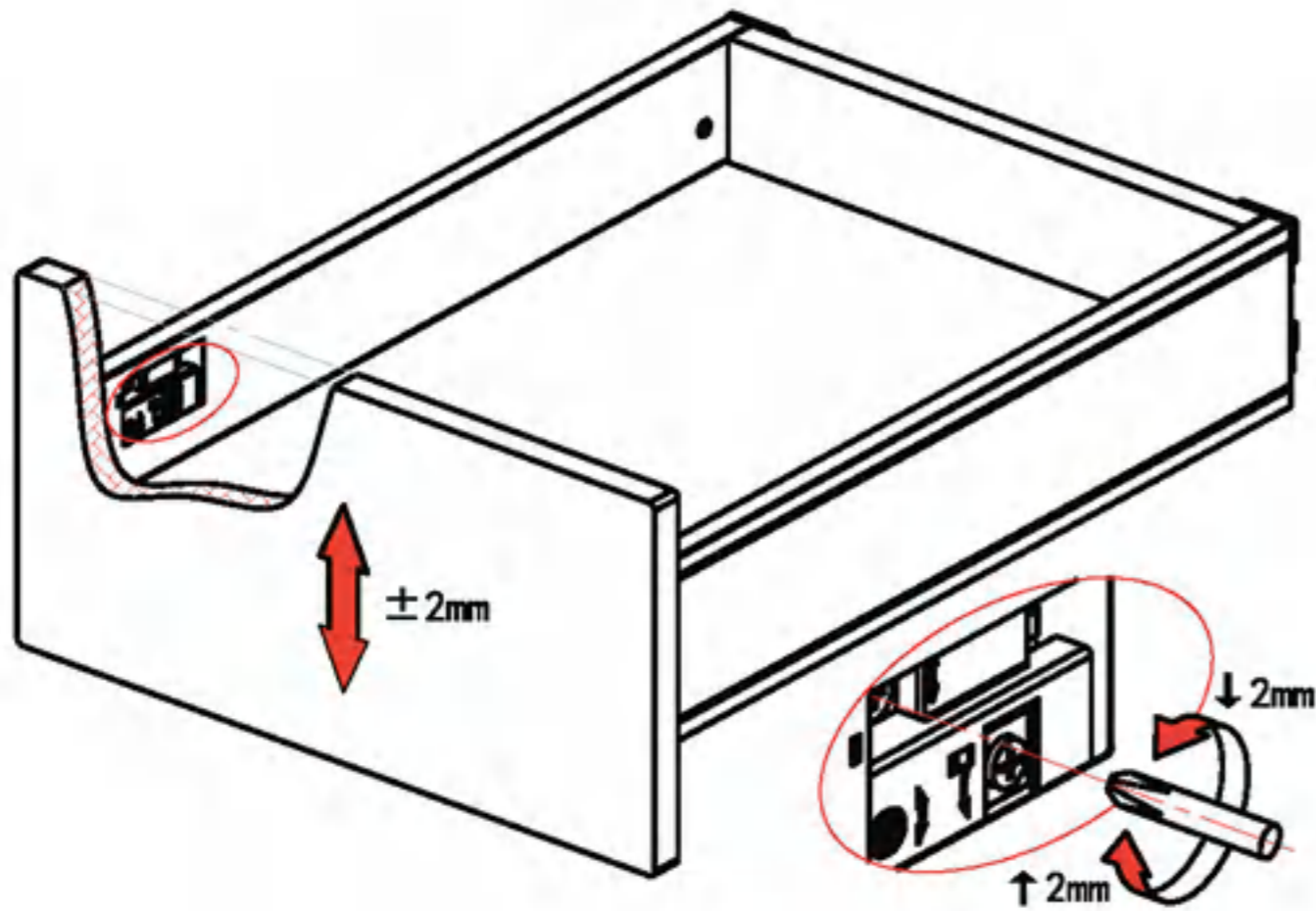
⑥ 连接码对齐卡入薄帮  
Front fixing bracket aligned with side drawer



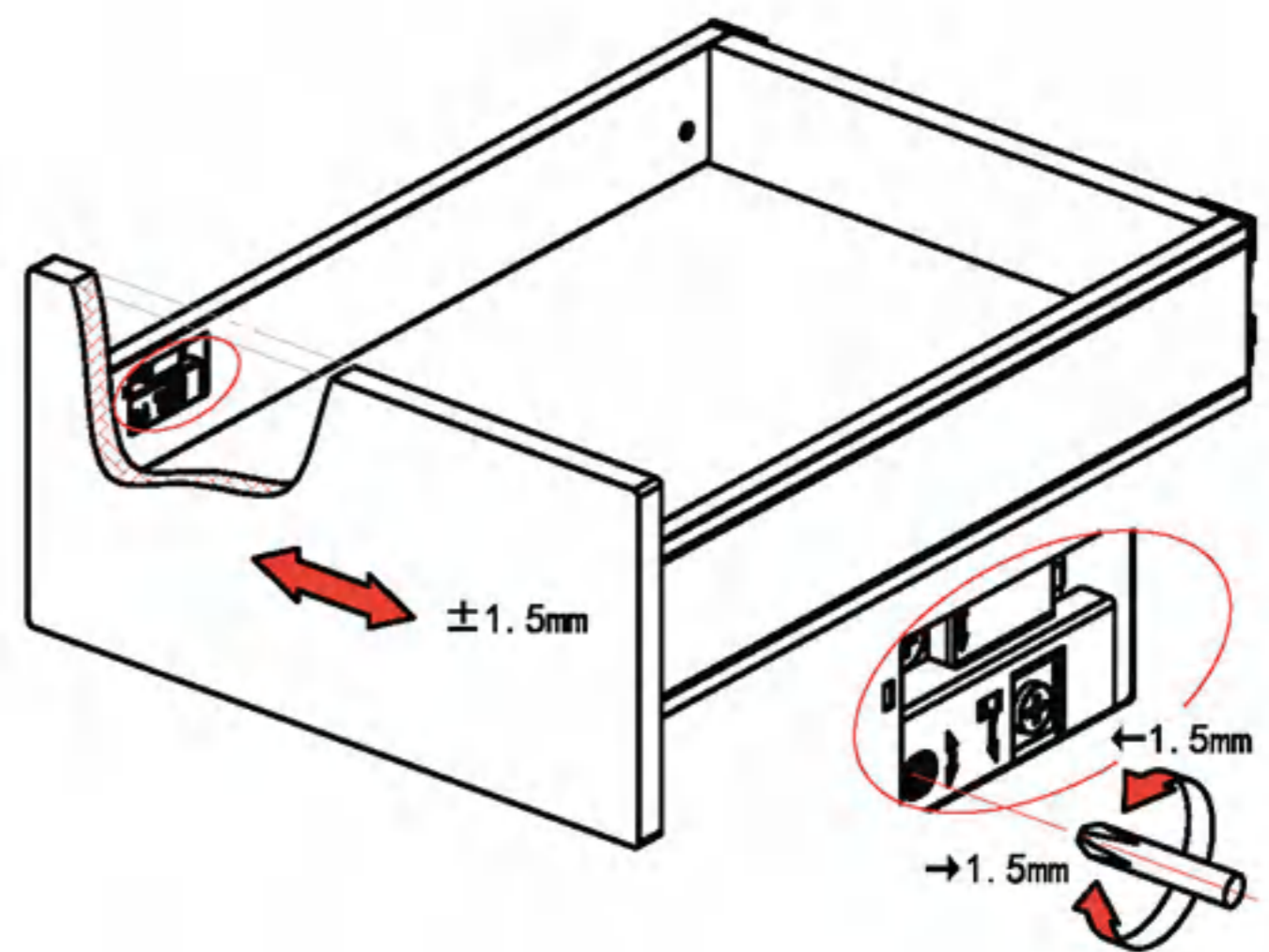


■ 抽屉安装和调节 Assembly and Adjustment

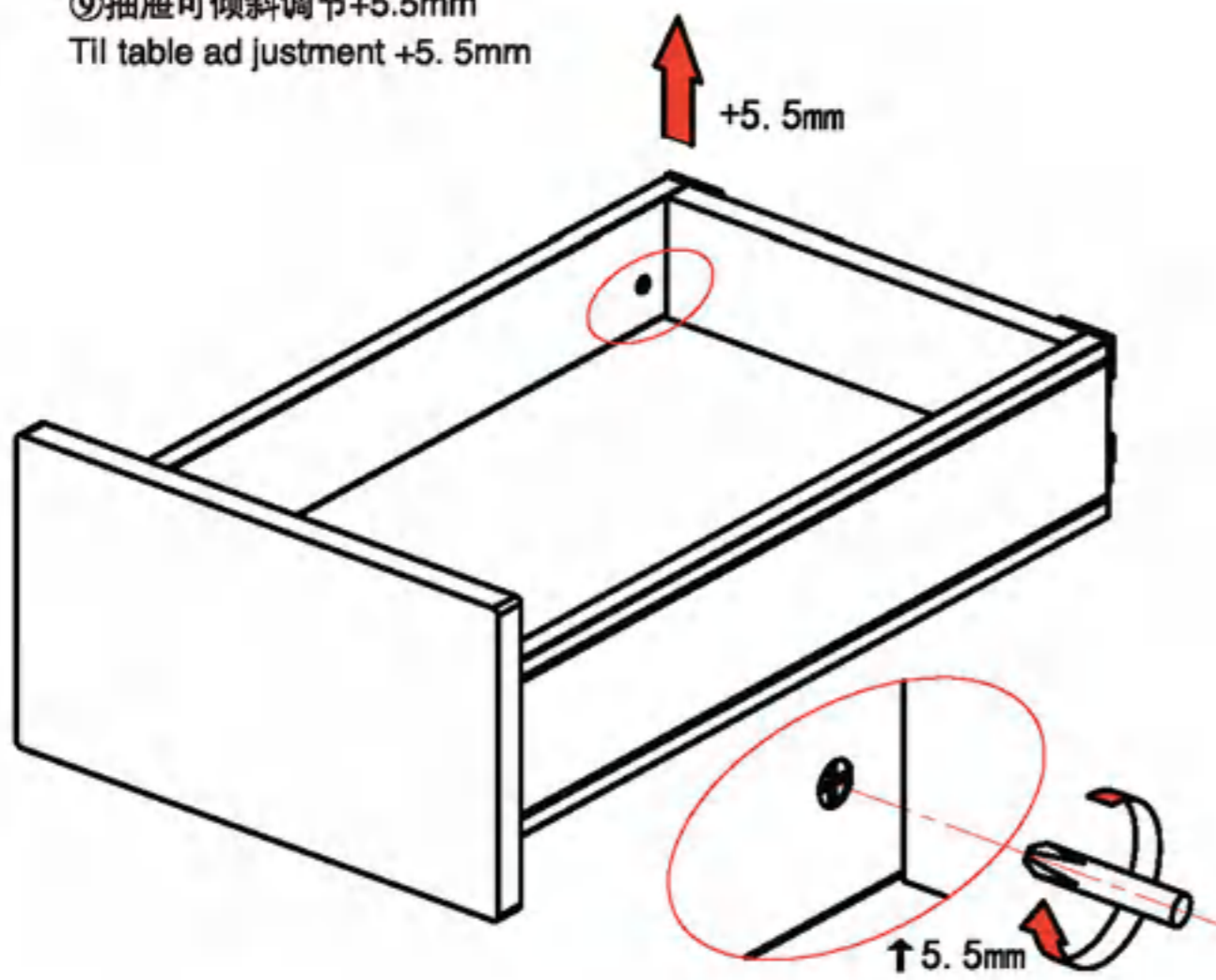
⑦ 面板可上下调节±2mm  
Front panel up and down adjustment 2mm



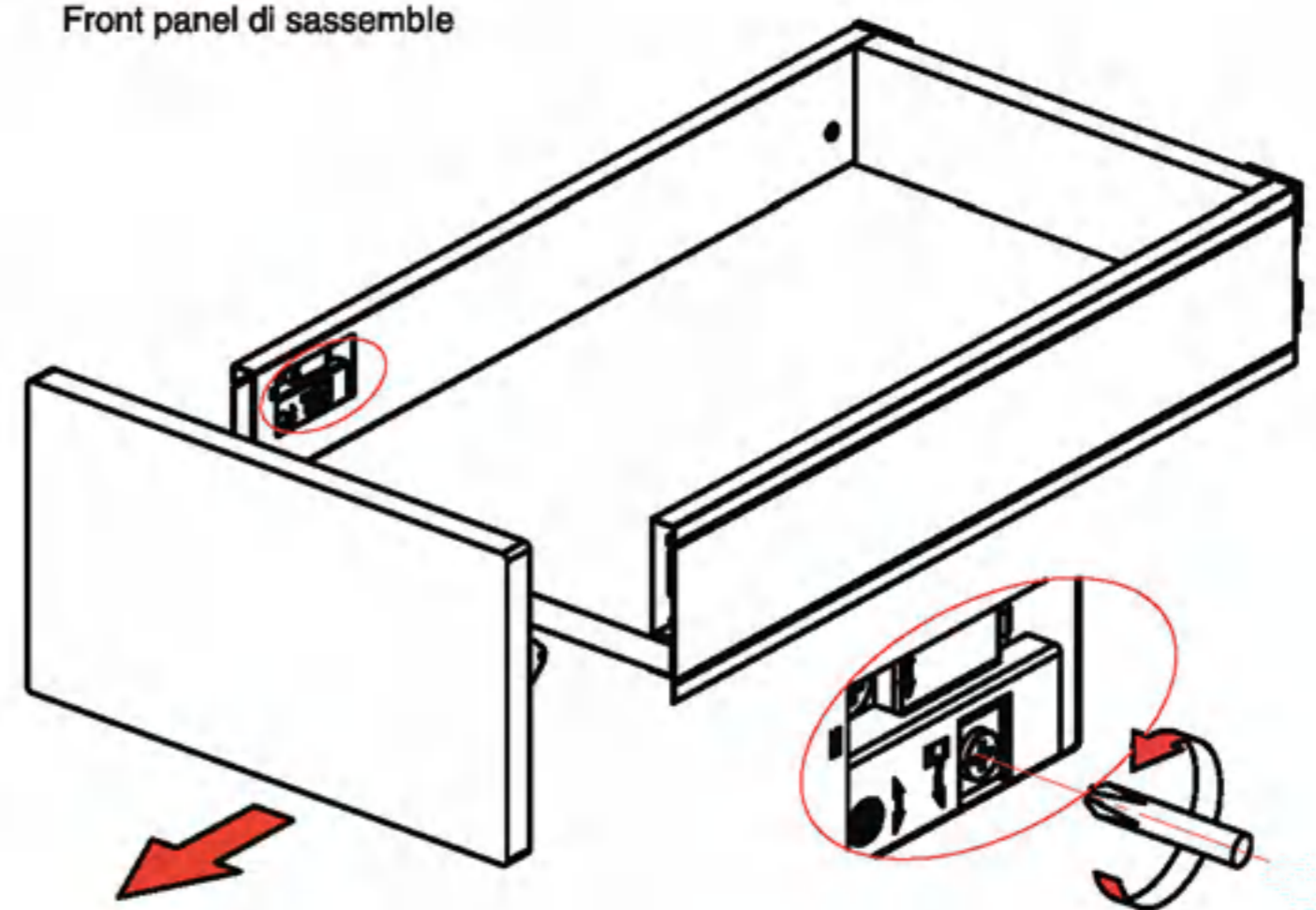
⑧ 面板可左右调节±1.5  
Front panel left and right adjustment 1.5mm



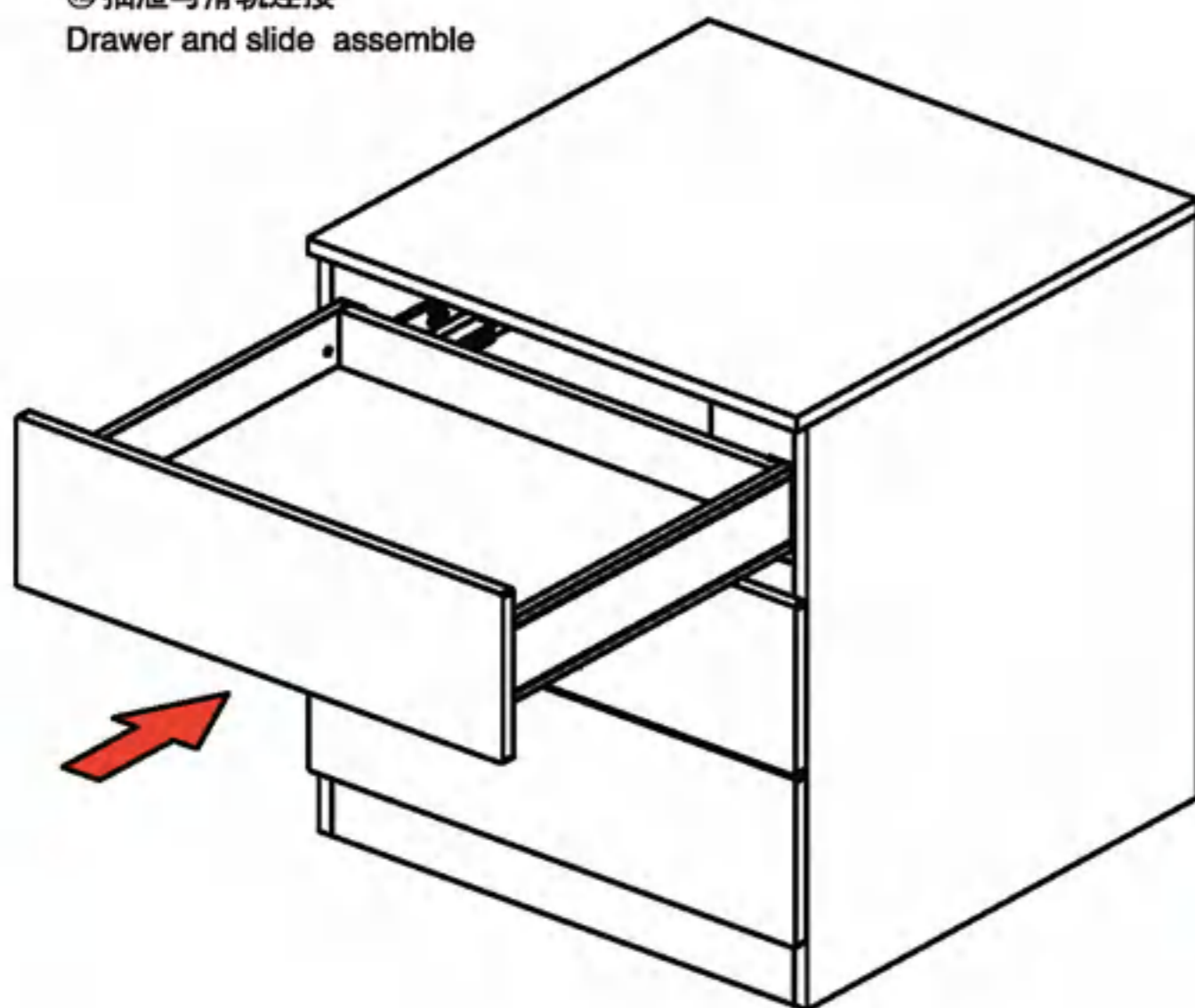
⑨ 抽屉可倾斜调节+5.5mm  
Tilt table adjustment +5.5mm



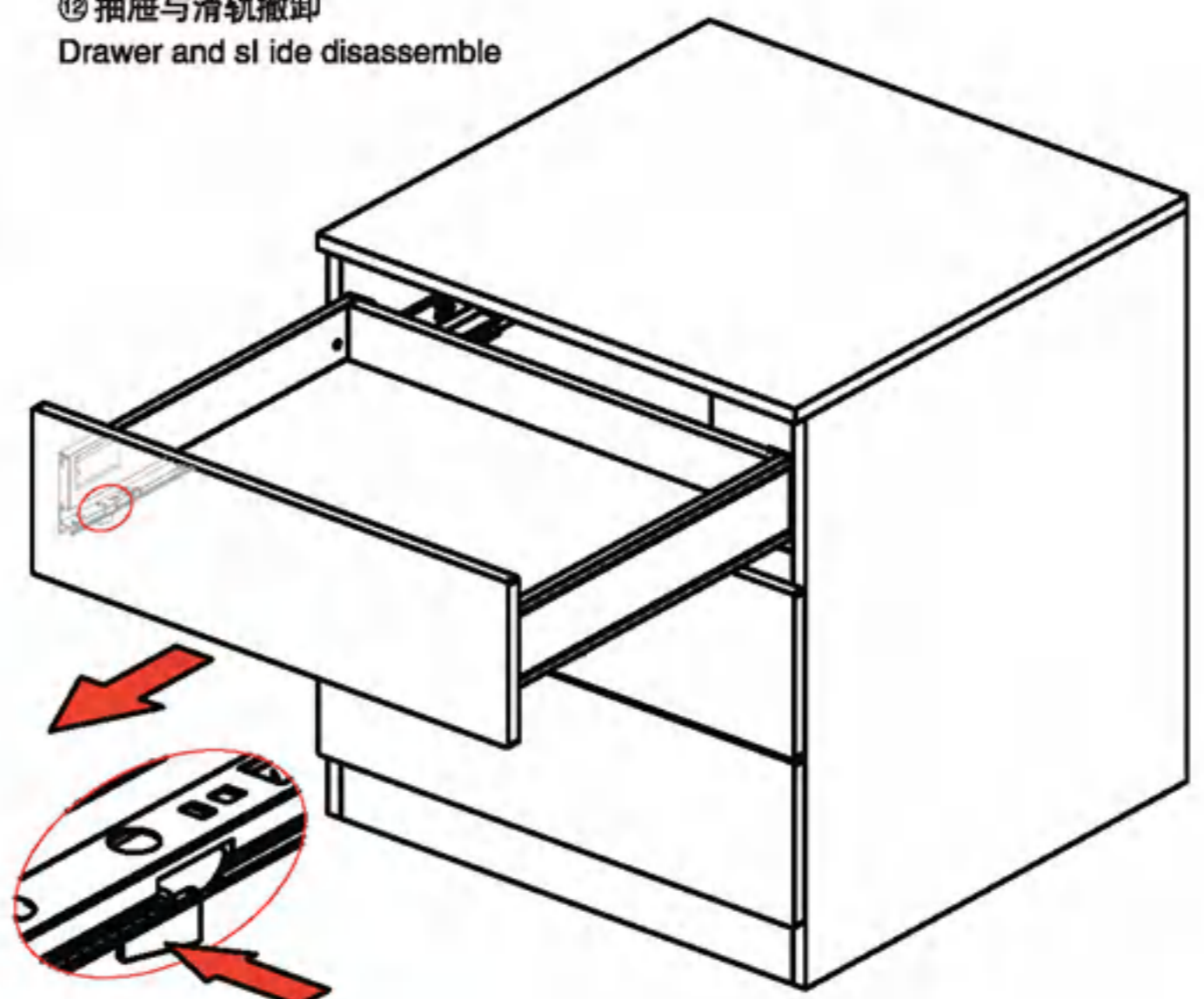
⑩ 面板可拆卸  
Front panel disassemble



⑪ 抽屉与滑轨连接  
Drawer and slide assemble



⑫ 抽屉与滑轨拆卸  
Drawer and slide disassemble





盛迪铂生抽屉  
Shengdi platinum drawer

# 盛迪莫妮卡抽屉

纤薄坚韧  
融合功能主义与极简艺术

Shengdi Monica Drawer

Slim and tough,  
combining functionalism with minimalist art.



# 触感柔和 质感高级

Soft to the touch premium texture



**刚韧稳固  
超强承重**

Firm, tough and stable with  
extraordinary load-bearing capacity



**滑轨同步滑动  
顺畅不卡顿**

Synchronized sliding rails,  
smooth and free of jamming



**阻尼缓冲  
轻柔闭合**

Damping buffer,  
gentle and quiet closing



**二维调节  
精准安装**

Two-dimensional adjustment  
for precise installation



**全展视野  
存取自如**

Full extension for clear view  
easy access and smooth operation



**防腐抗锈  
历久弥新**

Anti-corrosion and rust-resistant  
remains as new for years

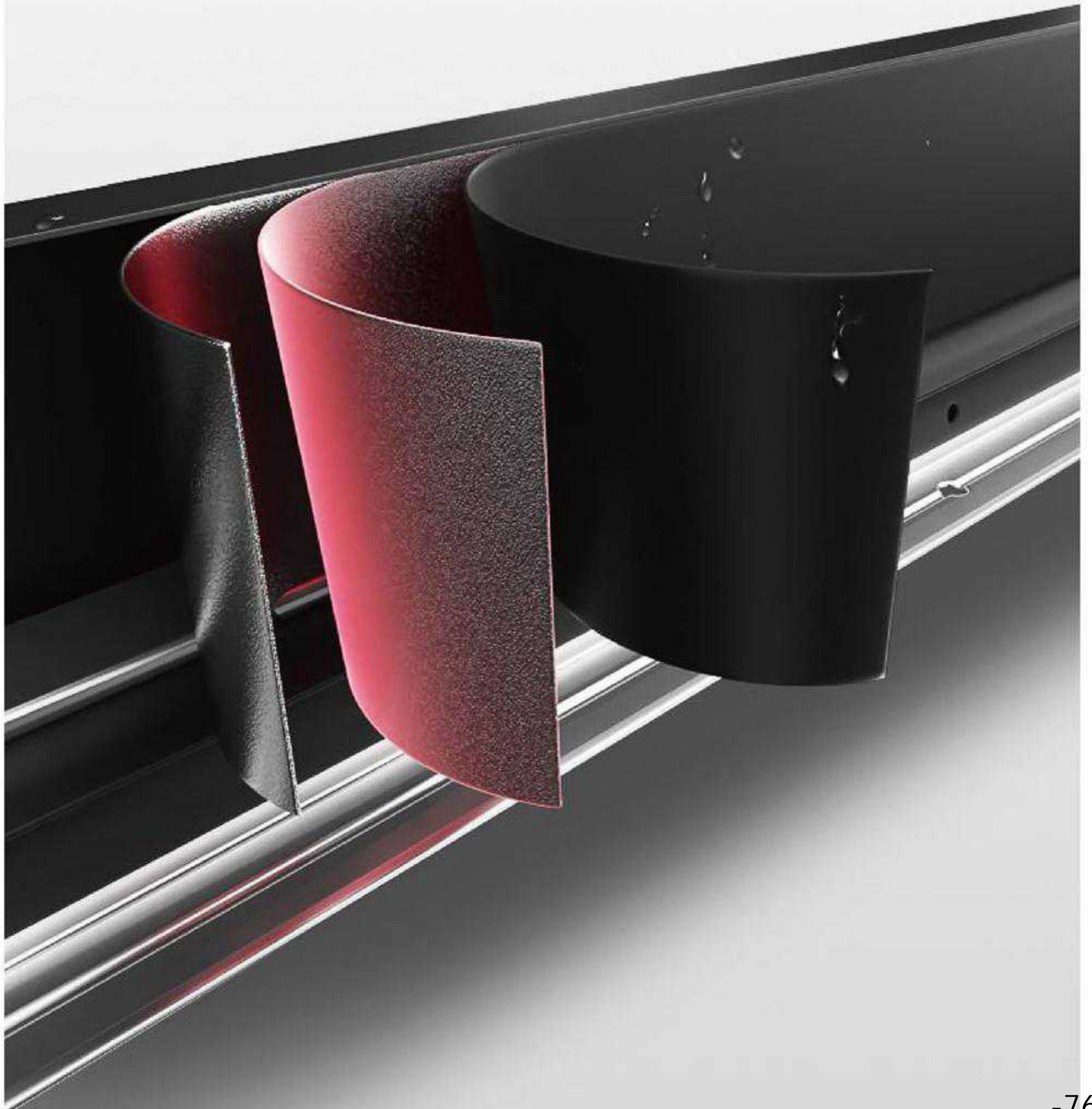


盛迪莫妮卡抽屉  
Shengdi monica drawer

## 历久弥新 适配各种环境

工艺考究, 防腐抗锈  
经得起潮湿、油烟环境的考验

Timeless and suitable for all environments  
Exquisite craftsmanship, anti-corrosion and rust-resistant,  
withstands moisture and oil fumes.



# 体验升级 样样出色

多种配件可选  
创造不同出众体验

Upgraded experience outstanding in every aspect

Upgraded experience, outstanding in every aspect.

Various accessories available for unique & superior using experience.



## 产品参数 Product Parameters

### 安装方式及示意图 Installation Method & Diagram

产品名称: MONICA 莫妮卡抽屉  
Product Name MONICA Drawer

产品材质: 镀锌板、冷轧钢  
Product Material Cold Rolled Steel/Galvanized Steel Sheet

承受重量: 45kg  
Load Capacity

侧帮厚度: 13mm  
Side Panel Thickness

滑轨功能: 集成阻尼系统  
Slide Rail Functions Integrated Damping System

高度选择: 84mm, 135mm, 167mm 199mm  
Height Selection

# HARDWARE

Professional Furniture

## GB882 钢板阻尼抽屉

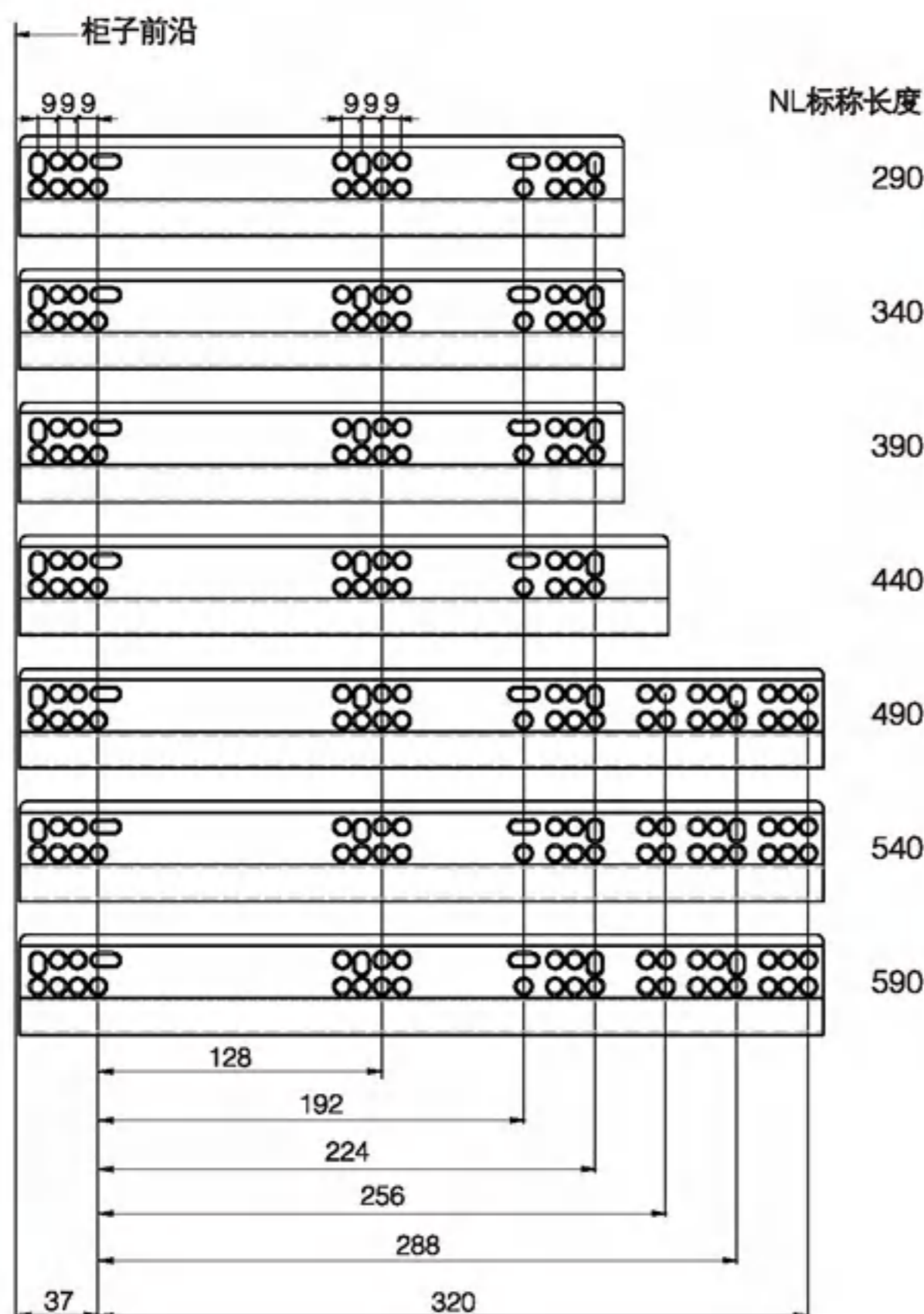
Steel plate damper drawer

- 载重35kg
- 表面:镀锌
- 长度: 290-590mm
- 滑轨为全拉出式
- Load capacity of 35kg
- Surface: galvanized
- Length: 290-590mm
- Full extension
- 无需工具, 抽屉可快速安装和拆卸
- 静音系统保证滑动运动流畅、轻松
- 面板左右调节量0~+4mm
- 上下调节量0~+4mm
- Quick installation and removal
- Quiet and smooth movement
- Adjustment:left and right 0~ + 4mm
- up and down 0~ +4mm

■ 产品 实图:

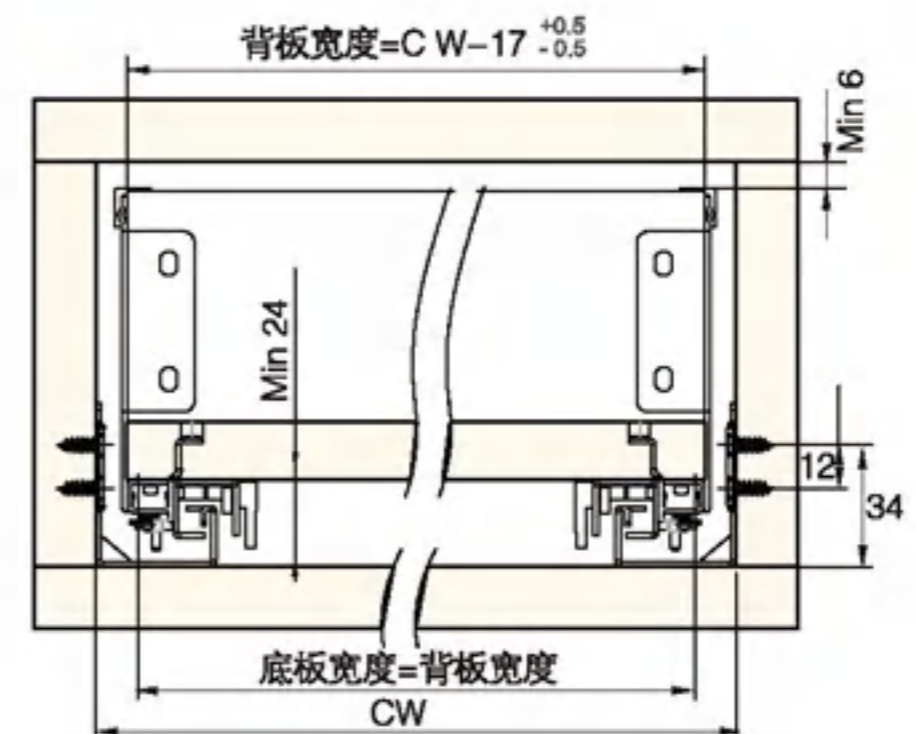


■ 滑轨安装孔尺寸(mm) Installation hole size (mm)



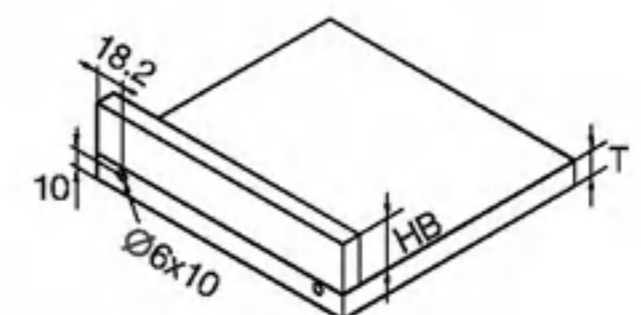
■ 滑轨安装尺寸(mm) Installation dimension (mm)

CW=柜子的内部宽度



■ 抽屉高度尺寸(mm) Drawer height dimension (mm)

- T=底板厚度
- 88款 T<19mm
  - 128款 T<39mm
  - 158款 T<54mm
- HB=背板高度尺寸(mm)
- 88款 HB=89-T
  - 128款 HB=129-T
  - 158款 HB=159-T

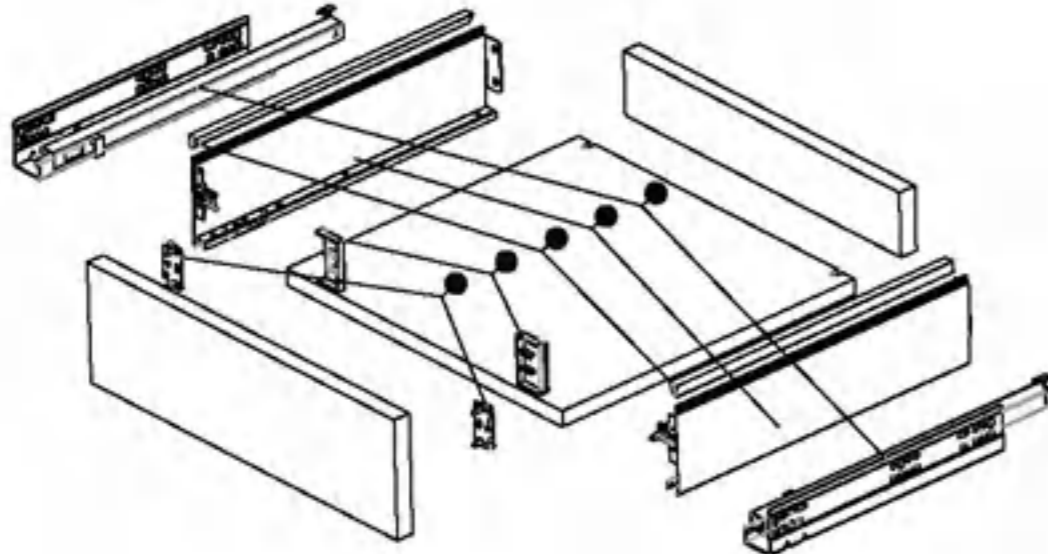




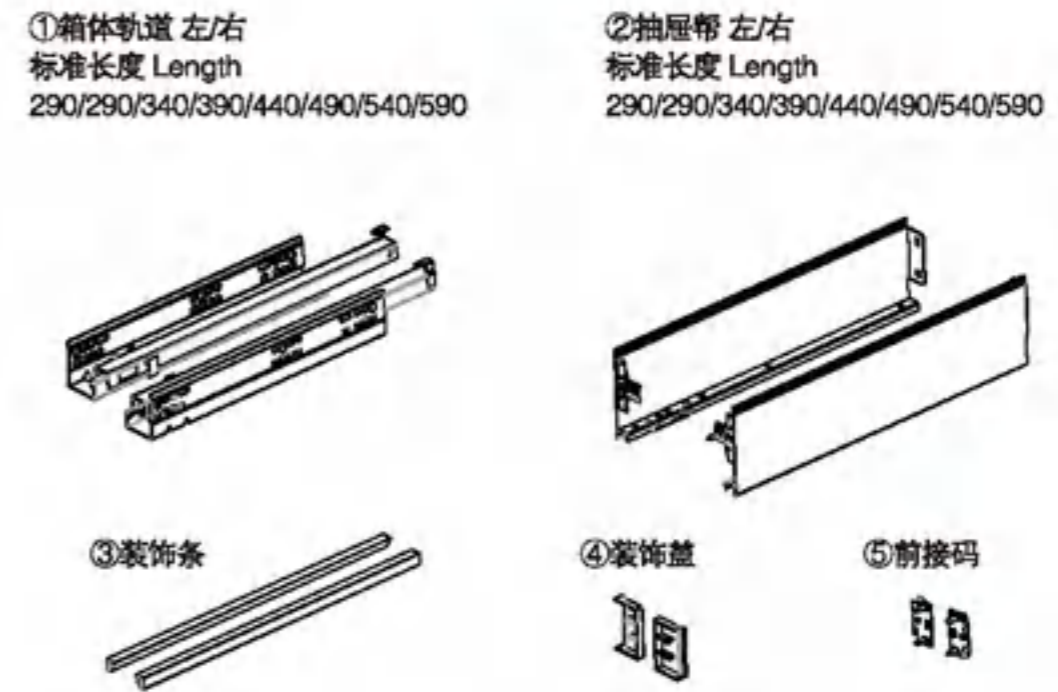
# GB882 钢板阻尼抽屉

Steel plate damper drawer

## 独立包装配件 Installation dimension (mm)



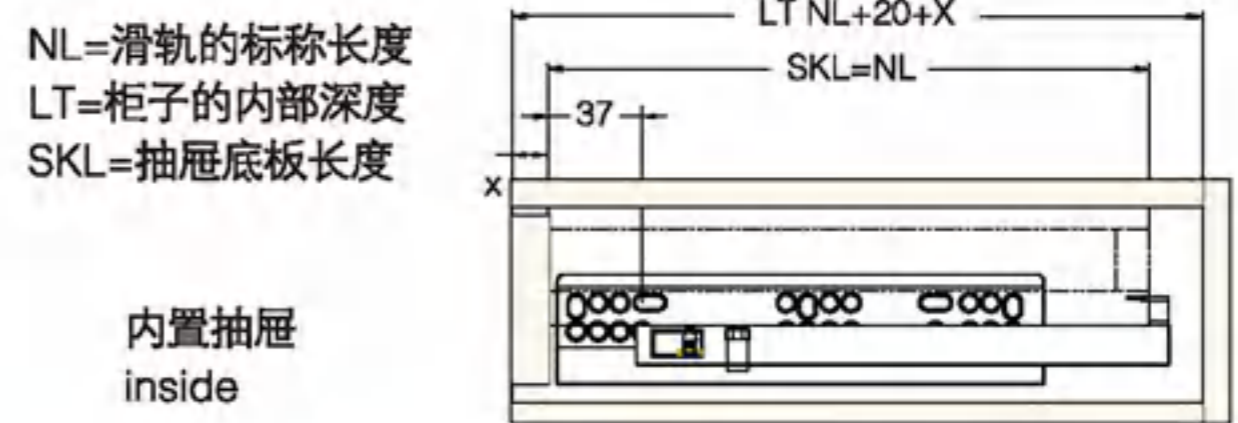
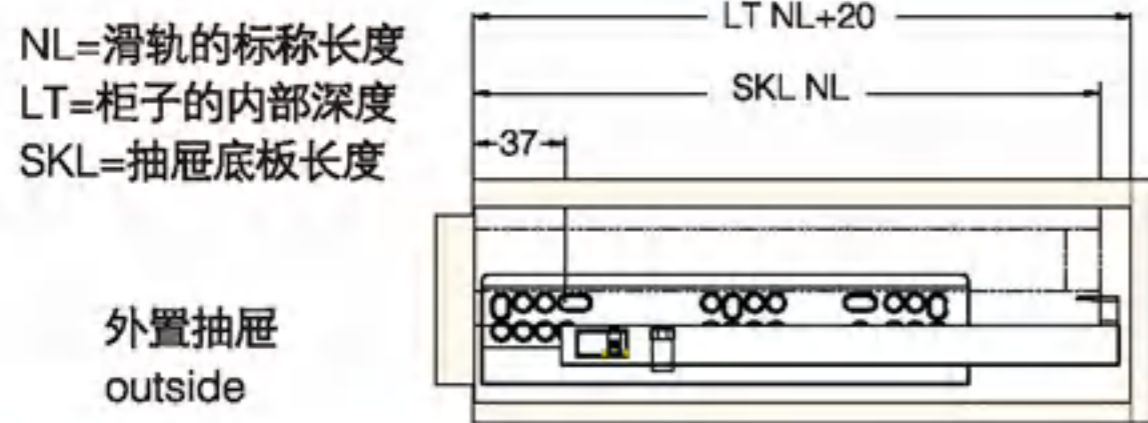
## 详细配件 Inside cabinet dimension (mm)



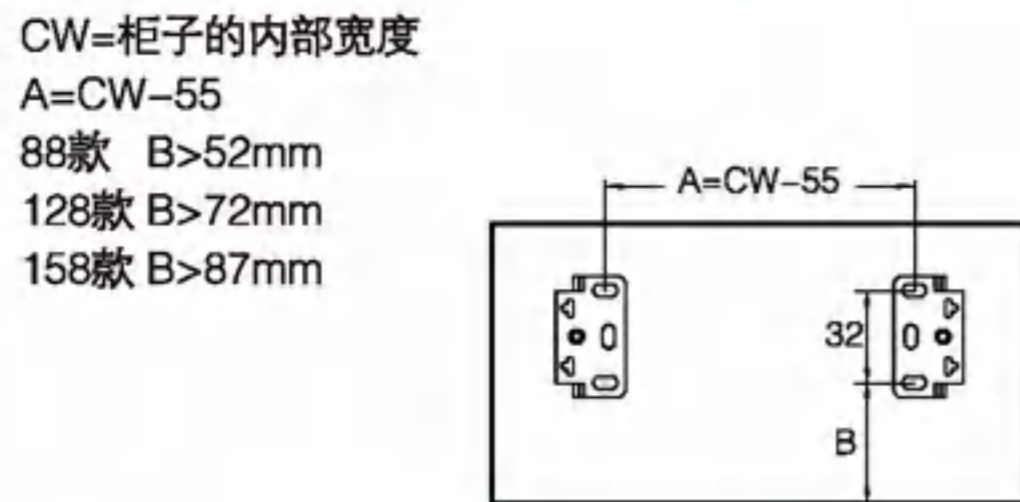
标称长度 Specification	订货号(阻尼抽屉) Order No(buffer)	套/箱 Sets/box	标称长度 Specification	订货号(阻尼抽屉) Order No(buffer)	套/箱 Sets/box	标称长度 Specification	订货号(阻尼抽屉) Order No(buffer)	套/箱 Sets/box
290mm	GB882-88-290	10sets	290mm	GB882-128-290	10sets	290mm	GB882-158-290	10sets
340mm	GB882-88-340	10sets	340mm	GB882-128-340	10sets	340mm	GB882-158-340	10sets
390mm	GB882-88-390	10sets	390mm	GB882-128-390	10sets	390mm	GB882-158-390	10sets
440mm	GB882-88-440	10sets	440mm	GB882-128-440	10sets	440mm	GB882-158-440	10sets
490mm	GB882-88-490	10sets	490mm	GB882-128-490	10sets	490mm	GB882-158-490	10sets
540mm	GB882-88-540	10sets	540mm	GB882-128-540	10sets	540mm	GB882-158-540	10sets
590mm	GB882-88-590	10sets	590mm	GB882-128-590	10sets	590mm	GB882-158-590	10sets

adjustment  
Up and down

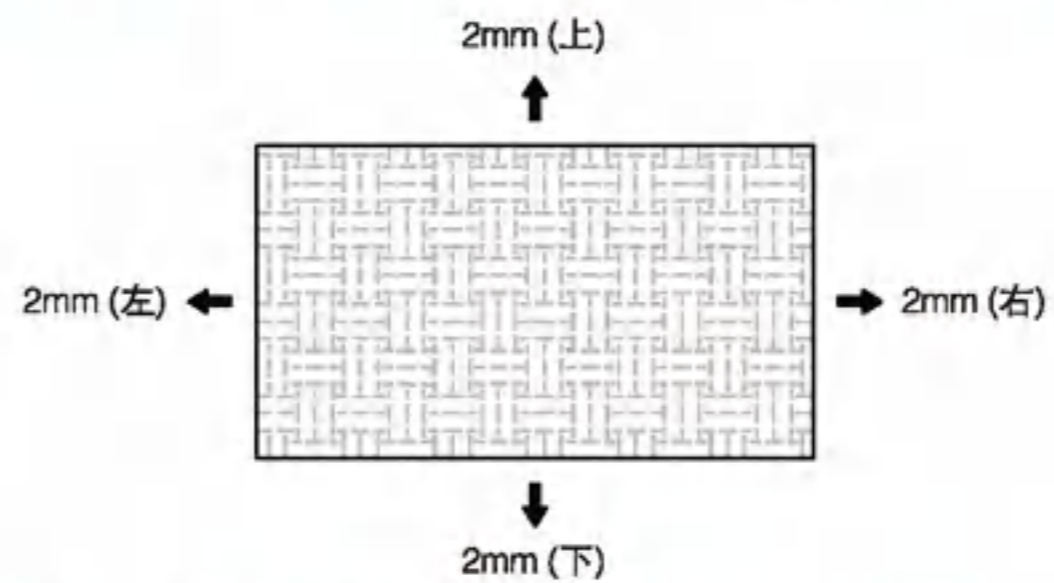
## 滑轨安装尺寸(mm) Installation dimension (mm)



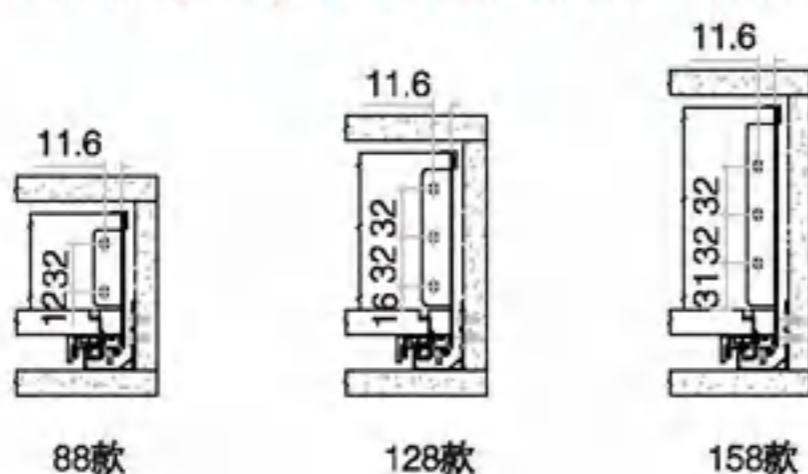
## 前接码与面板安装尺寸(mm) Front connector (mm)



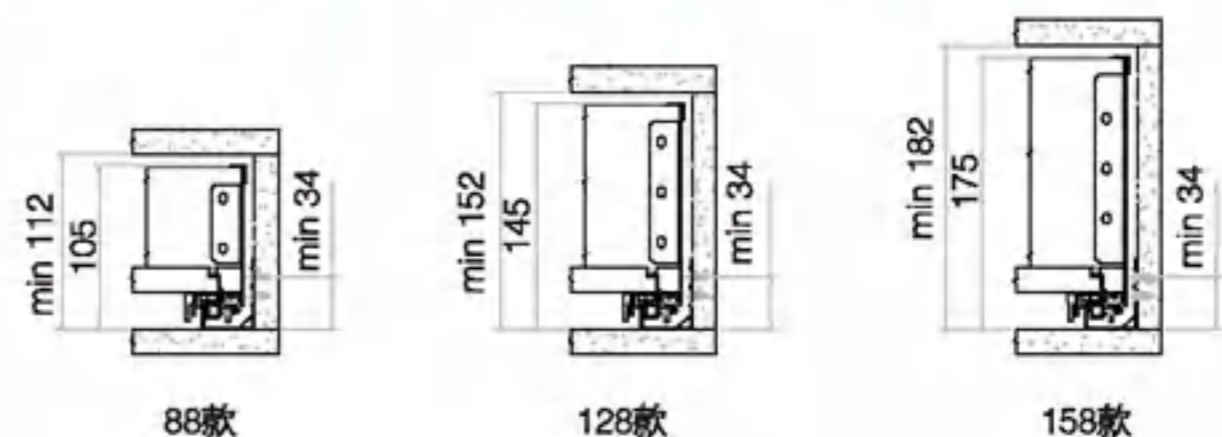
## 前面板调节量(mm) Front panel adjustment (mm)



## 柜体内所需高度(mm) Inside cabinet dimension (mm)



## 背板安装尺寸(mm) Back panel mouting positions (mm)





家具家居铰链系列

**FURNITURE**

household hinge serie



# G02 卡式35杯缓冲铰链 110°

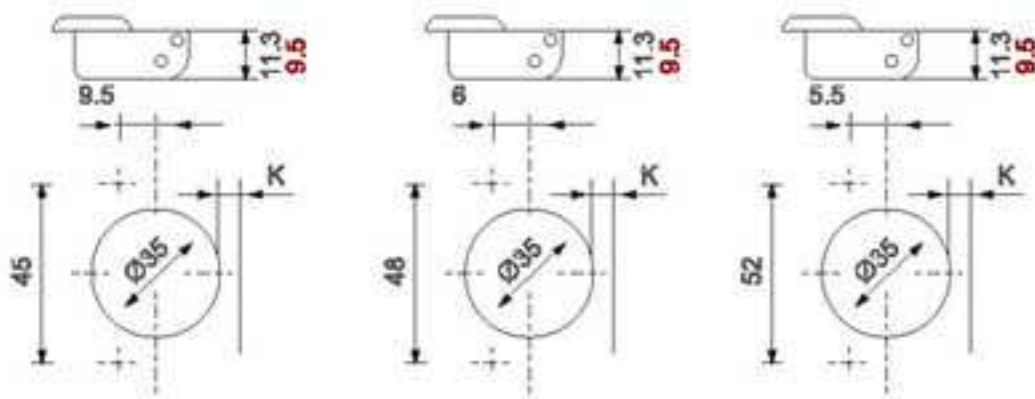
Clip-on Ø35 soft-closing hinge



### ■ 技术参数 Technical parameters

开启角度 Opening angle	110°
铰杯厚度 Depth of hinge cup	11.3mm
铰杯直径 Diameter of hinge cup	35mm
面板(K)尺寸 Door(K) dimension	3-7mm
门可选用板厚 Range of door thickness	14-23mm

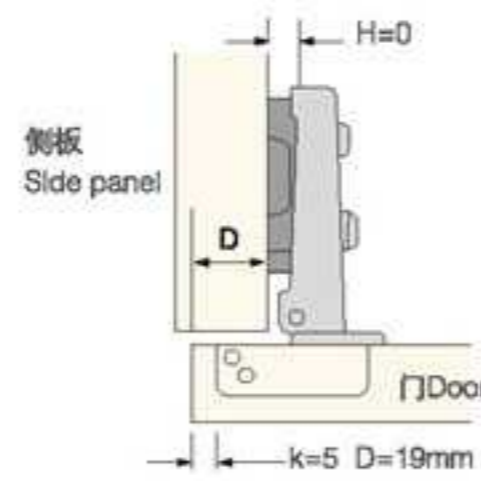
### ■ 铰杯种类 Hinge cup types:



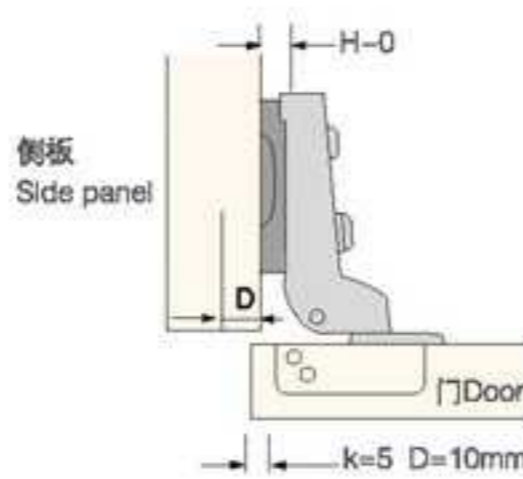
### ■ Ø35mm 铰链应用实例: Application examples of Ø35mm hinge

H=安装板高度  
 D=侧板上所需盖位  
 K=门板外线与铰链杯钻孔距离  
 A=门与侧板间隙

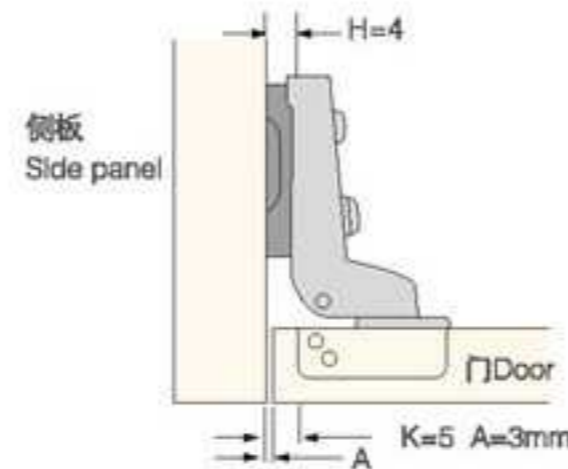
H=Height of mounting plate  
 D=Required overlay on the side panel  
 K=Distance between door edge and drilling holes on hinge cup  
 A=Gap between mounting plate and side panel



D \ H \ K	3	4	5	6	7
0	17	18	19	20	21
2	15	16	17	18	19
4	13	14	15	16	17



D \ H \ K	3	4	5	6	7
0	8	9	10	11	12
2	6	7	8	9	10
4	4	5	6	7	8

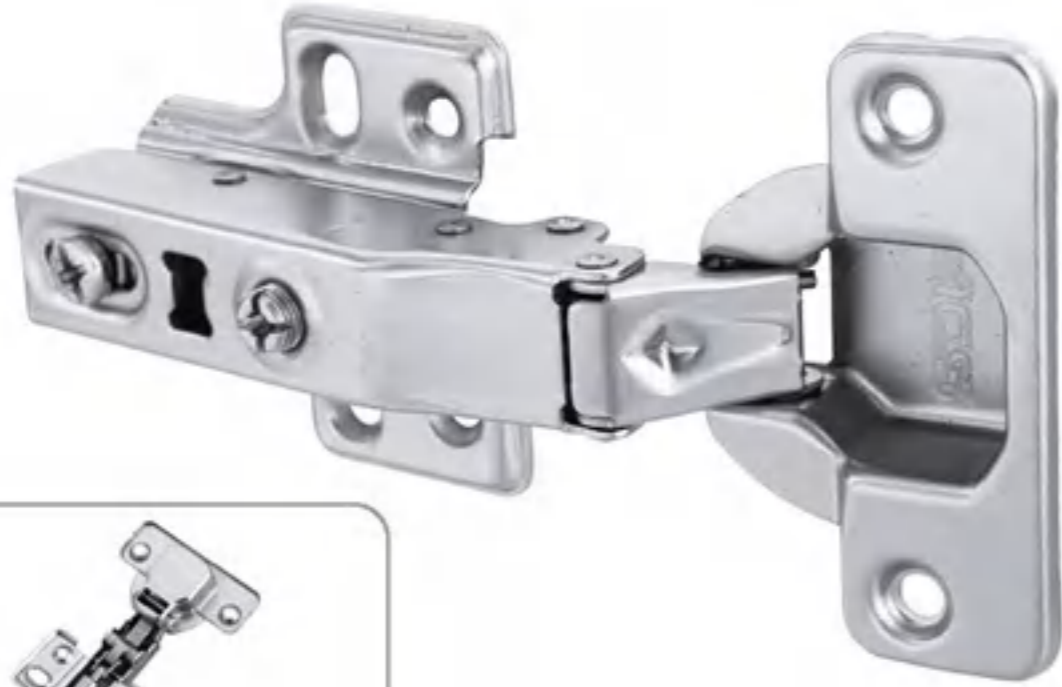


D \ H \ K	3	4	5	6	7
0	1	0	-1	-2	-3
2	3	2	1	0	-1
4	5	4	3	2	1

### ■ 可选配 Options:



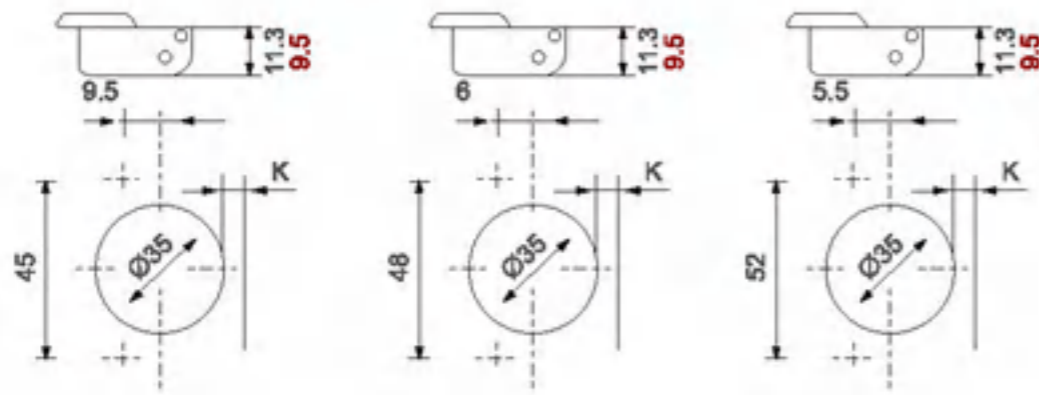
**G01 固式35杯缓冲铰链110°**  
Solid Ø35 soft-closing hinge



■ **技术参数 Technical parameters**

开启角度 Opening angle	110°
铰杯厚度 Depth of hinge cup	11.3mm
铰杯直径 Diameter of hinge cup	<b>35mm</b>
面板(K)尺寸 Door(K) dimension	3-7mm
门可选用板厚 Range of door thickness	14-23mm

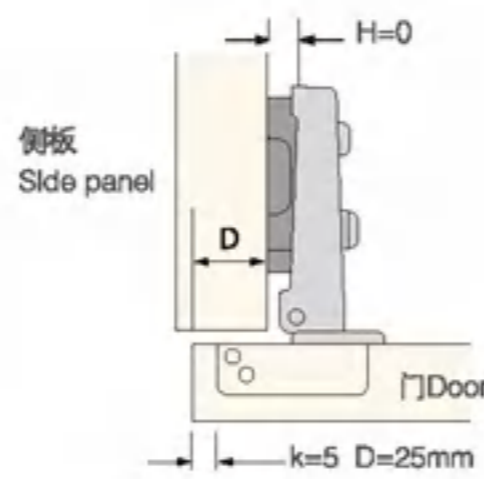
■ **铰杯种类 Hinge cup types:**



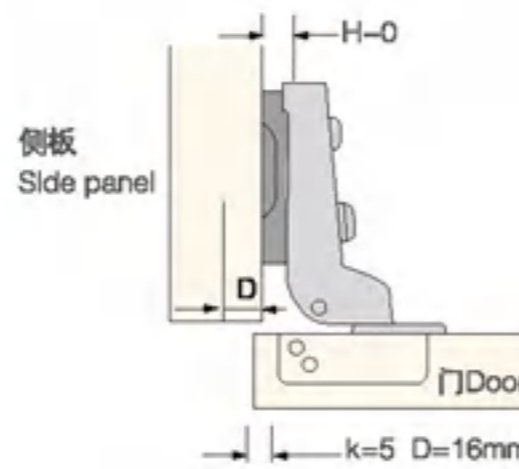
■ **Ø35mm铰链应用实例:**  
Application examples of Ø35mm hinge

H=安装板高度  
D=侧板上所需盖位  
K=门板外线与铰链杯钻孔距离  
A=门与侧板间隙

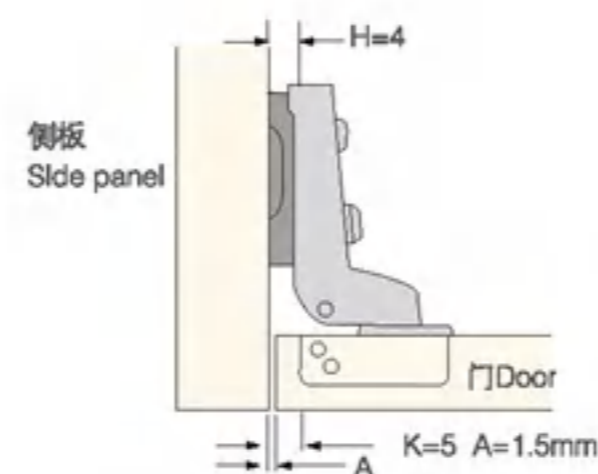
H=Height of mounting plate  
D=Requirde overlay on the side panel  
K=Distance between door edge and drilling holes on hinge cup  
A=Gap between mounting plate and side panel



D \ K	3	4	5	6	7
0	17	18	19	20	21
2	15	16	17	18	19
4	13	14	15	16	17



D \ K	3	4	5	6	7
0	8	9	10	11	12
2	6	7	8	9	10
4	4	5	6	7	8



D \ K	3	4	5	6	7
0	1	0	-1	-2	-3
2	3	2	1	0	-1
4	5	4	3	2	1

■ **可选配 Options:**



ACHDC 臂盖  
Arm cap

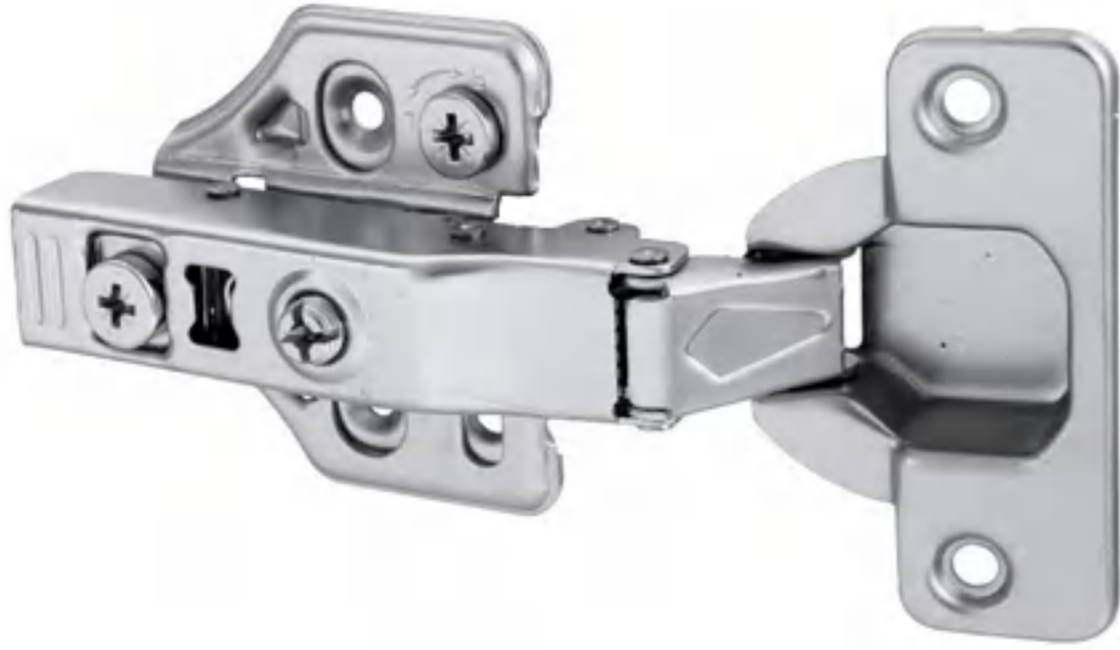


CC 杯盖  
CC cap



# G03 三维可调卡式35杯缓冲铰链 110°

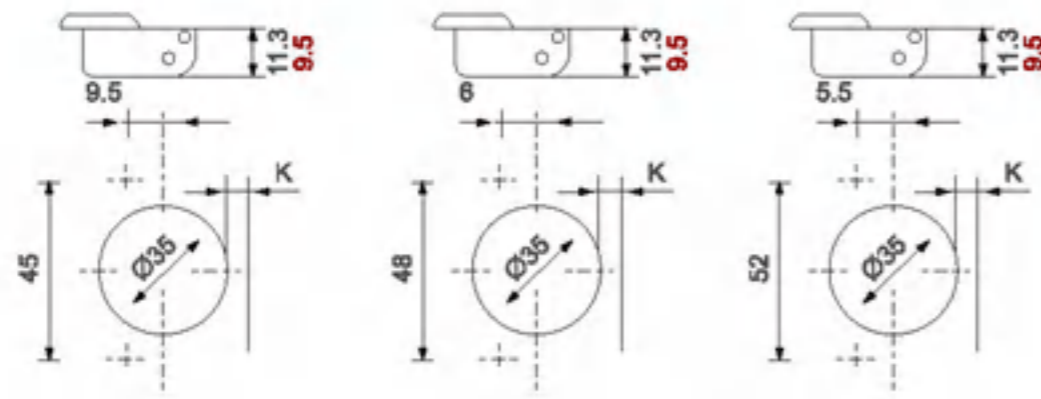
Three-dimensional adjustable Clip-on Ø35 soft-closing hinge



### ■ 技术参数 Technical parameters

开启角度 Opening angle	110°
铰杯厚度 Depth of hinge cup	11.3mm
铰杯直径 Diameter of hinge cup	<b>35mm</b>
面板(K)尺寸 Door(K) dimension	3-7mm
门可选用板厚 Range of door thickness	14-23mm

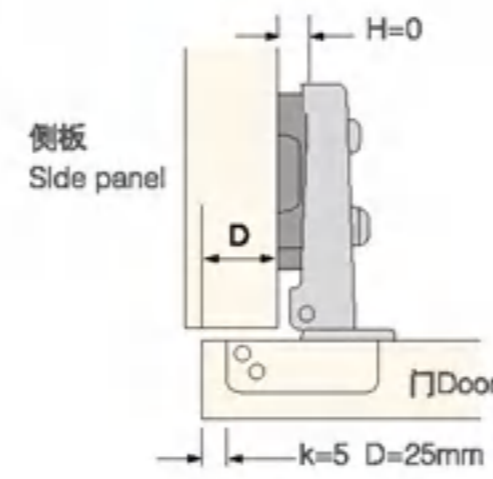
### ■ 铰杯种类 Hinge cup types:



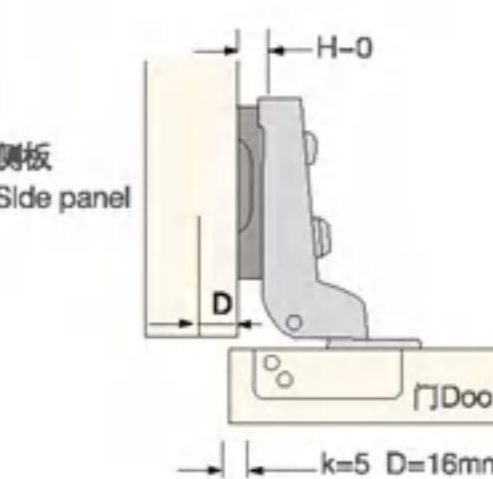
### ■ Ø35mm 铰链应用实例: Application examples of Ø35mm hinge

H=安装板高度  
 D=侧板上所需盖位  
 K=门板外线与铰链杯钻孔距离  
 A=门与侧板间隙

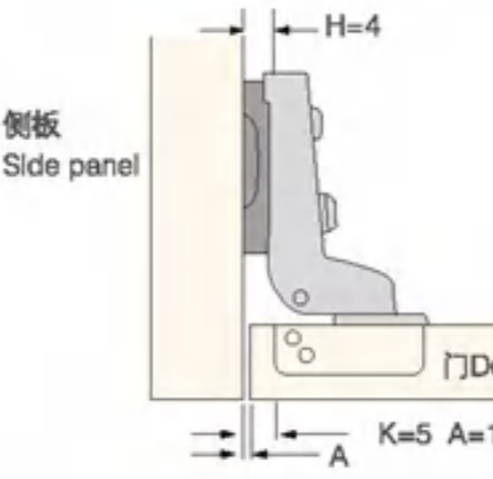
H=Height of mounting plate  
 D=Requirde overlay on the side panel  
 K=Distance between door edge and drilling holes on hinge cup  
 A=Gap between mounting plate and side panel



D \ H \ K	3	4	5	6	7
0	17	18	19	20	21
2	15	16	17	18	19
4	13	14	15	16	17



D \ H \ K	3	4	5	6	7
0	8	9	10	11	12
2	6	7	8	9	10
4	4	5	6	7	8



D \ H \ K	3	4	5	6	7
0	1	0	-1	-2	-3
2	3	2	1	0	-1
4	5	4	3	2	1

### ■ 可选配 Options:



ACHDC 臂盖  
Arm cap



CC 杯盖  
CC cap

# HARDWARE

Professional Furniture



**SD11310** 大粗反弹器强磁 85mm  
Strong magnetic heavy-duty rebounder



**SD11312** 大粗反弹器胶头 85mm  
Heavy-duty rebounder



**SD11311** 小粗反弹器强磁 60mm  
Small heavy-duty rebounder with strong magnet



**SD11313** 小粗反弹器胶头 60mm  
Small heavy-duty rebounder with rubber head



**SD11314** 大粗反弹器胶头 黑色 白色  
Large heavy-duty rebounder with rubber head Black / White



**SD11315** 反弹器强磁  
Strong magnetic rebounder



**SD11316** 反弹器强磁  
Strong magnetic rebounder



**SD11317** 反弹器强磁  
Strong magnetic rebounder



FINE QUALITY, RELIABLE DURABLE

精致品质 可靠耐用

■ 产品 Product



**蒸烤箱铰链**  
Steam Oven Hinge

■ 产品 Product



**蒸烤箱铰链**  
Steam Oven Hinge

蒸烤箱铰链  
Steam Oven Hinge Series

■ 产品 Product



蒸烤箱铰链  
Steam Oven Hinge

■ 产品 Product



蒸烤箱铰链  
Steam Oven Hinge

■ 产品 Product



**蒸烤箱铰链**  
Steam Oven Hinge

■ 产品 Product



**蒸烤箱铰链**  
Steam Oven Hinge

本目录所提供的数据仅供参考，以产品为准，如有改动，恕不另行通知，最终解释权属本公司所有

All figures on this catalogue are for reference only and subjected to actual products. We will not keep you informed for any change, which will be finally explained by our company.

## 佛山市盛迪金属制品有限公司

FOSHAN SHENG DE METAL PRODUCTS CO.LTD

地址：广东省佛山市顺德区勒流街道稔海村环村西路12号

Add: No. 12, Huancheng West Road, Renhai Village,  
Le Liu Sub-district, Shunde District, Foshan City,  
Guangdong Province

电话：+86-757-28102370

Website: fs-sdip.com



微信小程序画册



扫一扫.有惊喜